

MIRATOHET  
BASHKIA BULQIZË  
KRYETARI

---

Z. LEFTER ALLA

**PROJEKT**

**Z B A T I M I**

**OBJEKTI**

**NDËRTIM SISTEM KANALIZIMESH DHE IMPIANT TRAJTIMI  
TË UJËRAVE TË NDOTURA NË QYTETIN BULQIZË E RE**

**AUTORITETI  
KONTRAKTOR**

**BASHKIA BULQIZË**

**KONSULENTI**

**“ERALD-G” Shpk**

**VITI 2022**

# PLANIMETRIA

# E PËRGJITHSHME

**OBJEKTI**

**NDËRTIM SISTEM KANALIZIMESH DHE IMPIANT TRAJTIMI  
TË UJËRAVE TË NDOTURA NË QYTETIN BULQIZË E RE**

**AUTORITETI  
KONTRAKTOR**

**BASHKIA BULQIZË**

**KONSULENTI**

**“ERALD-G” Shpk**

**VITI 2022**

# PROFILI

# GJATËSOR

**OBJEKTI**

**NDËRTIM SISTEM KANALIZIMESH DHE IMPIANT TRAJTIMI  
TË UJËRAVE TË NDOTURA NË QYTETIN BULQIZË E RE**

**AUTORITETI  
KONTRAKTOR**

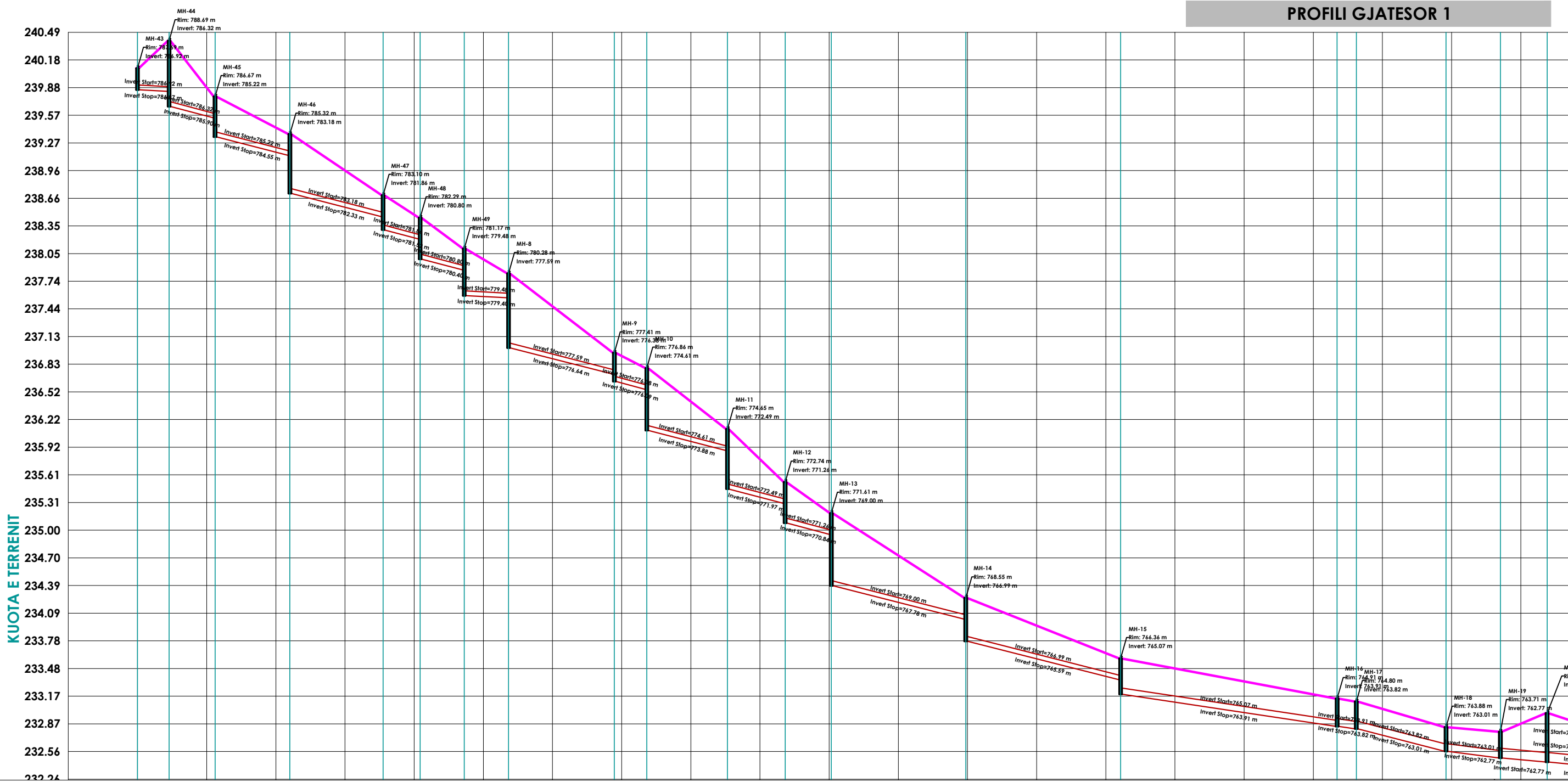
**BASHKIA BULQIZË**

**KONSULENTI**

**“ERALD-G” Shpk**

**VITI 2022**

PROFILI GJATESOR 1

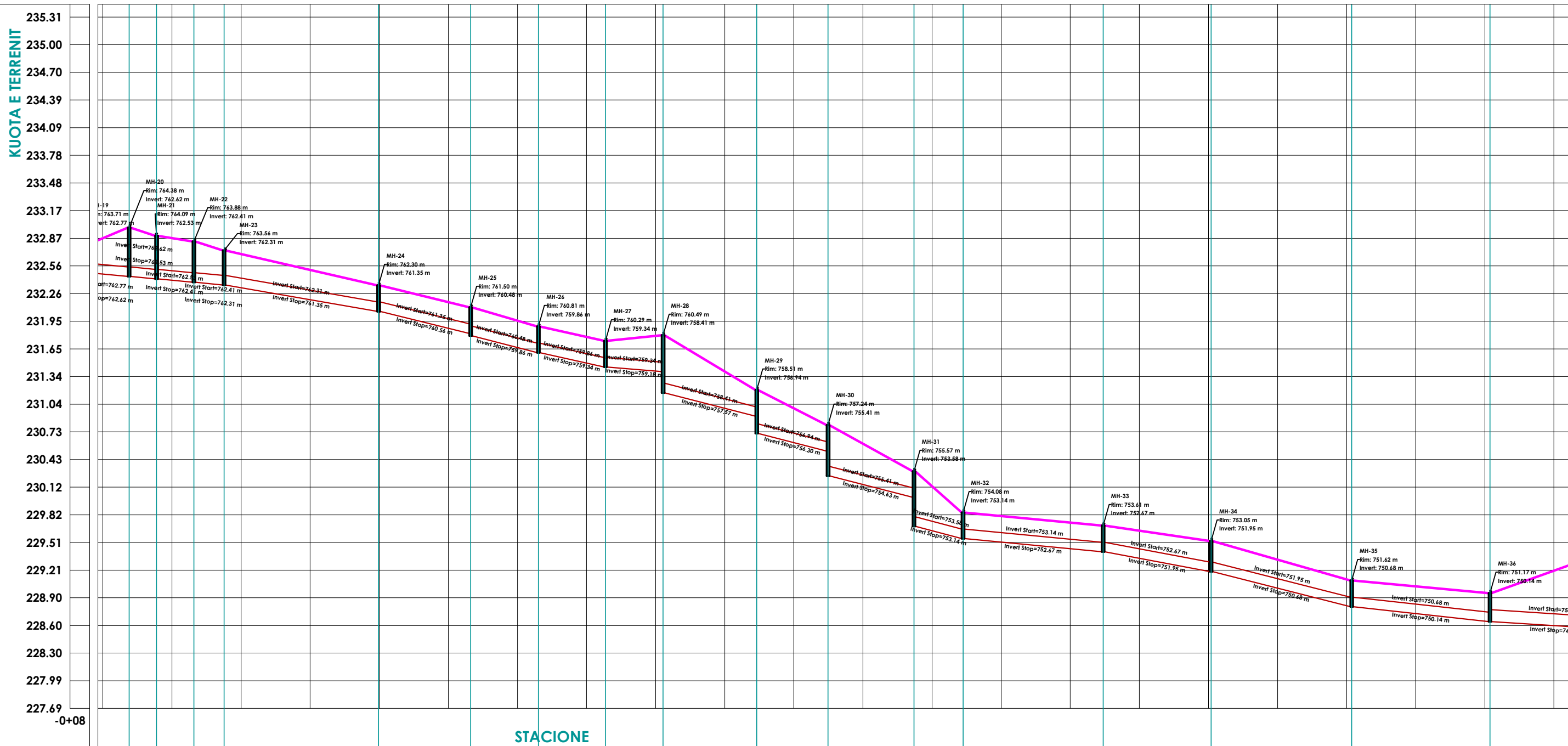


STACIONE

| Element ID\Label     | 117\CO-86 | 119\CO-88 | 121\CO-90 | 123\CO-92 | 125\CO-94 | 127\CO-96 | 128\CO-98 | 46\CO-16 | 48\CO-18 | 50\CO-20 | 52\CO-22 | 54\CO-24 | 56\CO-26 | 58\CO-28 | 60\CO-30 | 62\CO-32 | 64\CO-34 | 66\CO-36 | 68\CO-38 | 70\CO-40 |          |
|----------------------|-----------|-----------|-----------|-----------|-----------|-----------|-----------|----------|----------|----------|----------|----------|----------|----------|----------|----------|----------|----------|----------|----------|----------|
| Length (Unified) (m) | 11.4      | 16.6      | 27.0      | 33.7      | 13.4      | 15.9      | 16.0      | 38.3     | 11.7     | 29.2     | 20.9     | 16.7     | 48.6     | 56.0     | 78.3     | 6.9      | 32.4     | 19.6     | 16.9     | 9.9      |          |
| Diametri i Brendshem | Dj-200mm  | Dj-200mm  | Dj-200mm  | Dj-200mm  | Dj-200mm  | Dj-200mm  | Dj-200mm  | Dj-200mm | Dj-250mm | Dj-250mm | Dj-250mm | Dj-315mm | Dj-315mm | Dj-315mm | Dj-315mm | Dj-315mm | Dj-315mm | Dj-315mm | Dj-400mm | Dj-400mm |          |
| Prurja Maksimale     | 0.75      | 0.75      | 0.75      | 1.49      | 2.56      | 2.56      | 3.31      | 5.12     | 6.61     | 8.10     | 8.10     | 9.92     | 10.66    | 10.66    | 12.15    | 22.81    | 25.70    | 26.44    | 26.44    | 26.44    |          |
| Pjeresia (m/m)       | 0.005     | 0.025     | 0.025     | 0.025     | 0.025     | 0.025     | 0.005     | 0.025    | 0.025    | 0.025    | 0.025    | 0.025    | 0.025    | 0.025    | 0.015    | 0.013    | 0.025    | 0.012    | 0.009    | 0.009    |          |
| Emertimi i Pusetes   | 115\MH-43 | 116\MH-44 | 118\MH-45 | 120\MH-46 | 122\MH-47 | 124\MH-48 | 126\MH-49 | 43\MH-8  | 45\MH-9  | 47\MH-10 | 49\MH-11 | 51\MH-12 | 53\MH-13 | 55\MH-14 | 57\MH-15 | 59\MH-16 | 61\MH-17 | 63\MH-18 | 65\MH-19 | 67\MH-20 | 69\MH-21 |
| Kuota e Tokes        | 787.69    | 788.69    | 786.67    | 785.32    | 783.10    | 782.29    | 781.17    | 780.28   | 777.41   | 774.86   | 774.65   | 772.74   | 771.61   | 768.55   | 766.36   | 764.91   | 764.80   | 763.88   | 763.71   | 764.38   | 764.38   |
| Kuota e Projektit    | 786.92    | 786.32    | 785.22    | 783.18    | 781.86    | 780.80    | 779.48    | 777.59   | 776.38   | 774.61   | 772.49   | 771.26   | 769.00   | 766.99   | 765.07   | 763.91   | 763.82   | 763.01   | 762.77   | 762.62   | 762.77   |
| Stacion              | 0+00      | 0+11      | 0+28      | 0+55      | 0+89      | 1+02      | 1+18      | 1+34     | 1+72     | 1+84     | 2+13     | 2+34     | 2+51     | 2+99     | 3+55     | 4+34     | 4+41     | 4+73     | 4+93     | 5+10     | 5+40     |

|            |  |                                     |                              |   |   |  |                   |
|------------|--|-------------------------------------|------------------------------|---|---|--|-------------------|
| POROSITES: | <b>BASHKIA BULQIZE</b>   | <b>"ERALD - G" SH.P.K</b>           | <b>DREJTUES I PROJEKTTIT</b> | <b>PROJEKTUES</b>   | <b>SHKALLA</b>  | <b>NR. I FLETES</b>                        |                   |
| OBJEKTI:   | "NDERTIM SISTEM KANALIZIMESH DHE IMPIANT TRAJTIMI TE UJERAVE TE NDOTURA NE QYTETIN BULQIZE E RE" | RRUGA: KONGRESI I LUSHNJES, TIRANE, | INXH. GEZIM ISLAMI           | INXH. GEZIM ISLAMI<br>HIDR. ANISA ZAKA<br>INXH. ENDRI PIERO | TOP. KUJTIM CANAMETI<br>ELEK. HAJDAR KURTI<br>MEK. ARBEN MUHA | SH.H. 1:1500<br>SH.V. 1:150<br>TIRANE 2022 | 2-01<br>FORMAT A3 |

PROFILI GJATESOR 1



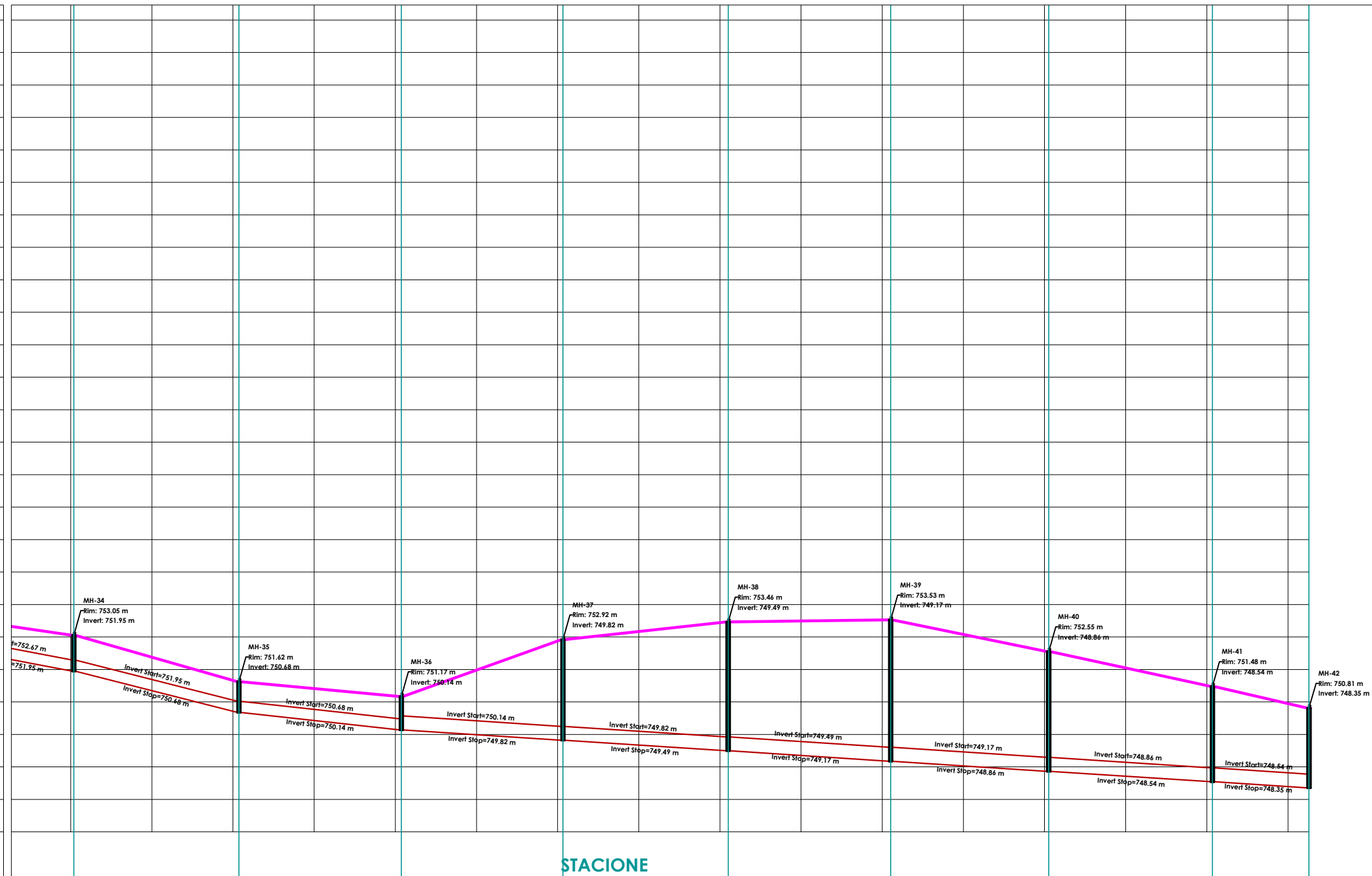
| Element ID \ Label   | 67\CO-38 | 69\CO-40 | 71\CO-42 | 73\CO-44 | 75\CO-46 | 77\CO-48 | 79\CO-50 | 81\CO-52 | 83\CO-54 | 85\CO-56 | 87\CO-58 | 89\CO-60 | 91\CO-62 | 93\CO-64 | 95\CO-66 | 97\CO-68 | 99\CO-70 | 101\CO-72 |
|----------------------|----------|----------|----------|----------|----------|----------|----------|----------|----------|----------|----------|----------|----------|----------|----------|----------|----------|-----------|
| Length (Unified) (m) | 16.9     | 9.9      | 13.5     | 10.9     | 55.9     | 33.3     | 24.5     | 24.3     | 20.8     | 33.9     | 25.8     | 31.1     | 17.8     | 50.7     | 39.1     | 50.9     | 50.0     | 49.8      |
| Diametri i Brendshem | 400mm    | Dj-400mm | Dj-400mm | Dj-400mm | Dj-400mm | Dj-400mm | Dj-400mm | Dj-400mm | Dj-400mm | Dj-400mm | Dj-400mm | Dj-400mm | Dj-400mm | Dj-400mm | Dj-400mm | Dj-400mm | Dj-400mm | Dj-500mm  |
| Prurja Maksimale     | 26.44    | 26.44    | 26.44    | 27.19    | 30.53    | 30.53    | 31.27    | 31.27    | 31.27    | 43.04    | 43.04    | 43.04    | 43.04    | 43.04    | 43.36    | 43.36    | 43.36    | 43.36     |
| Pjerrësia (m/m)      | 0.009    | 0.009    | 0.009    | 0.009    | 0.017    | 0.024    | 0.025    | 0.021    | 0.008    | 0.025    | 0.025    | 0.025    | 0.025    | 0.009    | 0.018    | 0.025    | 0.011    | 0.006     |
| Emertimi i Pusetes   | 67\MH-20 | 69\MH-21 | 71\MH-22 | 73\MH-23 | 75\MH-24 | 77\MH-25 | 79\MH-26 | 81\MH-27 | 83\MH-28 | 85\MH-29 | 87\MH-30 | 89\MH-31 | 91\MH-32 | 93\MH-33 | 95\MH-34 | 97\MH-35 | 99\MH-36 |           |
| Kuota e Tokes        | 764.38   | 764.09   | 763.88   | 763.56   | 762.30   | 761.50   | 760.81   | 760.29   | 760.49   | 758.51   | 757.24   | 755.57   | 754.08   | 753.61   | 753.05   | 751.62   | 751.17   |           |
| Kuota e Projektit    | 762.62   | 762.53   | 762.41   | 762.31   | 761.35   | 760.48   | 759.86   | 759.34   | 758.41   | 756.94   | 755.41   | 753.58   | 753.14   | 752.67   | 751.95   | 750.68   | 750.14   | 750.14    |
| Stacion              | 5+10     | 5+19     | 5+33     | 5+44     | 6+00     | 6+33     | 6+58     | 6+82     | 7+03     | 7+37     | 7+62     | 7+93     | 8+11     | 8+62     | 9+01     | 9+52     | 10+02    |           |

|            |  |                                     |                            |   |   |  |
|------------|--|-------------------------------------|----------------------------|---|---|--|
| POROSITES: | <b>BASHKIA BULQIZE</b>   | <b>"ERALD - G" SH.P.K</b>           | <b>DREJTUES I PROJEKTI</b> | <b>PROJEKTUES</b>   | <b>SHKALLA</b>  | <b>NR. I FLETES</b>                        |
| OBJEKTI:   | "NDERTIM SISTEM KANALIZIMESH DHE IMPIANT TRAJTIMI TE UJERAVE TE NDOTURA NE QYTETIN BULQIZE E RE" | RRUGA: KONGRESI I LUSHNYES, TIRANE, | INXH. GEZIM ISLAMI         | INXH. GEZIM ISLAMI<br>HIDR. ANISA ZAKA<br>INXH. ENDRI PIERO | TOP. KUJTIM CANAMETI<br>ELEK. HAJDAR KURTI<br>MEK. ARBEN MUHA | SH.H. 1:1500<br>SH.V. 1:150<br>TIRANE 2022 |
|            |  |                                     |                            | INXH. ERINDI GJOKA<br>G.GEO. SHKELZEN QOKA                  | 2-02  | FORMAT A3                                  |

PROFILI GJATESOR 1

KUOTA E TERRENT

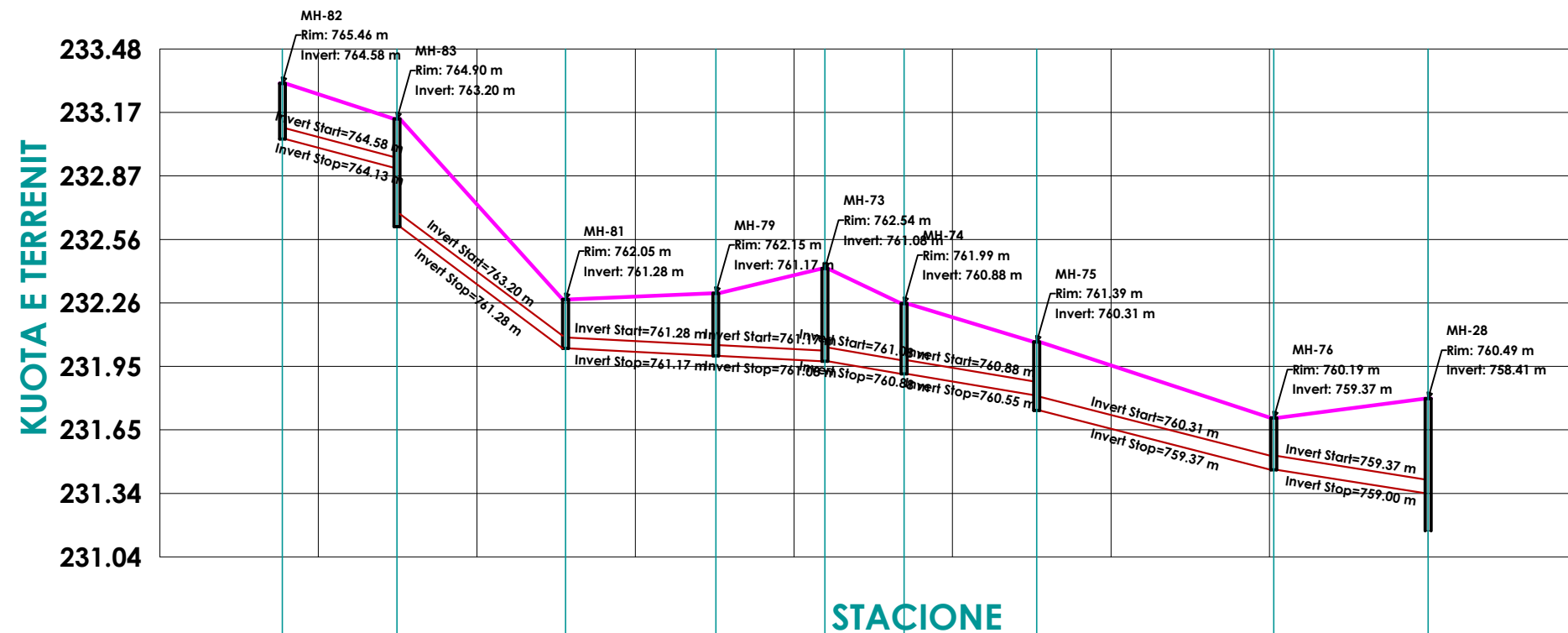
235.31  
235.00  
234.70  
234.39  
234.09  
233.78  
233.48  
233.17  
232.87  
232.56  
232.26  
231.95  
231.65  
231.34  
231.04  
230.73  
230.43  
230.12  
229.82  
229.51  
229.21  
228.90  
228.60  
228.30  
227.99  
227.69  
-0+08



STACIONE

| Element ID \ Label   | D-66 | 98 \ CO-68 | 100 \ CO-70 | 102 \ CO-72 | 104 \ CO-74 | 106 \ CO-76 | 108 \ CO-78 | 110 \ CO-80 | 112 \ CO-82 |        |
|----------------------|------|------------|-------------|-------------|-------------|-------------|-------------|-------------|-------------|--------|
| Length (Unified) (m) | 1    | 50.9       | 50.0        | 49.8        | 50.9        | 50.1        | 48.7        | 50.4        | 29.8        |        |
| Diametri i Brendshem | mm   | Dj-400mm   | Dj-400mm    | Dj-500mm    | Dj-500mm    | Dj-500mm    | Dj-500mm    | Dj-500mm    | Dj-500mm    |        |
| Prurja Maksimale     | l/s  | 43.36      | 43.36       | 43.36       | 43.36       | 43.36       | 43.36       | 43.36       | 43.36       |        |
| Pjerrësia (m/m)      | l/s  | 0.025      | 0.011       | 0.006       | 0.006       | 0.006       | 0.006       | 0.006       | 0.006       |        |
| Emertimi i Pusetes   |      | 95 \ MH-34 | 97 \ MH-35  | 99 \ MH-36  | 101 \ MH-37 | 103 \ MH-38 | 105 \ MH-39 | 107 \ MH-40 | 109 \ MH-41 | MH-42  |
| Kuota e Tokes        |      | 753.05     | 751.62      | 751.17      | 752.92      | 753.46      | 753.53      | 752.55      | 751.48      | 750.81 |
| Kuota e Projektit    |      | 751.95     | 750.68      | 750.14      | 749.82      | 749.49      | 749.17      | 748.86      | 748.54      | 748.35 |
| Stacion              |      | 9+01       | 9+52        | 10+02       | 10+52       | 11+03       | 11+53       | 12+01       | 12+52       | 12+81  |

|            |  |  |  |   |   |  |  |  |
|------------|--|--|--|---|---|--|--|--|
| POROSITES: | <b>BASHKIA BULQIZE</b>   | <b>"ERALD - G" SH.P.K</b><br>RRUGA:<br>KONGRESI I LUSHNYES,<br>TIRANE, | <b>DREJTUES I PROJEKTI</b><br>INXH. GEZIM ISLAMI | <b>PROJEKTUES</b>   |   |  | <b>SHKALLA</b><br>SH.H. 1:1500<br>SH.V. 1:150<br>TIRANE 2022 | <b>NR. I FLETES</b><br>2-03<br>FORMAT A3 |
| OBJEKTI:   | "NDERTIM SISTEM KANALIZIMESH DHE IMPIANT TRAJTIMI TE UJERAVE TE NDOTURA NE QYTETIN BULQIZE E RE" |  |  | INXH. GEZIM ISLAMI<br>HIDR. ANISA ZAKA<br>INXH. ENDRI PIERO | TOP. KUJTIM CANAMETI<br>ELEK. HAJDAR KURTI<br>MEK. ARBEN MUHA | INXH. ERINDI GJOKA<br>G.GEO. SHKELZEN QOKA |  |  |



|                       |            |            |            |            |            |            |            |            |          |
|-----------------------|------------|------------|------------|------------|------------|------------|------------|------------|----------|
| Emertimi i Tubacionit | 195\CO-164 | 196\CO-166 | 192\CO-162 | 188\CO-158 | 177\CO-146 | 179\CO-148 | 181\CO-150 | 182\CO-152 |          |
| Distanca Parciale     | 18.1       | 26.6       | 23.7       | 17.2       | 12.5       | 20.9       | 37.4       | 24.3       |          |
| Diometri i Brendshem  | Dj-200mm   | Dj-200mm   | Dj-200mm   | Dj-200mm   | Dj-315mm   | Dj-315mm   | Dj-315mm   | Dj-315mm   |          |
| Prurja Maksimale      | 0.49       | 0.49       | 0.97       | 1.62       | 11.02      | 11.02      | 11.76      | 11.76      |          |
| Pjerrësia (m/m)       | 0.025      | 0.072      | 0.005      | 0.005      | 0.016      | 0.016      | 0.025      | 0.015      |          |
| Emertimi i Pusetes    | 193\MH-82  | 194\MH-83  | 190\MH-81  | 186\MH-79  | 174\MH-73  | 176\MH-74  | 178\MH-75  | 180\MH-76  | 83\MH-28 |
| Kuota e Tokes         | 765.46     | 764.90     | 762.05     | 762.15     | 762.54     | 761.99     | 761.39     | 760.19     | 760.49   |
| Kuota e Projektit     | 764.58     | 763.20     | 761.28     | 761.17     | 761.08     | 760.88     | 760.31     | 759.37     | 758.41   |
| Stacion               | 1+81       | 1+63       | 1+36       | 1+12       | 0+95       | 0+83       | 0+62       | 0+24       | 0+00     |

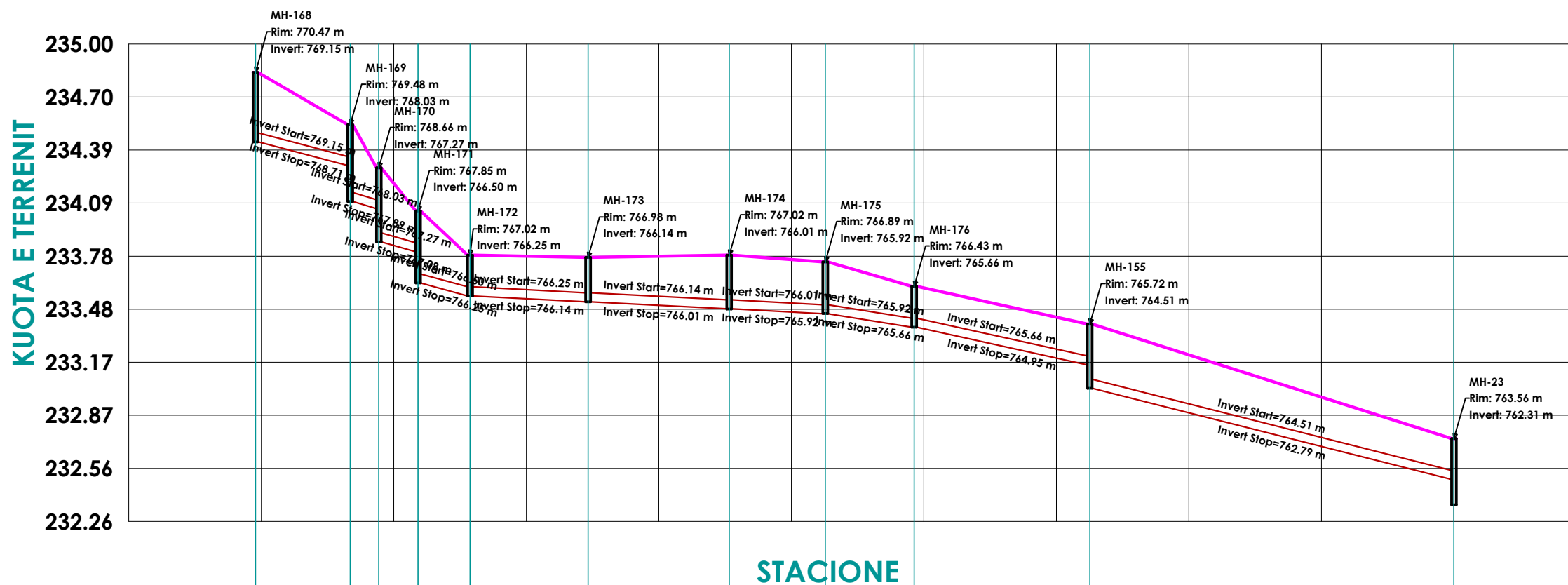
|            |  |
|------------|--|
| POROSITES: | <b>BASHKIA BULQIZE</b>   |
| OBJEKTI:   | "NDERTIM SISTEM KANALIZIMESH DHE IMPIANT TRAJTIMI TE UJERAVE TE NDOTURA NE QYTETIN BULQIZE E RE" |

|   |
|---|
| <b>"ERALD - G" SH.P.K</b>                 |
| RRUGA:<br>KONGRESI I LUSHNYES,<br>TIRANE, |

|                            |
|----------------------------|
| <b>DREJTUES I PROJEKTI</b> |
| INXH. GEZIM ISLAMI         |

|                    |                      |                     |
|--------------------|----------------------|---------------------|
| <b>PROJEKTUES</b>  |                      |                     |
| INXH. GEZIM ISLAMI | TOP. KUJTIM CANAMETI | INXH. ERINDI GJOKA  |
| HIDR. ANISA ZAKA   | ELEK. HAJDAR KURTI   | GJEO. SHKELZEN QOKA |
| INXH. ENDRI PIERO  | MEK. ARBEN MUHA      |                     |

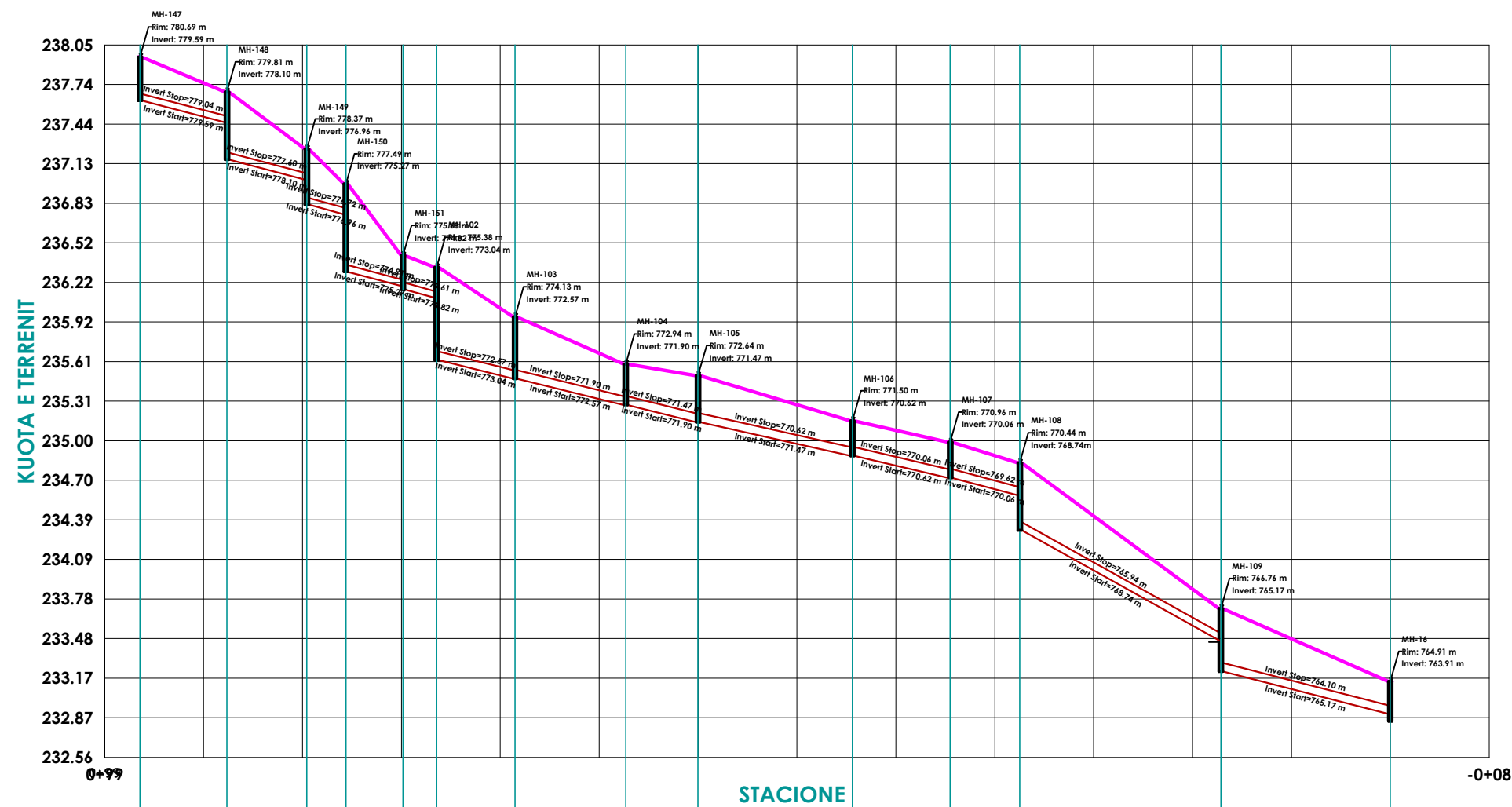
|                             |                     |
|-----------------------------|---------------------|
| <b>SHKALLA</b>              | <b>NR. I FLETES</b> |
| SH.H. 1:1000<br>SH.V. 1:100 | <b>2-04</b>         |
| TIRANE 2022                 | FORMAT A3           |



| Emeritimi i Tubacionit | 369\CO-338 | 367\CO-336 | 371\CO-340 | 373\CO-342 | 375\CO-344 | 377\CO-346 | 379\CO-348 | 381\CO-350 | 382\CO-352 | 340\CO-310 |
|------------------------|------------|------------|------------|------------|------------|------------|------------|------------|------------|------------|
| Distanca Parciale      | 17.9       | 5.4        | 7.4        | 9.8        | 22.3       | 26.6       | 18.1       | 16.8       | 33.1       | 68.7       |
| Diametri i Brendshem   | Dj-200mm   | Dj-200mm   | Dj-200mm   | Dj-200mm   | Dj-200mm   | Dj-200mm   | Dj-200mm   | Dj-200mm   | Dj-200mm   | Dj-250mm   |
| Prurja Maksimale       | 0.32       | 0.65       | 0.65       | 0.65       | 0.65       | 0.65       | 0.97       | 1.30       | 1.62       | 3.34       |
| Pjerrësia (m/m)        | 0.025      | 0.025      | 0.025      | 0.025      | 0.005      | 0.005      | 0.005      | 0.015      | 0.021      | 0.025      |
| Emeritimi i Pusëtes    | 365\MH-168 | 366\MH-169 | 370\MH-171 | 373\MH-172 | 374\MH-173 | 376\MH-174 | 378\MH-175 | 380\MH-176 | 338\MH-155 | 73\MH-23   |
| Kuota e Tokes          | 770.47     | 769.48     | 768.66     | 767.85     | 767.02     | 766.98     | 767.02     | 766.89     | 766.43     | 765.72     |
| Kuota e Projektit      | 769.15     | 768.03     | 767.27     | 766.50     | 766.25     | 766.14     | 766.01     | 765.92     | 765.66     | 764.51     |
| Stacion                | 2+26       | 2+08       | 2+03       | 1+95       | 1+86       | 1+63       | 1+37       | 1+19       | 1+02       | 0+69       |

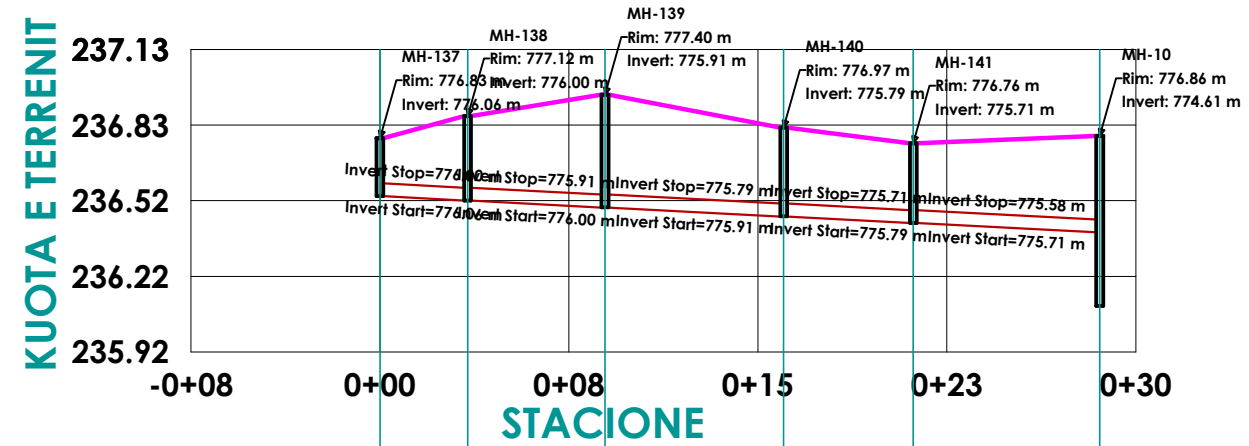
|            |  |                                     |                            |                    |                      |                     |                |                     |
|------------|--|-------------------------------------|----------------------------|--------------------|----------------------|---------------------|----------------|---------------------|
| POROSITES: | <b>BASHKIA BULQIZE</b>   | <b>"ERALD - G" SH.P.K</b>           | <b>DREJTUES I PROJEKTI</b> | <b>PROJEKTUES</b>  |                      |                     | <b>SHKALLA</b> | <b>NR. I FLETES</b> |
| OBJEKTI:   | "NDERTIM SISTEM KANALIZIMESH DHE IMPIANT TRAJTIMI TE UJERAVE TE NDOTURA NE QYTETIN BULQIZE E RE" | RRUGA: KONGRESI I LUSHNYES, TIRANE, | INXH. GEZIM ISLAMI         | INXH. GEZIM ISLAMI | TOP. KUJTIM CANAMETI | INXH. ERINDI GJOKA  | SH.H. 1:1000   | 2-05                |
|            |  |                                     |                            | HIDR. ANISA ZAKA   | ELEK. HAJDAR KURTI   | GJEO. SHKELZEN QOKA | SH.V. 1:100    | FORMAT A3           |
|            |  |                                     |                            | INXH. ENDRI PIERO  | MEK. ARBEN MUHA      |                     | TIRANE 2022    |                     |






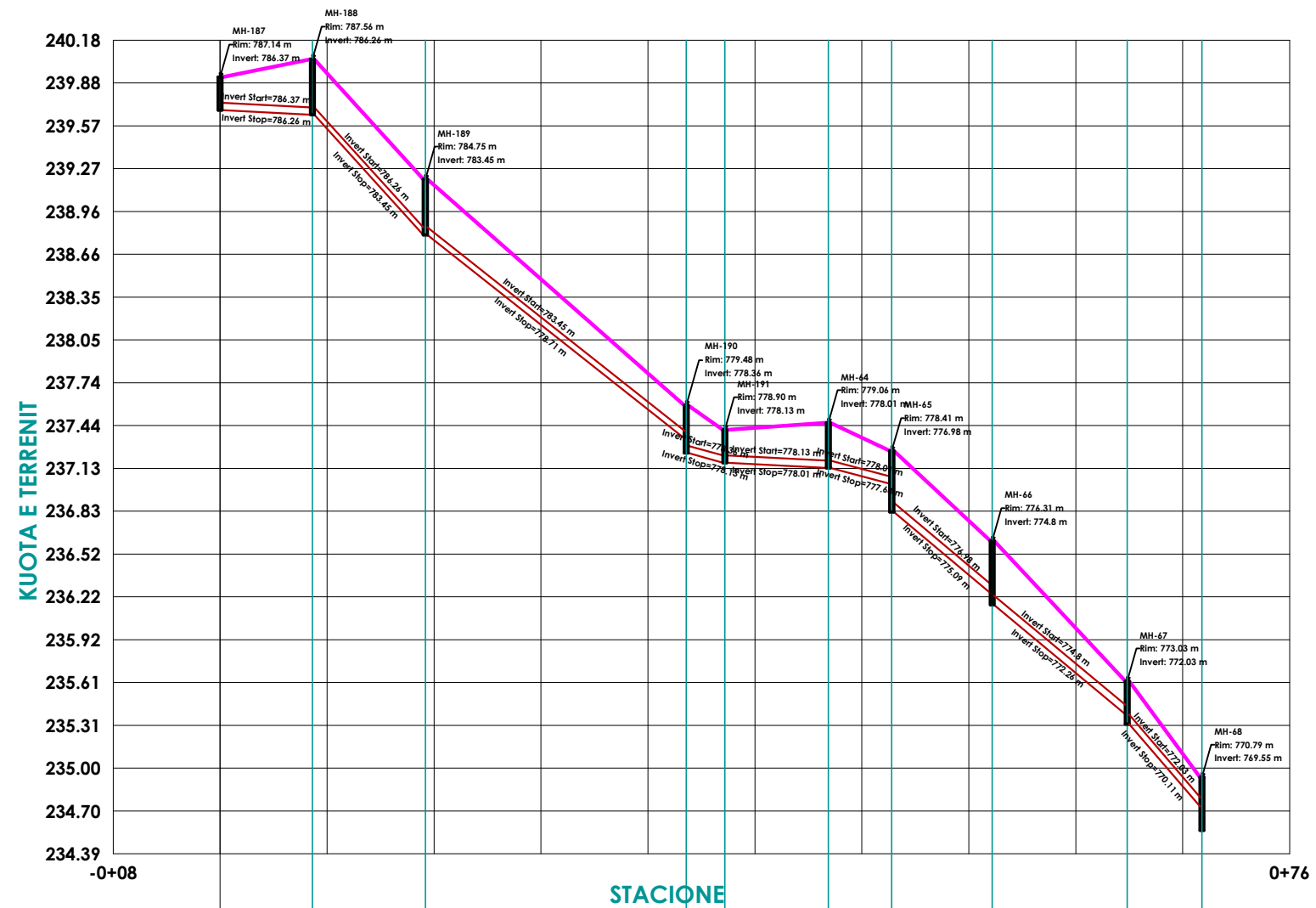
|                       |            |            |            |            |            |            |            |            |            |            |            |            |            |          |
|-----------------------|------------|------------|------------|------------|------------|------------|------------|------------|------------|------------|------------|------------|------------|----------|
| Emertimi i Tubacionit | 325\CO-294 | 327\CO-296 | 329\CO-298 | 331\CO-300 | 332\CO-302 | 235\CO-204 | 237\CO-206 | 239\CO-208 | 241\CO-210 | 243\CO-212 | 245\CO-214 | 247\CO-216 | 248\CO-218 |          |
| Distanca Parciale     | 22.0       | 20.2       | 9.9        | 14.5       | 8.5        | 19.8       | 28.0       | 18.3       | 39.0       | 24.7       | 17.6       | 50.8       | 42.8       |          |
| Diametri i Brendshem  | Dj-200mm   | Dj-200mm   | Dj-200mm   | Dj-200mm   | Dj-315mm   | Dj-315mm   | Dj-315mm   | Dj-315mm   | Dj-315mm   | Dj-315mm   | Dj-315mm   | Dj-315mm   | Dj-315mm   |          |
| Prurja Maksimale      | 0.75       | 0.75       | 1.49       | 1.49       | 1.49       | 6.71       | 6.71       | 6.71       | 7.45       | 8.20       | 9.92       | 9.92       | 10.66      |          |
| Pjerresia (m/m)       | 0.025      | 0.025      | 0.025      | 0.025      | 0.025      | 0.024      | 0.024      | 0.024      | 0.022      | 0.023      | 0.025      | 0.053      | 0.025      |          |
| Emertimi i Pusetes    | 323\MH-147 | 324\MH-148 | 326\MH-149 | 328\MH-150 | 330\MH-151 | 232\MH-102 | 234\MH-103 | 236\MH-104 | 238\MH-105 | 240\MH-106 | 242\MH-107 | 244\MH-108 | 246\MH-109 | 59\MH-16 |
| Kuota e Tokes         | 780.69     | 779.81     | 778.37     | 777.49     | 775.68     | 775.38     | 774.13     | 772.94     | 772.64     | 771.50     | 770.96     | 770.44     | 768.74     | 764.91   |
| Kuota e Projektit     | 779.59     | 778.10     | 776.96     | 775.27     | 774.82     | 773.04     | 772.57     | 771.90     | 771.47     | 770.62     | 770.06     | 768.74     | 765.17     | 763.91   |
| Stacion               | 3+16       | 2+94       | 2+74       | 2+64       | 2+50       | 2+41       | 2+21       | 1+93       | 1+75       | 1+36       | 1+11       | 0+94       | 0+43       | 0+00     |

|            |  |                                     |                             |   |   |  |
|------------|--|-------------------------------------|-----------------------------|---|---|--|
| POROSITES: | <b>BASHKIA BULQIZE</b>   | <b>"ERALD - G" SH.P.K</b>           | <b>DREJTUES I PROJEKTIT</b> | <b>PROJEKTUES</b>   | <b>SHKALLA</b>  | <b>NR. I FLETES</b>                        |
| OBJEKTI:   | "NDERTIM SISTEM KANALIZIMESH DHE IMPIANT TRAJTIMI TE UJERAVE TE NDOTURA NE QYTETIN BULQIZE E RE" | RRUGA: KONGRESI I LUSHNYES, TIRANE, | INXH. GEZIM ISLAMI          | INXH. GEZIM ISLAMI<br>HIDR. ANISA ZAKA<br>INXH. ENDRI PIERO | TOP. KUJTIM CANAMETI<br>ELEK. HAJDAR KURTI<br>MEK. ARBEN MUHA | SH.H. 1:1500<br>SH.V. 1:150<br>TIRANE 2022 |
|            |  |                                     |                             | INXH. ERINDI GJOKA<br>G.GEO. SHKELZEN QOKA                  | 1:1500<br>1:150   | 2-06<br>FORMAT A3                          |



|                              |                       |            |            |            |            |          |
|------------------------------|-----------------------|------------|------------|------------|------------|----------|
| <b>Emertimi i Tubacionit</b> | 305\CO-274 307\CO-276 |            | 309\CO-278 | 311\CO-280 | 312\CO-282 |          |
| <b>Distanca Parciale</b>     | 11.6                  | 18.2       | 23.6       | 17.1       | 24.7       |          |
| <b>Diametri i Brendshem</b>  | Dj-200mm              |            | Dj-200mm   | Dj-200mm   | Dj-200mm   |          |
| <b>Prurja Maksimale</b>      | 0.75                  | 0.75       | 0.75       | 1.49       | 1.49       |          |
| <b>Pjerresia (m/m)</b>       | 0.005                 | 0.005      | 0.005      | 0.005      | 0.005      |          |
| <b>Emertimi i Pusetes</b>    | 303\MH-137            | 304\MH-138 | 306\MH-139 | 308\MH-140 | 310\MH-141 | 47\MH-10 |
| <b>Kuota e Tokes</b>         | 776.83                | 777.12     | 777.40     | 776.97     | 776.76     | 776.86   |
| <b>Kuota e Projektit</b>     | 776.06                | 776.00     | 775.91     | 775.79     | 775.71     | 774.61   |
| <b>Stacion</b>               | 0+00                  | 0+12       | 0+30       | 0+53       | 0+71       | 0+95     |

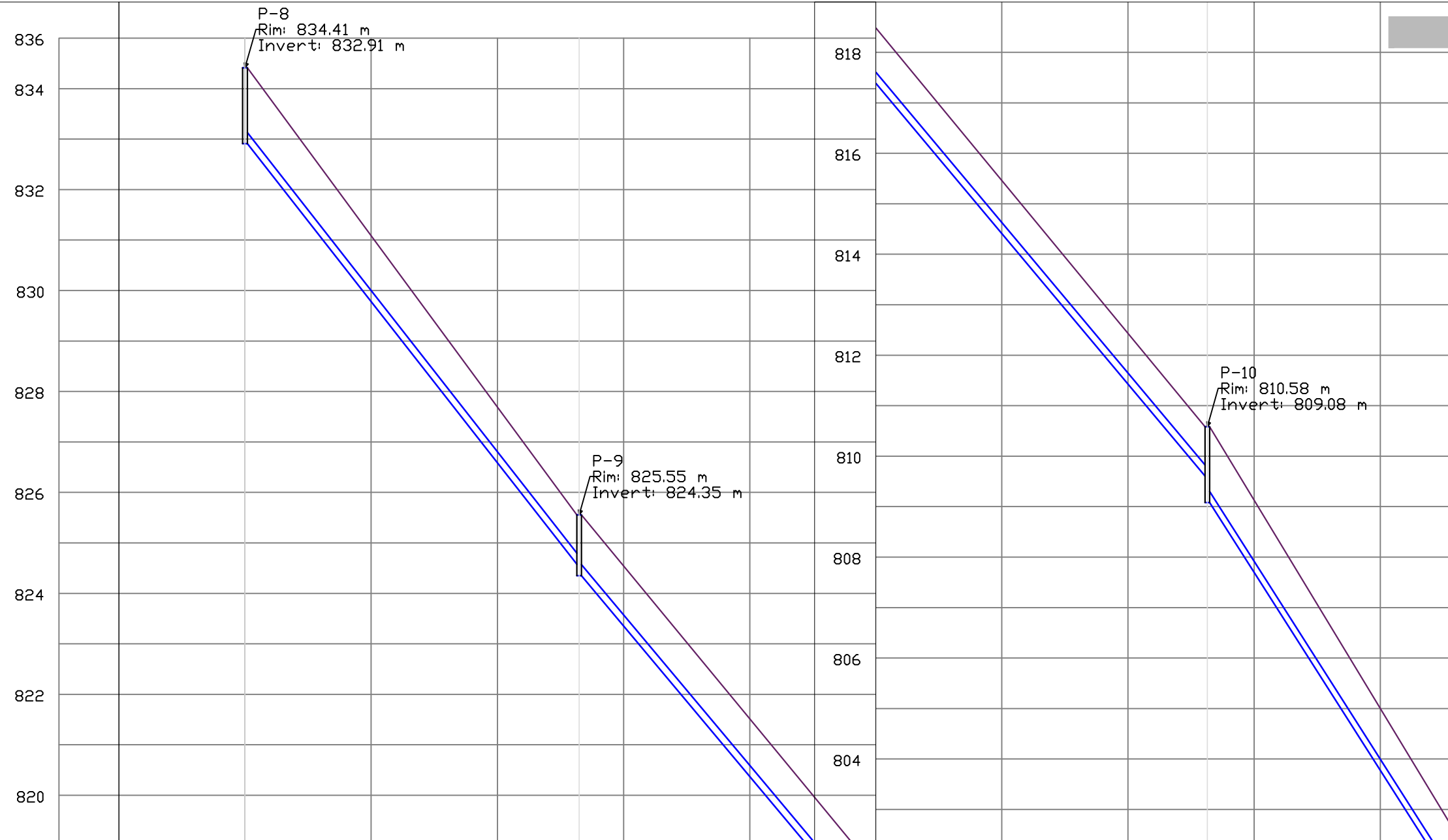
|            |  |  |                             |                    |                      |                     |                             |                     |
|------------|--|--|-----------------------------|--------------------|----------------------|---------------------|-----------------------------|---------------------|
| POROSITES: | <b>BASHKIA BULQIZE</b>   | <b>"ERALD - G" SH.P.K</b><br> RRUGA:<br>KONGRESI I LUSHNJES,<br>TIRANE, | <b>DREJTUES I PROJEKTIT</b> | <b>PROJEKTUES</b>  |                      |                     | <b>SHKALLA</b>              | <b>NR. I FLETES</b> |
| OBJEKTI:   | "NDERTIM SISTEM KANALIZIMESH DHE IMPIANT TRAJTIMI TE UJERAVE TE NDOTURA NE QYTETIN BULQIZE E RE" |  | INXH. GEZIM ISLAMI          | INXH. GEZIM ISLAMI | TOP. KUJTIM CANAMETI | INXH. ERINDI GJOKA  | SH.H. 1:1000<br>SH.V. 1:100 | 2-07                |
|            |  |  |                             | HIDR. ANISA ZAKA   | ELEK. HAJDAR KURTI   | GJEO. SHKELZEN QOKA | TIRANE 2022                 | FORMAT A3           |
|            |  |  |                             | INXH. ENDRI PIERO  | MEK. ARBEN MUHA      |                     |                             |                     |




|                        |            |            |            |            |            |            |            |            |            |           |
|------------------------|------------|------------|------------|------------|------------|------------|------------|------------|------------|-----------|
| Emeritimi i Tubacionit | 405\CO-374 | 407\CO-376 | 409\CO-378 | 411\CO-380 | 412\CO-382 | 159\CO-128 | 161\CO-130 | 163\CO-132 | 165\CO-134 |           |
| Distanca Parciale      | 21.6       | 26.4       | 61.0       | 9.0        | 24.2       | 14.8       | 23.5       | 31.6       | 17.5       |           |
| Diametri i Brendshem   | Dj-200mm   | Dj-200mm   | Dj-200mm   | Dj-200mm   | Dj-200mm   | Dj-250mm   | Dj-250mm   | Dj-250mm   | Dj-250mm   |           |
| Prurja Maksimale       | 0.75       | 1.07       | 1.07       | 1.07       | 1.07       | 4.05       | 4.05       | 4.80       | 4.80       |           |
| Pjeresia (m/m)         | 0.005      | 0.106      | 0.078      | 0.025      | 0.005      | 0.025      | 0.081      | 0.080      | 0.110      |           |
| Emeritimi i Pusetes    | 403\MH-187 | 404\MH-188 | 406\MH-189 | 408\MH-190 | 410\MH-191 | 156\MH-64  | 158\MH-65  | 160\MH-66  | 162\MH-67  | 164\MH-68 |
| Kuota e Tokes          | 787.14     | 787.56     | 784.75     | 779.48     | 778.90     | 779.04     | 778.41     | 776.31     | 773.03     | 770.79    |
| Kuota e Projektit      | 786.37     | 786.26     | 783.45     | 778.36     | 778.13     | 778.01     | 776.98     | 774.80     | 772.03     | 769.55    |
| Stacion                | 0+00       | 0+22       | 0+48       | 1+09       | 1+18       | 1+42       | 1+57       | 1+80       | 2+12       | 2+30      |

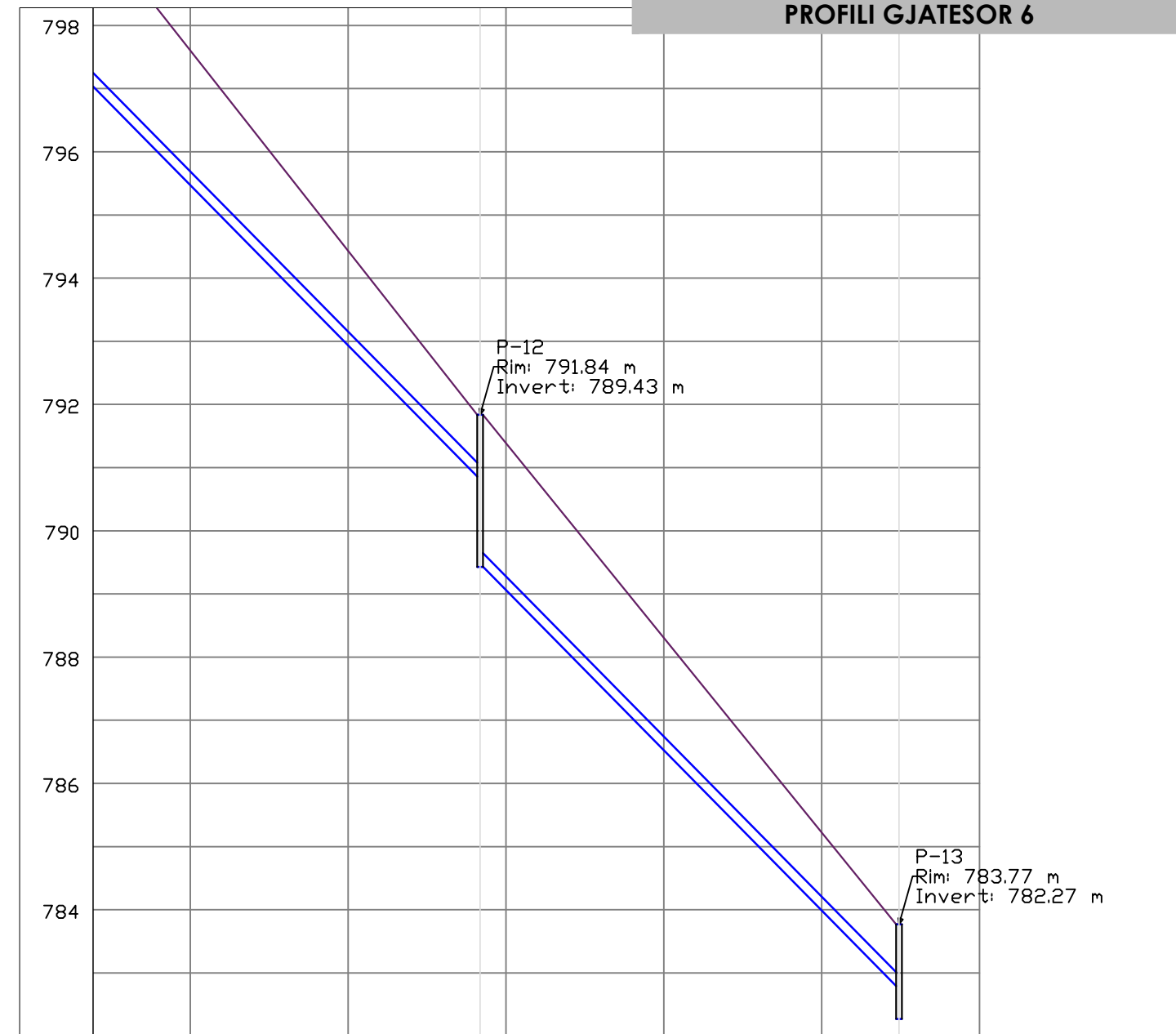
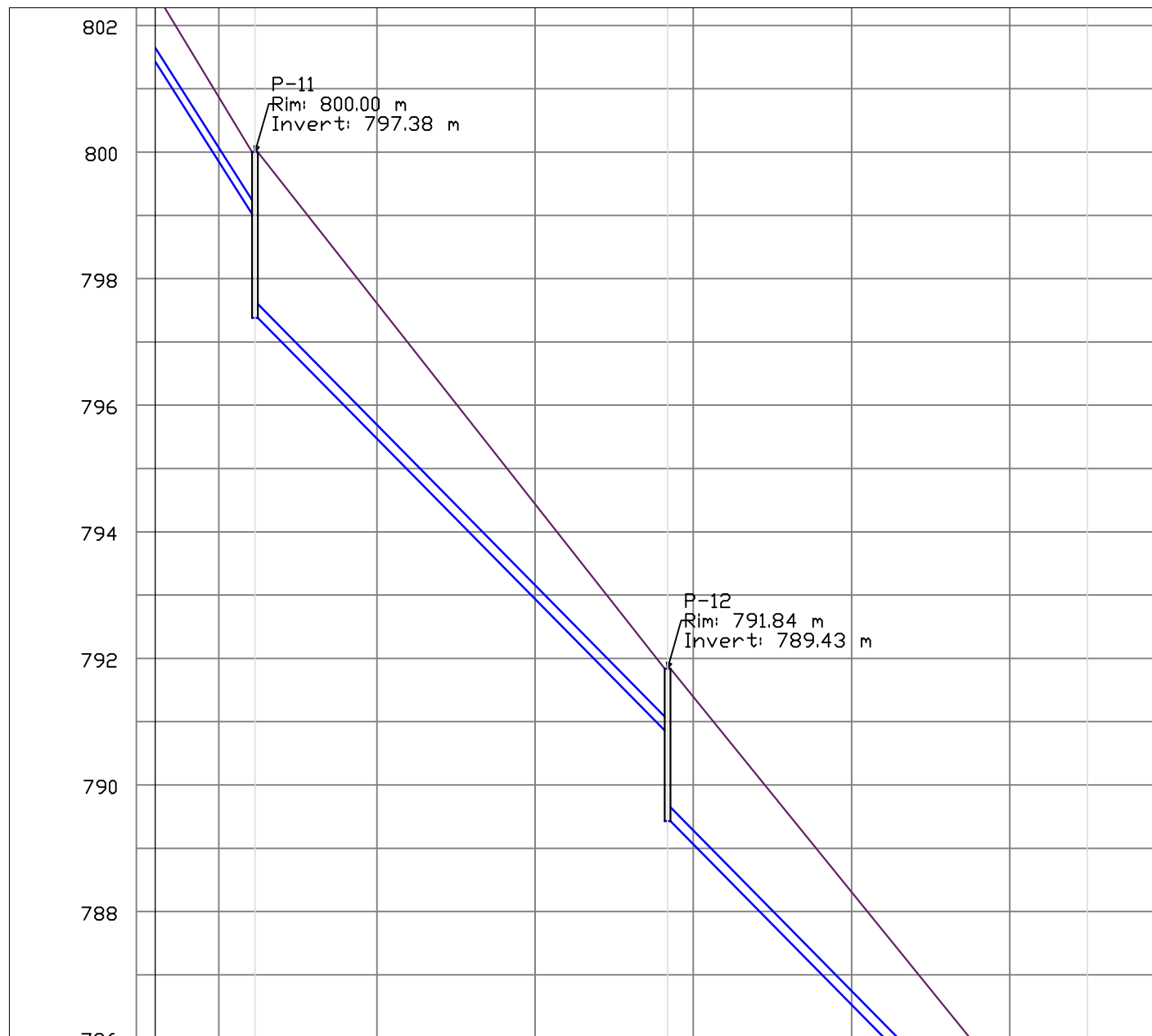
|            |  |                                     |                             |                    |                      |                      |                |                     |
|------------|--|-------------------------------------|-----------------------------|--------------------|----------------------|----------------------|----------------|---------------------|
| POROSITES: | <b>BASHKIA BULQIZE</b>   | <b>"ERALD - G" SH.P.K</b>           | <b>DREJTUES I PROJEKTIT</b> | <b>PROJEKTUES</b>  |                      |                      | <b>SHKALLA</b> | <b>NR. I FLETES</b> |
| OBJEKTI:   | "NDERTIM SISTEM KANALIZIMESH DHE IMPIANT TRAJTIMI TE UJERAVE TE NDOTURA NE QYTETIN BULQIZE E RE" | RRUGA: KONGRESI I LUSHNJES, TIRANE, | INXH. GEZIM ISLAMI          | INXH. GEZIM ISLAMI | TOP. KUJTIM CANAMETI | INXH. ERINDI GJOKA   | SH.H. 1:1500   | NR. 2-08            |
|            |  |                                     |                             | HIDR. ANISA ZAKA   | ELEK. HAJDAR KURTI   | G.GEO. SHKELZEN QOKA | SH.V. 1:150    | FORMAT A3           |
|            |  |                                     |                             | INXH. ENDRI PIERO  | MEK. ARBEN MUHA      |                      | TIRANE 2022    |                     |

**PROFILI GJATESOR 6**



|                       |          |          |          |          |
|-----------------------|----------|----------|----------|----------|
| Gjatësia              | 66.2     | 124.5    | 65.0     | 65.2     |
| Diametri              | Dj-250mm | Dj-250mm | Dj-250mm | Dj-250mm |
| Kapaciteti Tubacionit | 158.64   | 142.02   | 162.31   | 130.51   |
| Pjerrësia (m/m)       | 0.126    | 0.118    | 0.155    | 0.100    |
| Emertim Pusete        | 43\P-8   | 45\P-9   | 47\P-10  | 49\P-11  |
| Kuote Toke            | 834.41   | 825.55   | 810.58   | 800.00   |
| Kuote Projekti        | 832.91   | 824.35   | 809.08   | 797.38   |
| Progresivi            | 0+00     | 0+66     | 1+91     | 2+56     |

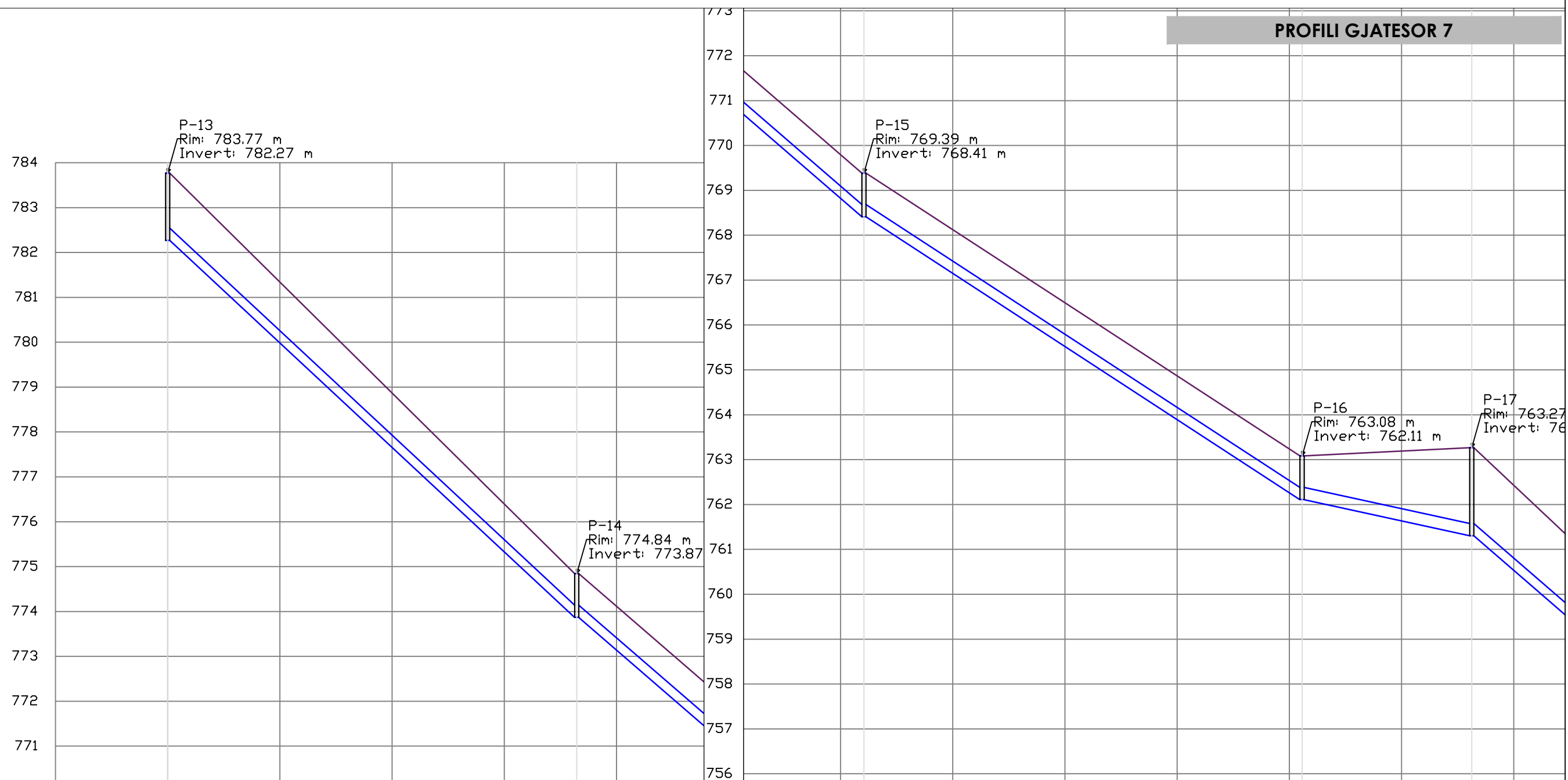
|            |  |  |                             |                           |                             |                            |                             |                     |
|------------|--|--|-----------------------------|---------------------------|-----------------------------|----------------------------|-----------------------------|---------------------|
| POROSITES: | <b>BASHKIA BULQIZE</b>   | <b>"ERALD - G" SH.P.K</b>  | <b>DREJTUES I PROJEKTIT</b> | <b>PROJEKTUES</b>         |                             |                            | <b>SHKALLA</b>              | <b>NR. I FLETES</b> |
| OBJEKTI:   | "NDERTIM SISTEM KANALIZIMESH DHE IMPIANT TRAJTIMI TE UJERAVE TE NDOTURA NE QYTETIN BULQIZE E RE" |  RRUGA. KONGRESI I LUSHNES, TIRANE, | INXH. <b>GEZIM ISLAMI</b>   | INXH. <b>GEZIM ISLAMI</b> | TOP. <b>KUJTIM CANAMETI</b> | INXH. <b>ERINDI GJOKA</b>  | SH.H. 1:1500<br>SH.V. 1:150 | <b>2-09</b>         |
|            |  |  |                             | HIDR. <b>ANISA ZAKA</b>   | ELEK. <b>HAJDAR KURTI</b>   | GJEO. <b>SHKELZEN QOKA</b> | <b>TIRANE 2022</b>          | <b>FORMAT A3</b>    |
|            |  |  |                             | INXH. <b>ENDRI PIERO</b>  | MEK. <b>ARBEN MUHA</b>      |                            |                             |                     |




|                       |          |          |          |          |         |         |
|-----------------------|----------|----------|----------|----------|---------|---------|
| Gjatësia              | 65.2     | 66.4     | 65.2     | 66.4     |         |         |
| Diametri              | Dj-250mm | Dj-250mm | Dj-250mm | Dj-250mm |         |         |
| Kapaciteti Tubacionit | 130.51   | 130.51   | 130.51   | 130.51   |         |         |
| Pjerrësia (m/m)       | 0.100    | 0.100    | 0.100    | 0.100    |         |         |
| Emertim Pusete        | 49\P-11  | 51\P-12  | 53\P-13  | 49\P-11  | 51\P-12 | 53\P-13 |
| Kuote Toke            | 800.00   | 791.84   | 783.77   | 800.00   | 791.84  | 783.77  |
| Kuote Projekti        | 797.38   | 789.43   | 782.27   | 797.38   | 789.43  | 782.27  |
| Progresivi            | 2+56     | 3+21     | 3+87     | 2+56     | 3+21    | 3+87    |

|            |   |  |                             |                           |                             |                            |                             |                     |
|------------|---|--|-----------------------------|---------------------------|-----------------------------|----------------------------|-----------------------------|---------------------|
| POROSITES: | <b>BASHKIA BULQIZE</b>  | <b>"ERALD - G" SH.P.K</b>  | <b>DREJTUES I PROJEKTIT</b> | <b>PROJEKTUES</b>         |                             |                            | <b>SHKALLA</b>              | <b>NR. I FLETES</b> |
| OBJEKTI:   | <b>"NDERTIM SISTEM KANALIZIMESH DHE IMPIANT TRAJTIMI TE UJERAVE TE NDOTURA NE QYTETIN BULQIZE E RE"</b> |  RRUGA KONGRESI I LUSHNYES, TIRANE, | INXH. <b>GEZIM ISLAMI</b>   | INXH. <b>GEZIM ISLAMI</b> | TOP. <b>KUJTIM CANAMETI</b> | INXH. <b>ERINDI GJOKA</b>  | SH.H. 1:1500<br>SH.V. 1:150 | <b>2-10</b>         |
|            |   |  |                             | HIDR. <b>ANISA ZAKA</b>   | ELEK. <b>HAJDAR KURTI</b>   | GJEO. <b>SHKELZEN QOKA</b> | <b>TIRANE 2022</b>          | <b>FORMAT A3</b>    |
|            |   |  |                             | INXH. <b>ENDRI PIERO</b>  | MEK. <b>ARBEN MUHA</b>      |                            |                             |                     |

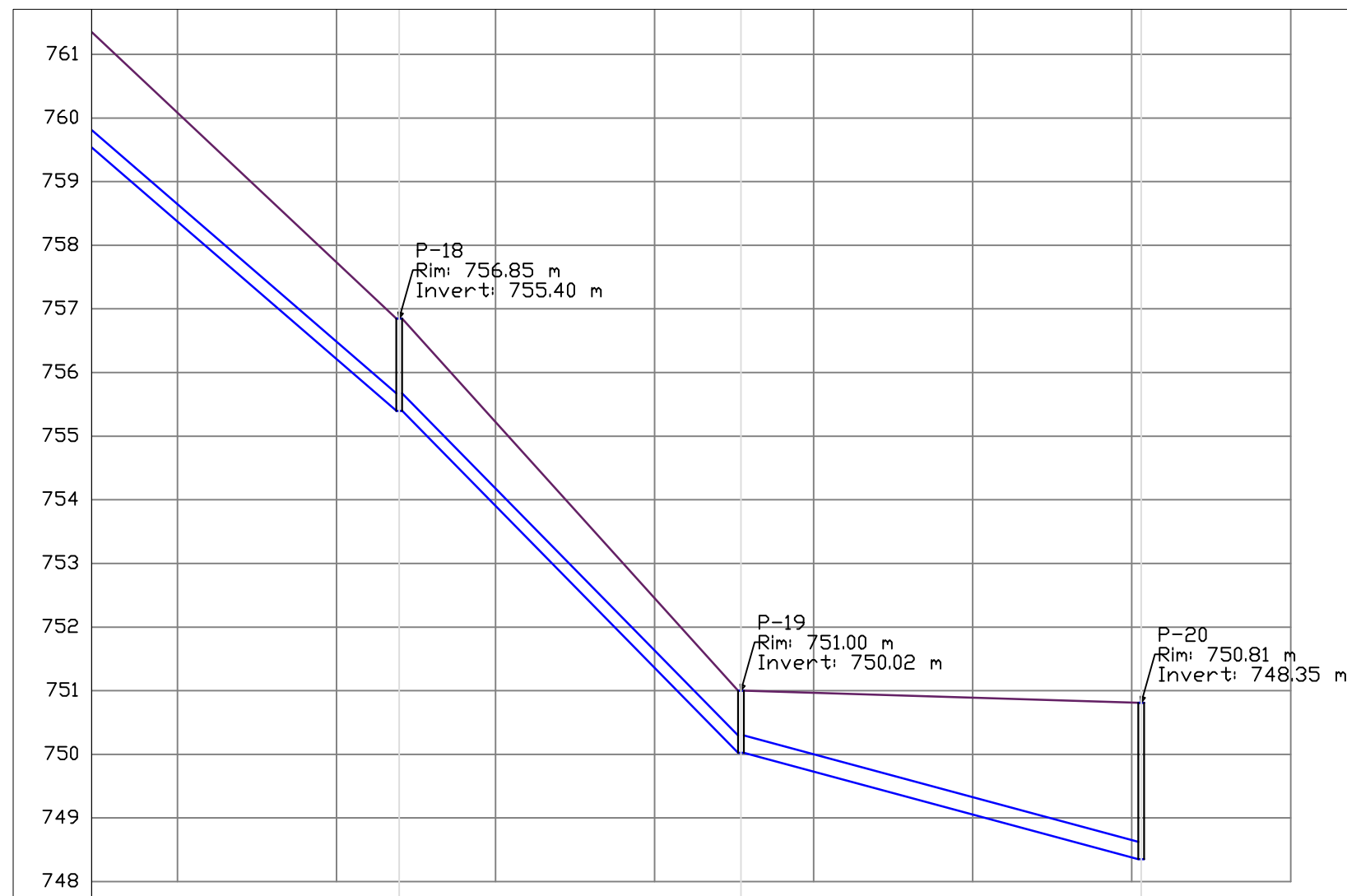
**PROFILI GJATESOR 7**



|                       |          |          |          |          |         |
|-----------------------|----------|----------|----------|----------|---------|
| Gjatësia              | 91.2     | 64.0     | 97.6     | 37.8     |         |
| Diametri              | Dj-315mm | Dj-315mm | Dj-315mm | Dj-315mm |         |
| Kapaciteti Tubacionit | 228.29   | 219.56   | 191.03   | 109.81   |         |
| Pjerrësia (m/m)       | 0.092    | 0.085    | 0.065    | 0.021    |         |
| Emertim Pusete        | 53\P-13  | 55\P-14  | 57\P-15  | 59\P-16  | 61\P-17 |
| Kuote Toke            | 783.77   | 774.84   | 769.39   | 763.08   | 763.27  |
| Kuote Projekti        | 782.27   | 773.87   | 768.41   | 762.11   | 761.30  |
| Progresivi            | 0+00     | 0+91     | 1+55     | 2+53     | 2+91    |

|            |   |  |   |  |  |   |   |                             |
|------------|---|--|---|--|--|---|---|-----------------------------|
| POROSITES: | <b>BASHKIA BULQIZE</b>  |  <b>"ERALD - G" SH.P.K</b><br>RRUGA. KONGRESI I LUSHNYES, TIRANE, | <b>DREJTUES I PROJEKTI</b><br>INXH. <b>GEZIM ISLAMI</b> | <b>PROJEKTUES</b>  |  |   | <b>SHKALLA</b><br>SH.H. 1:1500<br>SH.V. 1:150 | <b>NR. I FLETES</b><br>2-11 |
| OBJEKTI:   | <b>"NDERTIM SISTEM KANALIZIMESH DHE IMPIANT TRAJTIMI TE UJERAVE TE NDOTURA NE QYTETIN BULQIZE E RE"</b> |  |   | INXH. <b>GEZIM ISLAMI</b><br>INXH. <b>ANISA ZAKA</b><br>INXH. <b>ENDRI PIERO</b> | TOP. <b>KUJTIM CANAMETI</b><br>ELEK. <b>HAJDAR KURTI</b><br>MEK. <b>ARBEN MUHA</b> | INXH. <b>ERINDI GJOKA</b><br>GJEO. <b>SHKELZEN QOKA</b> |   |                             |

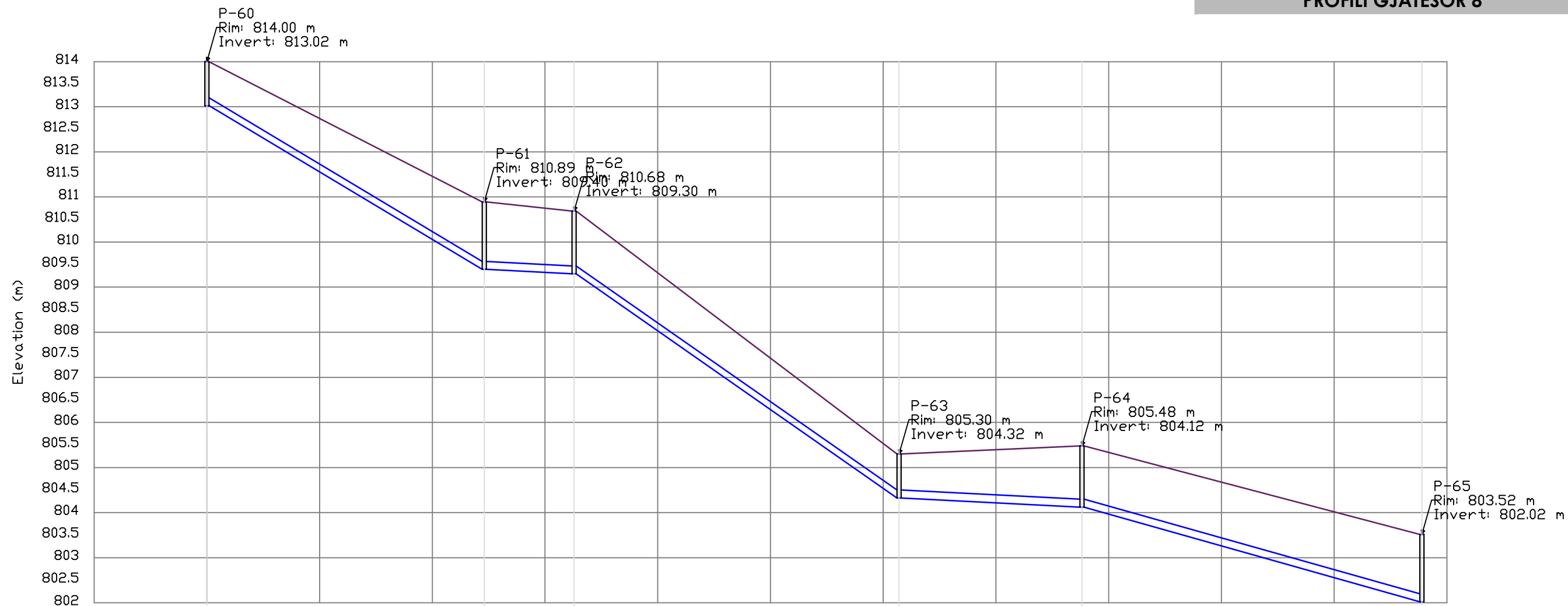
**PROFILI GJATESOR 7**




|                       |          |          |          |
|-----------------------|----------|----------|----------|
| Gjatësia              | 69.2     | 53.7     | 62.9     |
| Diametri              | Dj-315mm | Dj-315mm | Dj-315mm |
| Kapaciteti Tubacionit | 219.65   | 237.80   | 122.66   |
| Pjerrësia (m/m)       | 0.085    | 0.100    | 0.027    |
| Emertim Pusete        | 63\P-18  | 65\P-19  | 67\P-20  |
| Kuote Toke            | 756.85   | 751.00   | 750.81   |
| Kuote Projekti        | 755.40   | 750.02   | 748.35   |
| Progresivi            | 3+60     | 4+14     | 4+76     |

|            |   |                                     |                            |                           |                             |                            |                             |                     |
|------------|---|-------------------------------------|----------------------------|---------------------------|-----------------------------|----------------------------|-----------------------------|---------------------|
| POROSITES: | <b>BASHKIA BULQIZE</b>  | <b>"ERALD - G" SH.P.K</b>           | <b>DREJTUES I PROJEKTT</b> | <b>PROJEKTUES</b>         |                             |                            | <b>SHKALLA</b>              | <b>NR. I FLETES</b> |
| OBJEKTI:   | <b>"NDERTIM SISTEM KANALIZIMESH DHE IMPIANT TRAJTIMI TE UJERAVE TE NDOTURA NE QYTETIN BULQIZE E RE"</b> | RRUGA. KONGRESI I LUSHNJES, TIRANE, | INXH. <b>GEZIM ISLAMI</b>  | INXH. <b>GEZIM ISLAMI</b> | TOP. <b>KUJTIM CANAMETI</b> | INXH. <b>ERINDI GJOKA</b>  | SH.H. 1:1500<br>SH.V. 1:150 | <b>2-12</b>         |
|            |   |                                     |                            | HIDR. <b>ANISA ZAKA</b>   | ELEK. <b>HAJDAR KURTI</b>   | GJEO. <b>SHKELZEN QOKA</b> | <b>TIRANE 2022</b>          | <b>FORMAT A3</b>    |
|            |   |                                     |                            | INXH. <b>ENDRI PIERO</b>  | MEK. <b>ARBEN MUHA</b>      |                            |                             |                     |

**PROFILI GJATESOR 8**

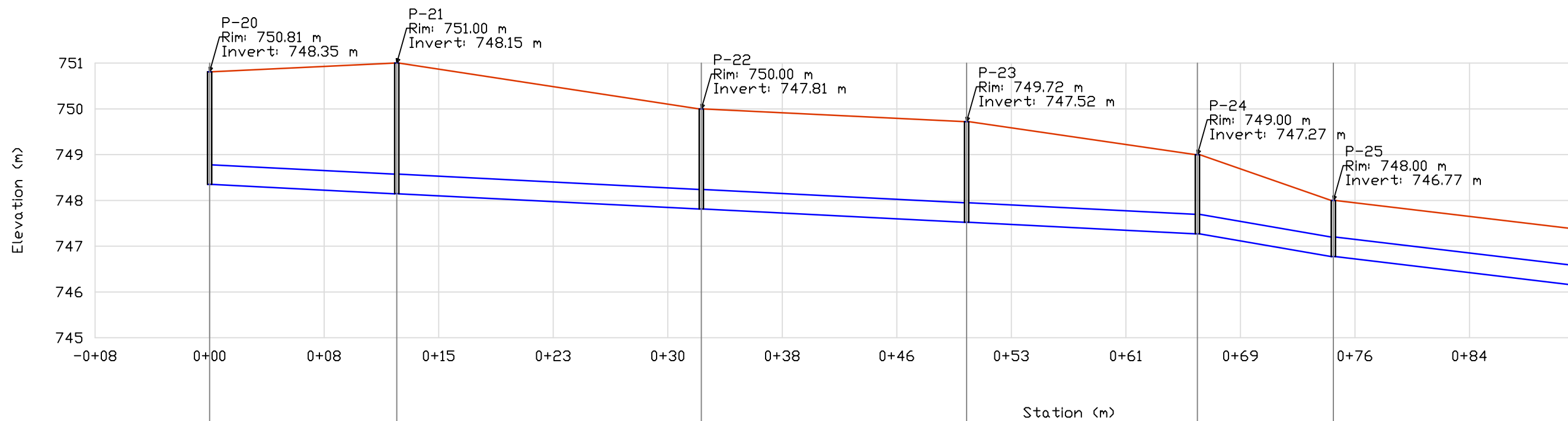


|                       |          |          |          |          |          |          |
|-----------------------|----------|----------|----------|----------|----------|----------|
| Gjatësia              | 61.5     | 19.9     | 72.1     | 40.5     | 75.4     |          |
| Diametri              | Dj-250mm | Dj-250mm | Dj-250mm | Dj-250mm | Dj-250mm |          |
| Kapaciteti Tubacionit | 56.65    | 16.49    | 61.25    | 16.49    | 38.92    |          |
| Pjerrësia (m/m)       | 0.059    | 0.005    | 0.069    | 0.005    | 0.028    |          |
| Emertim Pusete        | 151\P-60 | 152\P-61 | 154\P-62 | 156\P-63 | 158\P-64 | 160\P-65 |
| Kuote Toke            | 814.00   | 810.89   | 810.68   | 805.30   | 805.48   | 803.52   |
| Kuote Projekti        | 813.02   | 809.40   | 809.30   | 804.32   | 804.12   | 802.02   |
| Progresivi            | 0+00     | 0+62     | 0+81     | 1+54     | 1+94     | 2+69     |


|            |   |   |                             |                           |                             |                            |                             |                     |
|------------|---|---|-----------------------------|---------------------------|-----------------------------|----------------------------|-----------------------------|---------------------|
| POROSITES: | <b>BASHKIA BULQIZE</b>  | <b>"ERALD - G" SH.P.K</b>   | <b>DREJTUES I PROJEKTIT</b> | <b>PROJEKTUES</b>         |                             |                            | <b>SHKALLA</b>              | <b>NR. I FLETES</b> |
| OBJEKTI:   | <b>"NDERTIM SISTEM KANALIZIMESH DHE IMPIANT TRAJTIMI TE UJERAVE TE NDOTURA NE QYTETIN BULQIZE E RE"</b> |  RRUGA. KONGRESI I LUSHNJES, TIRANE, | INXH. <b>GEZIM ISLAMI</b>   | INXH. <b>GEZIM ISLAMI</b> | TOP. <b>KUJTIM CANAMETI</b> | INXH. <b>ERINDI GJOKA</b>  | SH.H. 1:1500<br>SH.V. 1:150 | <b>2-13</b>         |
|            |   |   |                             | HIDR. <b>ANISA ZAKA</b>   | ELEK. <b>HAJDAR KURTI</b>   | GJEO. <b>SHKELZEN QOKA</b> | <b>TIRANE 2022</b>          | <b>FORMAT A3</b>    |
|            |   |   |                             | INXH. <b>ENDRI PIERO</b>  | MEK. <b>ARBEN MUHA</b>      |                            |                             |                     |



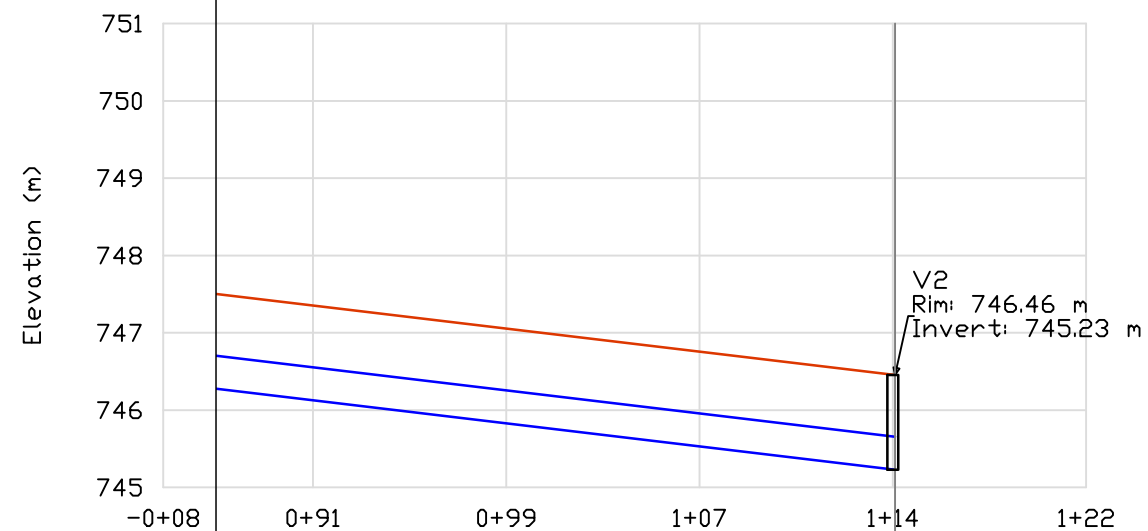
**PROFILI GJATESOR 9**



|                       |          |         |          |         |          |         |          |  |          |  |
|-----------------------|----------|---------|----------|---------|----------|---------|----------|--|----------|--|
| Gjatësia              | 40.9     |         | 66.5     |         | 57.9     |         | 50.4     |  | 29.7     |  |
| Diametri              | Dj-500mm |         | Dj-500mm |         | Dj-500mm |         | Dj-500mm |  | Dj-500mm |  |
| Kapaciteti Tubacionit | 175.28   |         | 175.28   |         | 175.28   |         | 175.28   |  | 321.46   |  |
| Pjerrësia (m/m)       | 0.005    |         | 0.005    |         | 0.005    |         | 0.005    |  | 0.017    |  |
| Emertim Pusete        | 67\P-20  | 69\P-21 | 71\P-22  | 73\P-23 | 75\P-24  | 77\P-25 |          |  |          |  |
| Kuote Take            | 750.81   | 751.00  | 750.00   | 749.72  | 749.00   | 748.00  |          |  |          |  |
| Kuote Projekti        | 748.35   | 748.15  | 747.81   | 747.52  | 747.27   | 746.77  |          |  |          |  |
| Progresivi            | 0+00     | 0+41    | 1+07     | 1+65    | 2+16     | 2+45    |          |  |          |  |

|            |   |  |                            |                           |                           |                             |                           |                             |
|------------|---|--|----------------------------|---------------------------|---------------------------|-----------------------------|---------------------------|-----------------------------|
| POROSITES: | <b>BASHKIA BULQIZE</b>  | <b>"ERALD - G" SH.P.K</b><br><br>RRUGA KONGRESI I LUSHNYES, TIRANE, | <b>DREJTUES I PROJEKTI</b> | <b>PROJEKTUES</b>         |                           |                             | <b>SHKALLA</b>            | <b>NR. I FLETES</b>         |
| OBJEKTI:   | <b>"NDERTIM SISTEM KANALIZIMESH DHE IMPIANT TRAJTIMI TE UJERAVE TE NDOTURA NE QYTETIN BULQIZE E RE"</b> |  | INXH. <b>GEZIM ISLAMI</b>  | INXH. <b>GEZIM ISLAMI</b> | INXH. <b>GEZIM ISLAMI</b> | TOP. <b>KUJTIM CANAMETI</b> | INXH. <b>ERINDI GJOKA</b> | SH.H. 1:1500<br>SH.V. 1:150 |
|            |   |  |                            | INXH. <b>ENDRI PIERO</b>  | ELEK. <b>HAJDAR KURTI</b> | GJEO. <b>SHKELZEN QOKA</b>  | <b>TIRANE 2022</b>        | <b>FORMAT A3</b>            |

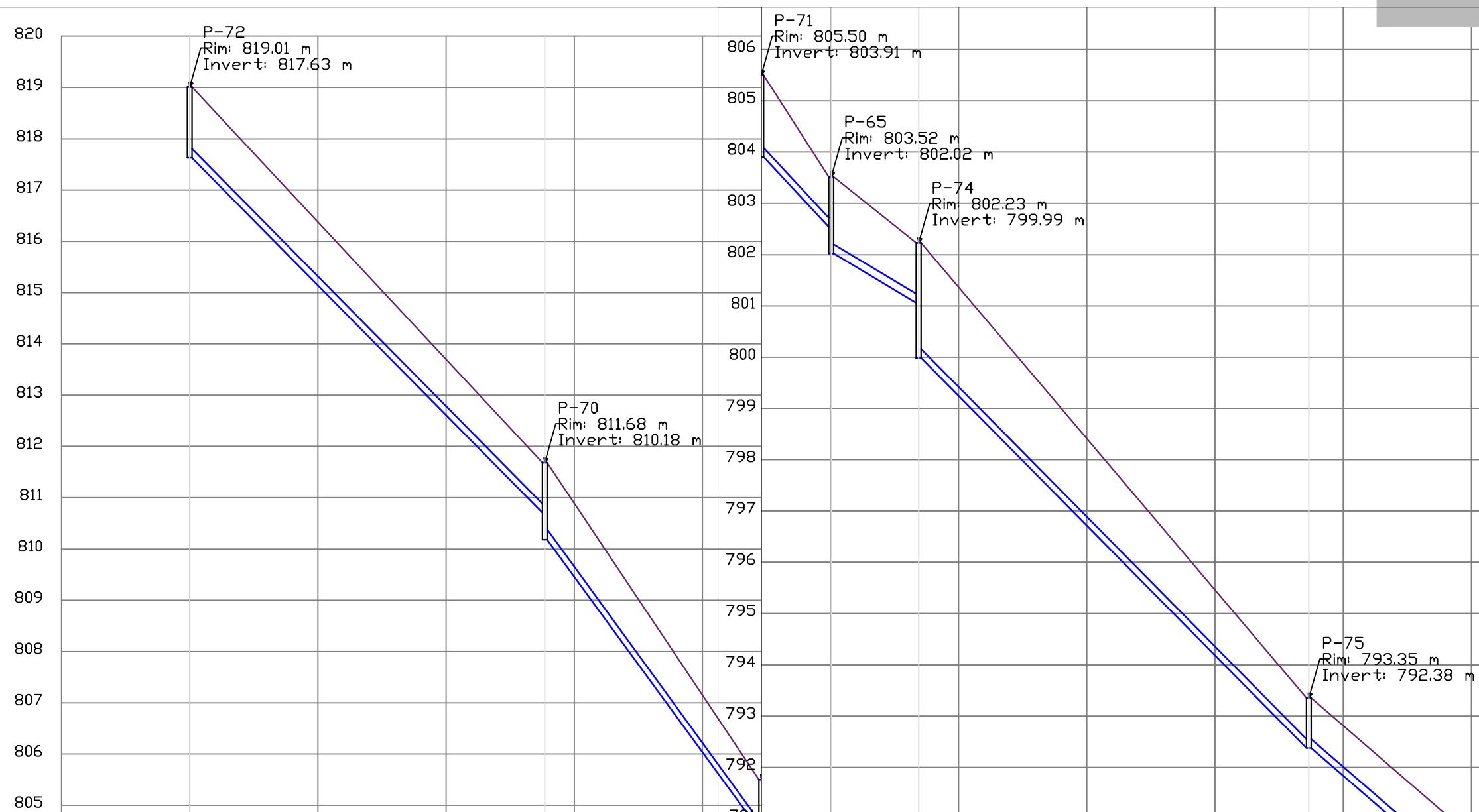
PROFILI GJATESOR 9



|                       |          |
|-----------------------|----------|
| Gjatësia              | 130.0    |
| Diametri              | Dj-500mm |
| Kapaciteti Tubacionit | 270.14   |
| Pjerrësia (m/m)       | 0.012    |
| Emertim Pusete        | 202\ V2  |
| Kuote Toke            | 746.46   |
| Kuote Projekti        | 745.23   |
| Progresivi            | 3+75     |

|            |  |   |                              |                           |                             |                            |                             |                     |
|------------|--|---|------------------------------|---------------------------|-----------------------------|----------------------------|-----------------------------|---------------------|
| POROSITES: | <b>BASHKIA BULQIZE</b>   | <b>"ERALD - G" SH.P.K</b>   | <b>DREJTUES I PROJEKSTIT</b> | <b>PROJEKTUES</b>         |                             |                            | <b>SHKALLA</b>              | <b>NR. I FLETES</b> |
| OBJEKTI:   | "NDERTIM SISTEM KANALIZIMESH DHE IMPIANT TRAJTIMI TE UJERAVE TE NDOTURA NE QYTETIN BULQIZE E RE" |  RRUGA. KONGRESI I LUSHNJES, TIRANE, | INXH. <b>GEZIM ISLAMI</b>    | INXH. <b>GEZIM ISLAMI</b> | TOP. <b>KUJTIM CANAMETI</b> | INXH. <b>ERINDI GJOKA</b>  | SH.H. 1:1500<br>SH.V. 1:150 | <b>2-15</b>         |
|            |  |   |                              | HIDR. <b>ANISA ZAKA</b>   | ELEK. <b>HAJDAR KURTI</b>   | GJEO. <b>SHKELZEN QOKA</b> | <b>TIRANE 2022</b>          | <b>FORMAT A3</b>    |
|            |  |   |                              | INXH. <b>ENDRI PIERO</b>  | MEK. <b>ARBEN MUHA</b>      |                            |                             |                     |

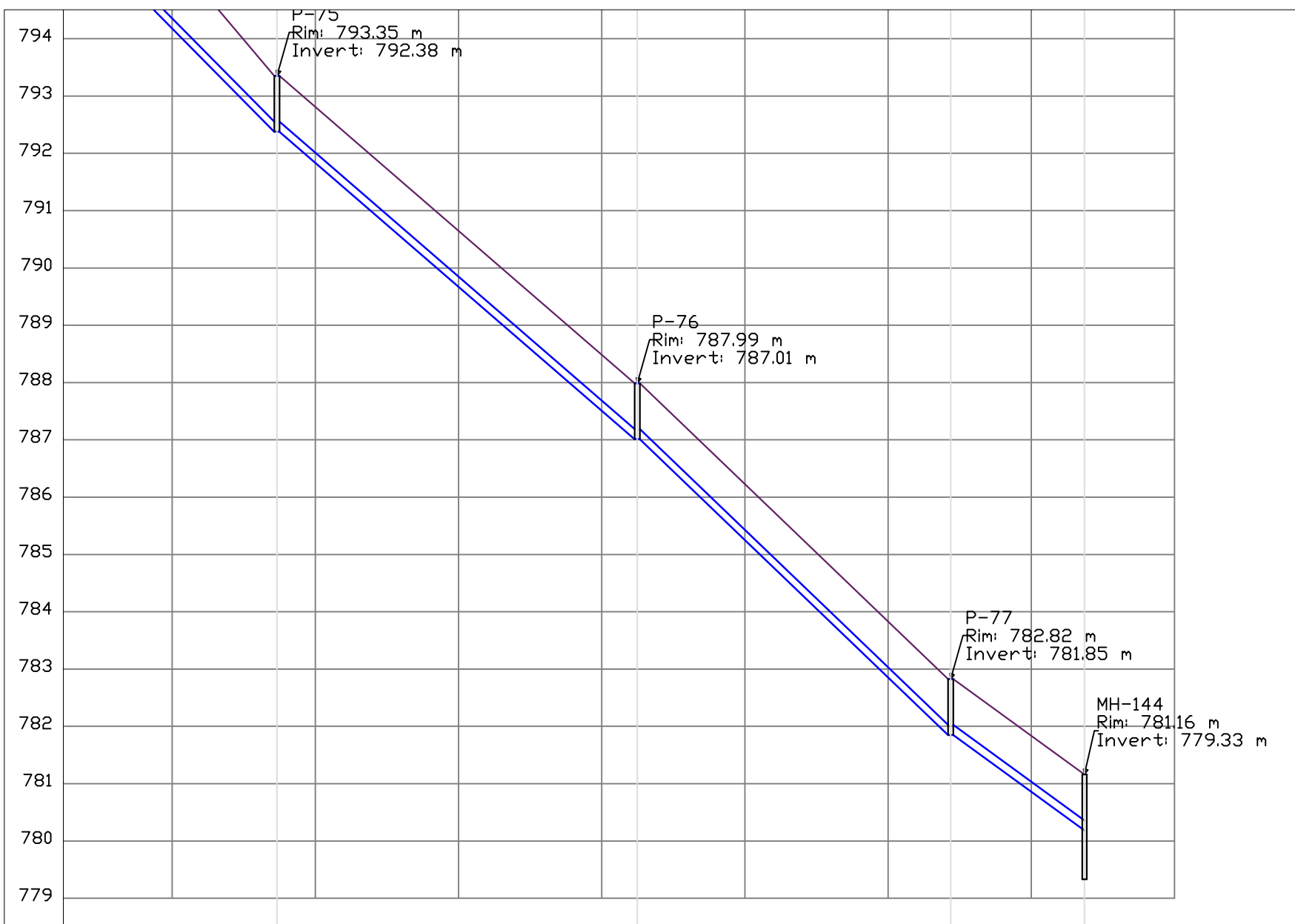
**PROFILI GJATESOR 9**



|                       |                   |                   |                   |                   |                   |                   |          |
|-----------------------|-------------------|-------------------|-------------------|-------------------|-------------------|-------------------|----------|
| Gjatësia              | 69.2              | 42.3              | 13.7              | 17.1              | 76.1              | 62.9              |          |
| Diametri              | Circle - 176.0 mm | Circle - 176.0 mm | Circle - 176.0 mm | Circle - 176.0 mm | Circle - 176.0 mm | Circle - 176.0 mm |          |
| Kapaciteti Tubacionit | 73.76             | 73.76             | 73.76             | 55.46             | 73.76             | 68.11             |          |
| Pjerrësia (m/m)       | 0.100             | 0.100             | 0.100             | 0.057             | 0.100             | 0.085             |          |
| Emertim Pusete        | 174\P-72          | 169\P-70          | 171\P-71          | 160\P-65          | 178\P-74          | 180\P-75          | 182\P-76 |
| Kuote Toke            | 819.01            | 811.68            | 805.50            | 803.52            | 802.23            | 793.35            | 787.99   |
| Kuote Projekti        | 817.63            | 810.18            | 803.91            | 802.02            | 799.99            | 792.38            | 787.01   |
| Progresivi            | 0+00              | 0+69              | 1+11              | 1+25              | 1+42              | 2+18              | 2+81     |

|            |   |   |                            |                           |                             |                            |                             |                     |
|------------|---|---|----------------------------|---------------------------|-----------------------------|----------------------------|-----------------------------|---------------------|
| POROSITES: | <b>BASHKIA BULQIZE</b>  | <b>"ERALD - G" SH.P.K</b><br>RRUGA KONGRESI I LUSHNYES, TIRANE, | <b>DREJTUES I PROJEKTI</b> | <b>PROJEKTUES</b>         |                             |                            | <b>SHKALLA</b>              | <b>NR. I FLETES</b> |
| OBJEKTI:   | <b>"NDERTIM SISTEM KANALIZIMESH DHE IMPIANT TRAJTIMI TE UJERAVE TE NDOTURA NE QYTETIN BULQIZE E RE"</b> |   | INXH. <b>GEZIM ISLAMI</b>  | INXH. <b>GEZIM ISLAMI</b> | TOP. <b>KUJTIM CANAMETI</b> | INXH. <b>ERINDI GJOKA</b>  | SH.H. 1:1500<br>SH.V. 1:150 | <b>2-16</b>         |
|            |   |   |                            | HIDR. <b>ANISA ZAKA</b>   | ELEK. <b>HAJDAR KURTI</b>   | GJEO. <b>SHKELZEN QOKA</b> | <b>TIRANE 2022</b>          | <b>FORMAT A3</b>    |
|            |   |   |                            | INXH. <b>ENDRI PIERO</b>  | MEK. <b>ARBEN MUHA</b>      |                            |                             |                     |

**PROFILI GJATESOR 9**



|                       |          |                   |                   |                   |
|-----------------------|----------|-------------------|-------------------|-------------------|
| Gjatësia              | 1        | 62.9              | 54.7              | 23.3              |
| Diametri              | 176.0 mm | Circle - 176.0 mm | Circle - 176.0 mm | Circle - 176.0 mm |
| Kapaciteti Tubacionit | 76       | 68.11             | 71.63             | 62.27             |
| Pjerrësia (m/m)       | 00       | 0.085             | 0.094             | 0.071             |
| Emertim Pusete        | 180\P-75 | 182\P-76          | 184\P-77          | MH-144            |
| Kuote Toke            | 793.35   | 787.99            | 782.82            | 781.16            |
| Kuote Projekti        | 792.38   | 787.01            | 781.85            | 779.33            |
| Progresivi            | 2+18     | 2+81              | 3+36              | 3+59              |

|            |   |   |                             |                           |                             |                            |                             |                     |
|------------|---|---|-----------------------------|---------------------------|-----------------------------|----------------------------|-----------------------------|---------------------|
| POROSITES: | <b>BASHKIA BULQIZE</b>  | <b>"ERALD - G" SH.P.K</b>   | <b>DREJTUES I PROJEKTIT</b> | <b>PROJEKTUES</b>         |                             |                            | <b>SHKALLA</b>              | <b>NR. I FLETES</b> |
| OBJEKTI:   | <b>"NDERTIM SISTEM KANALIZIMESH DHE IMPIANT TRAJTIMI TE UJERAVE TE NDOTURA NE QYTETIN BULQIZE E RE"</b> |  RRUGA. KONGRESI I LUSHNYES, TIRANE, | INXH. <b>GEZIM ISLAMI</b>   | INXH. <b>GEZIM ISLAMI</b> | TOP. <b>KUJTIM CANAMETI</b> | INXH. <b>ERINDI GJOKA</b>  | SH.H. 1:1500<br>SH.V. 1:150 | <b>2-17</b>         |
|            |   |   |                             | HIDR. <b>ANISA ZAKA</b>   | ELEK. <b>HAJDAR KURTI</b>   | GJEO. <b>SHKELZEN QOKA</b> | <b>TIRANE 2022</b>          | <b>FORMAT A3</b>    |
|            |   |   |                             | INXH. <b>ENDRI PIERO</b>  | MEK. <b>ARBEN MUHA</b>      |                            |                             |                     |

# PROFILAT

# TIP

**OBJEKTI**

**NDËRTIM SISTEM KANALIZIMESH DHE IMPIANT TRAJTIMI  
TË UJËRAVE TË NDOTURA NË QYTETIN BULQIZË E RE**

**AUTORITETI  
KONTRAKTOR**

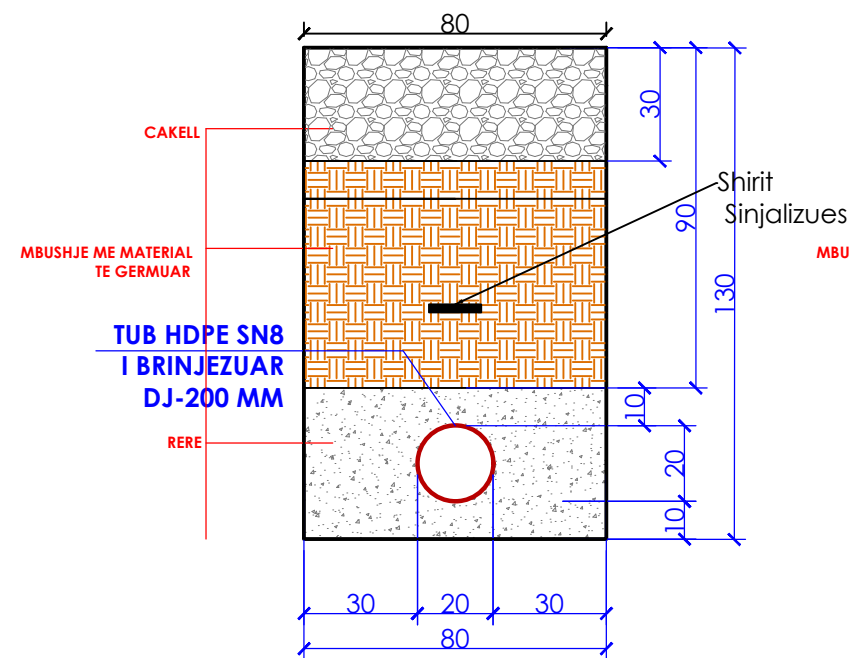
**BASHKIA BULQIZË**

**KONSULENTI**

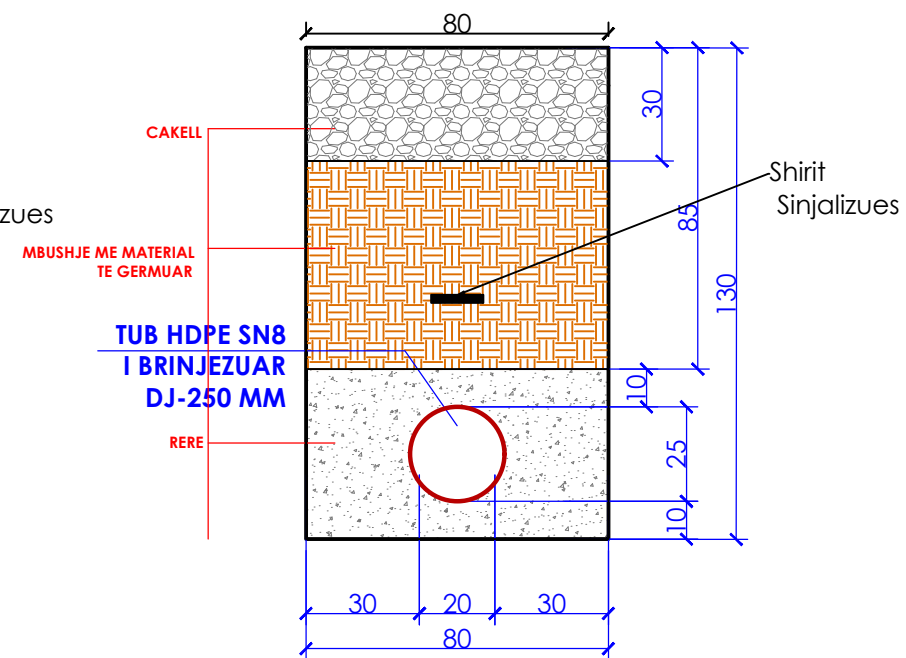
**“ERALD-G” Shpk**

**VITI 2022**

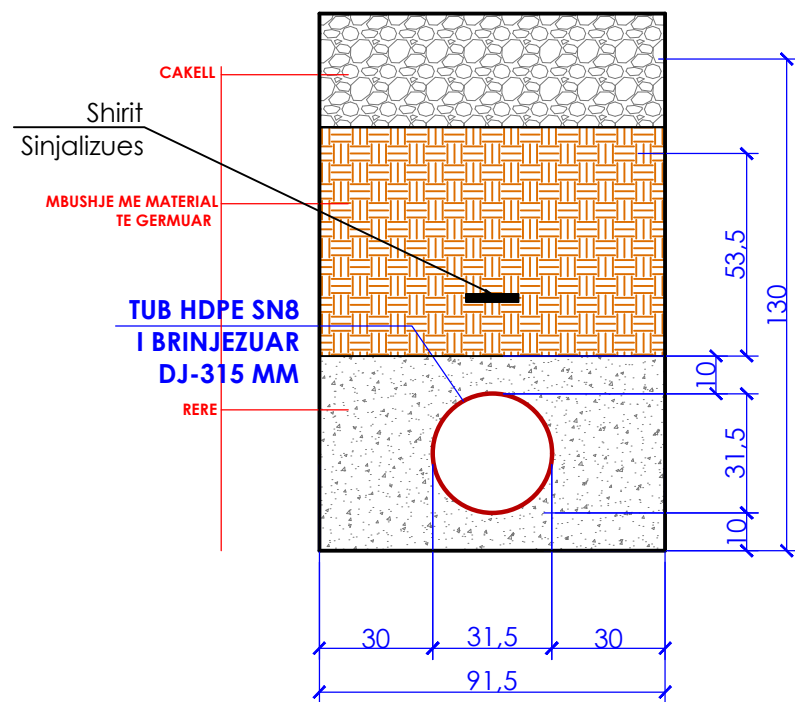
1. Ø200 - Hmes.= 1.2M - L= 3756 ML



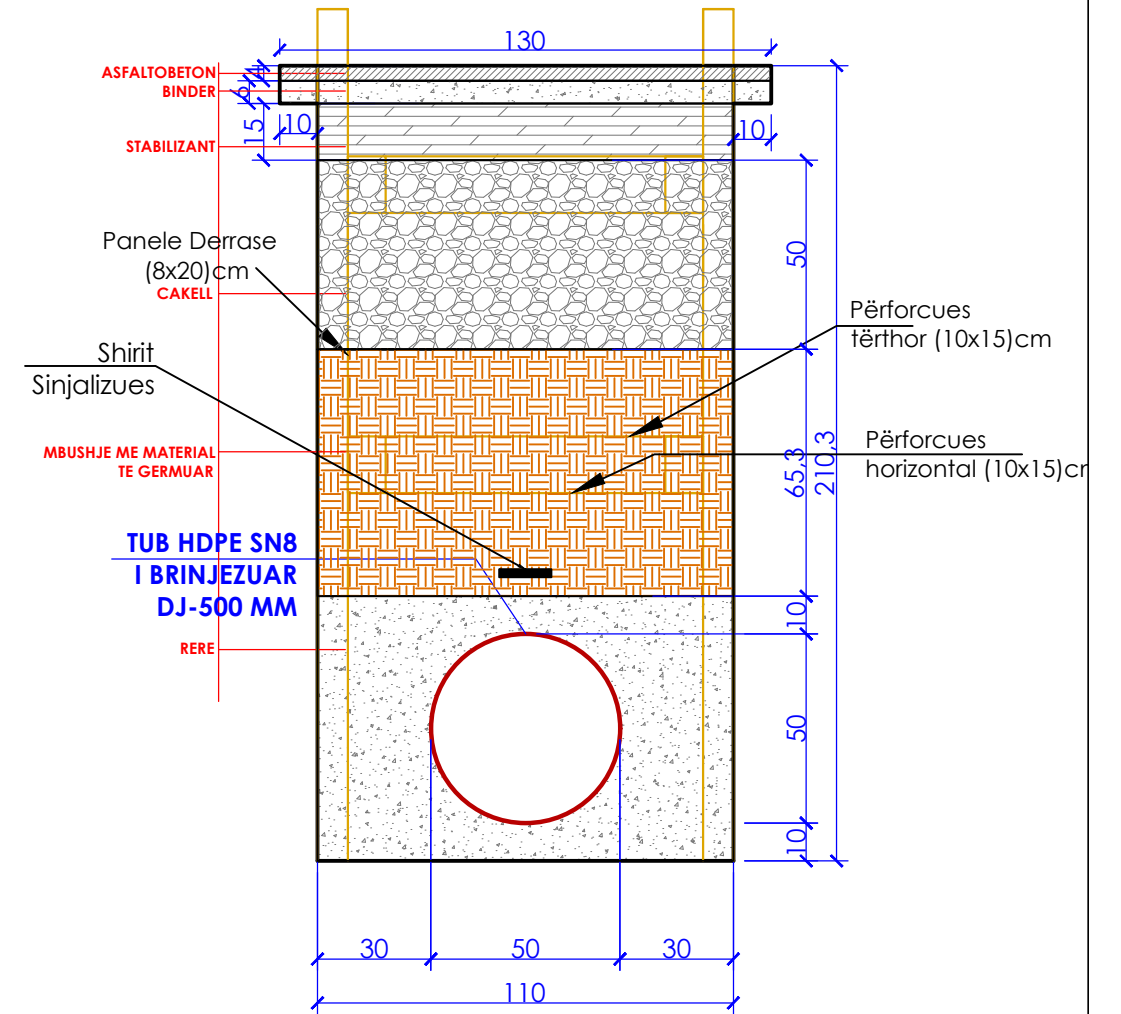
2. Ø250 - Hmes.= 1.22M - L= 390 ML



3. Ø315 - Hmes.= 1.32 M - L= 478 ML

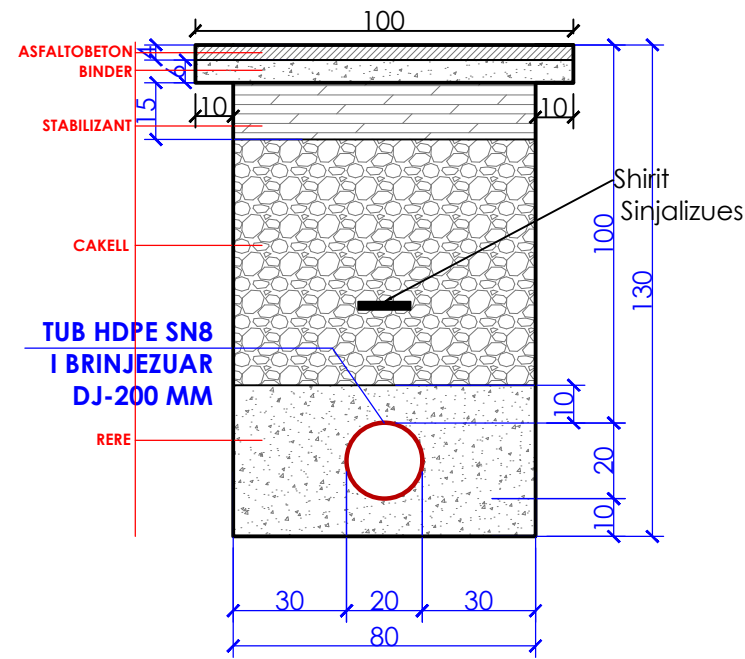


4. Ø500 - Hmes.= 2.0 M - L= 376 ML

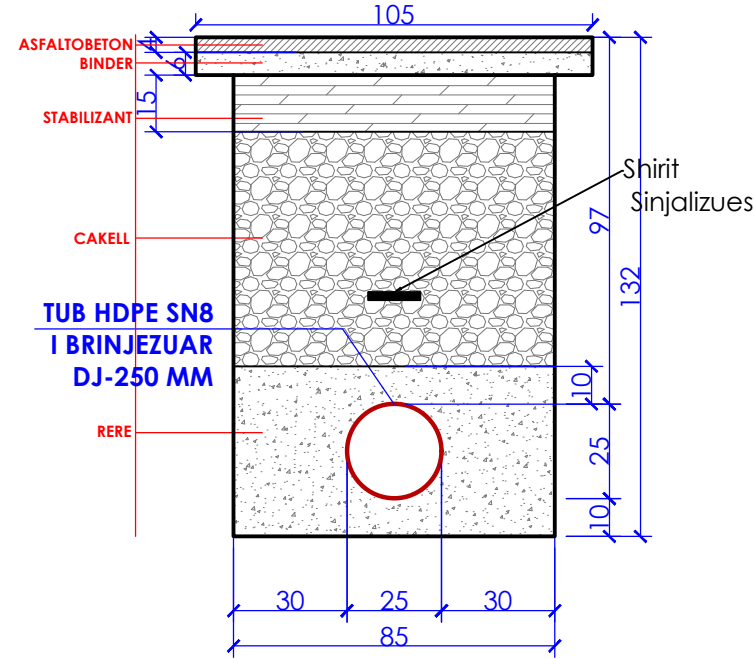


|            |  |   |                            |                    |                      |                      |                |                     |
|------------|--|---|----------------------------|--------------------|----------------------|----------------------|----------------|---------------------|
| POROSITES: | <b>BASHKIA BULQIZE</b>   | <b>"ERALD - G" SH.P.K</b>                 | <b>DREJTUES I PROJEKTI</b> | <b>PROJEKTUES</b>  |                      |                      | <b>SHKALLA</b> | <b>NR. I FLETES</b> |
| OBJEKTI:   | "NDERTIM SISTEM KANALIZIMESH DHE IMPIANT TRAJTIMI TE UJERAVE TE NDOTURA NE QYTETIN BULQIZE E RE" | RRUGA:<br>KONGRESI I LUSHNYES,<br>TIRANE, | INXH. GEZIM ISLAMI         | INXH. GEZIM ISLAMI | TOP. KUJTIM CANAMETI | INXH. ERINDI GJOKA   | SH: 1:20       | 3-01                |
|            |  |   |                            | HIDR. ANISA ZAKA   | ELEK. HAJDAR KURTI   | G.JEO. SHKELZEN QOKA | TIRANE 2022    | FORMAT A3           |
|            |  |   |                            | INXH. ENDRI PIERO  | MEK. ARBEN MUHA      |                      |                |                     |

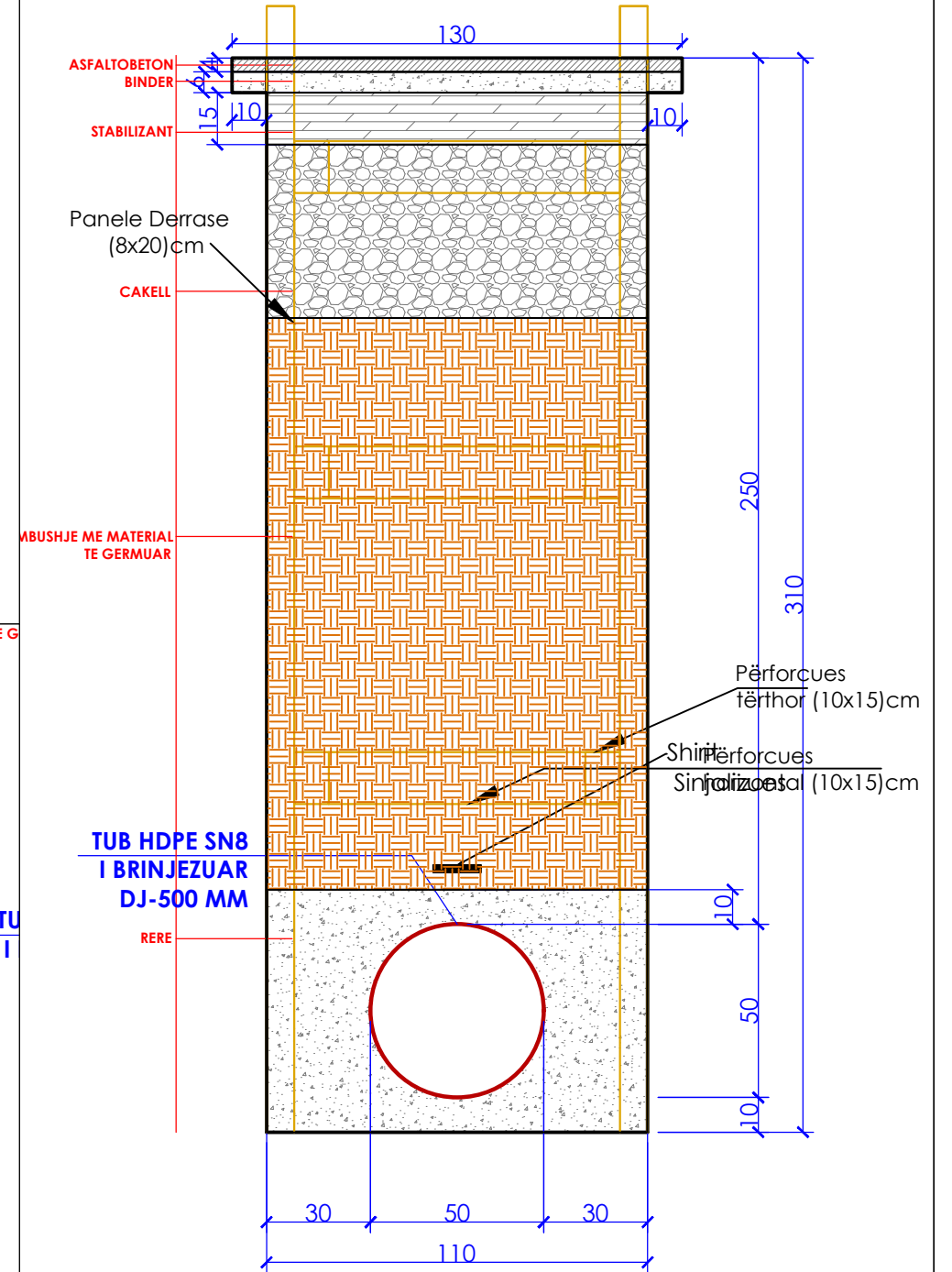
1. Ø200 - Hmes.= 1.2M - L= 2516 ML



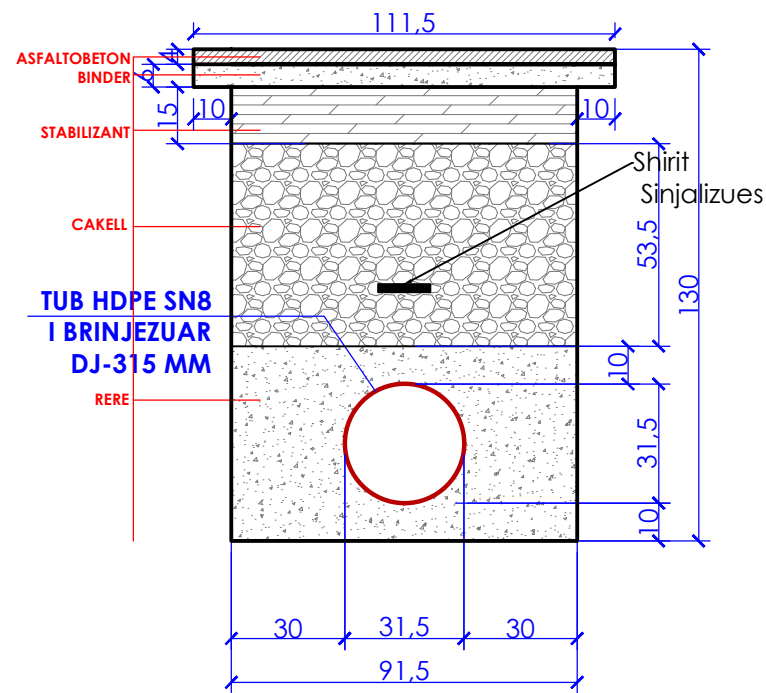
2. Ø250 - Hmes.= 1.22M - L= 422 ML



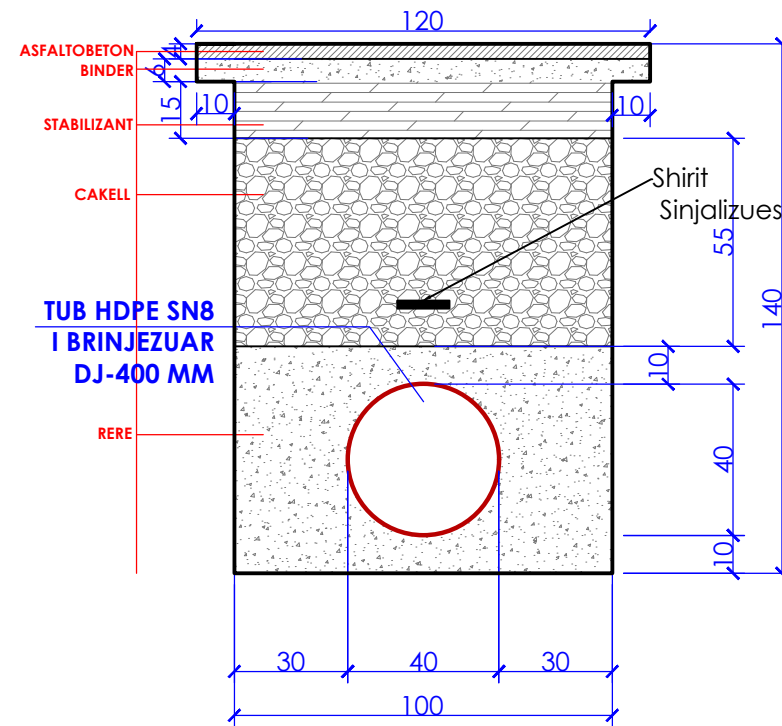
5. Ø500 - Hmes.= 3.0 M - L= 280 ML



3. Ø315 - Hmes.= 1.0 M - L= 670 ML

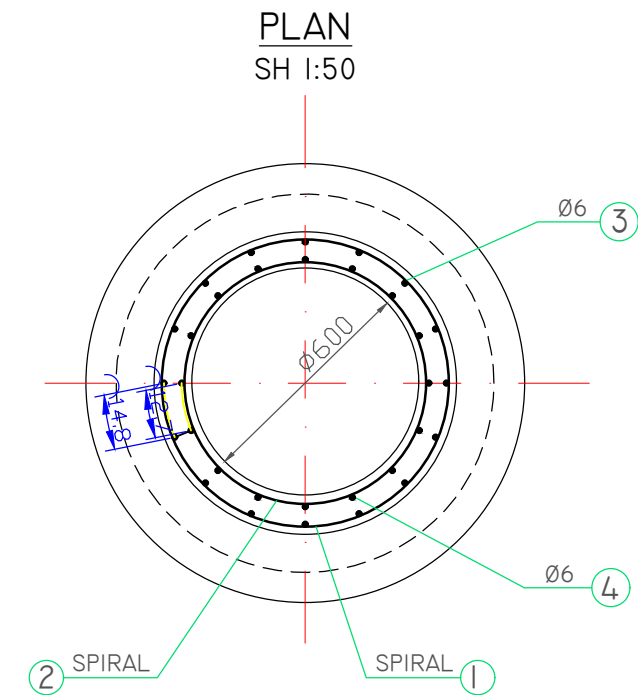
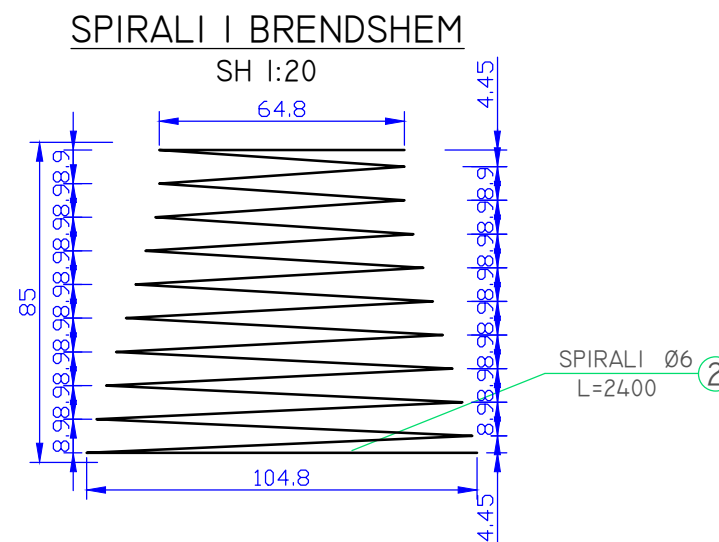
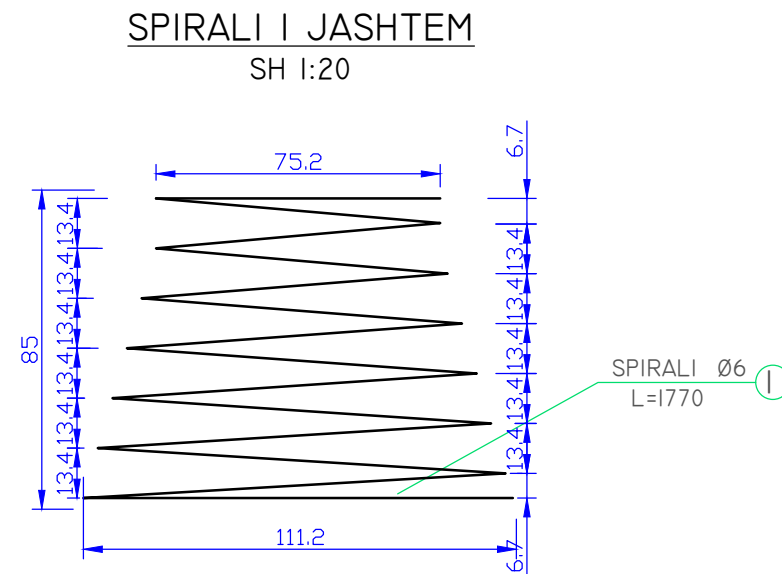
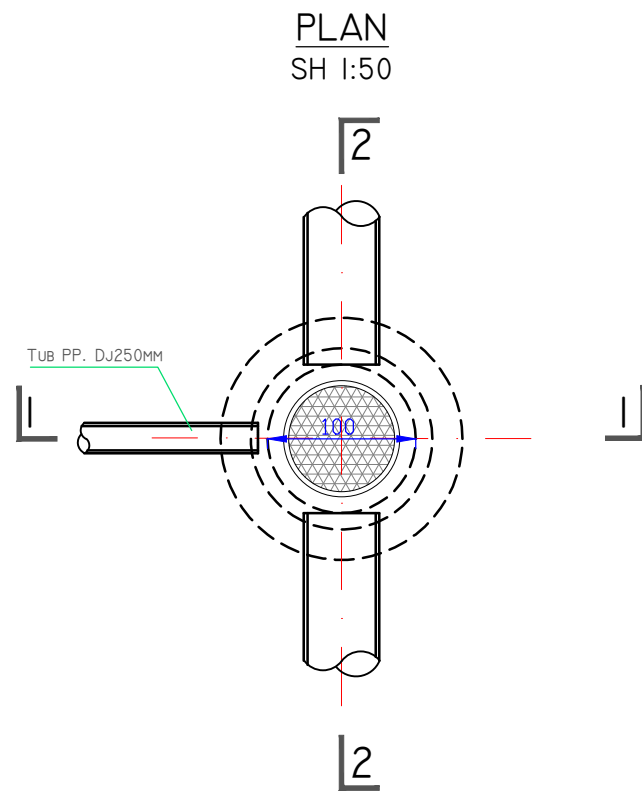
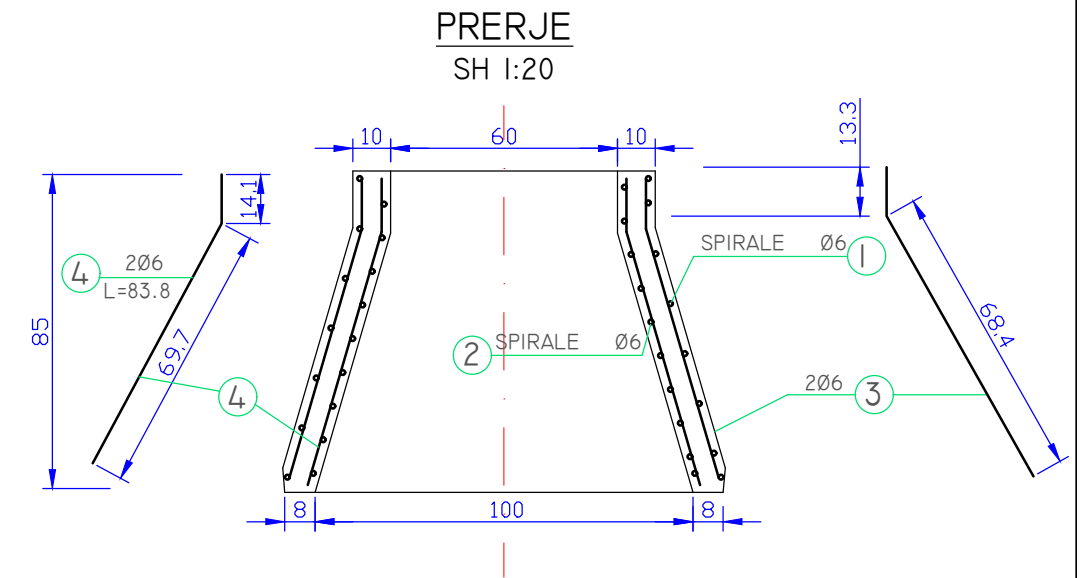
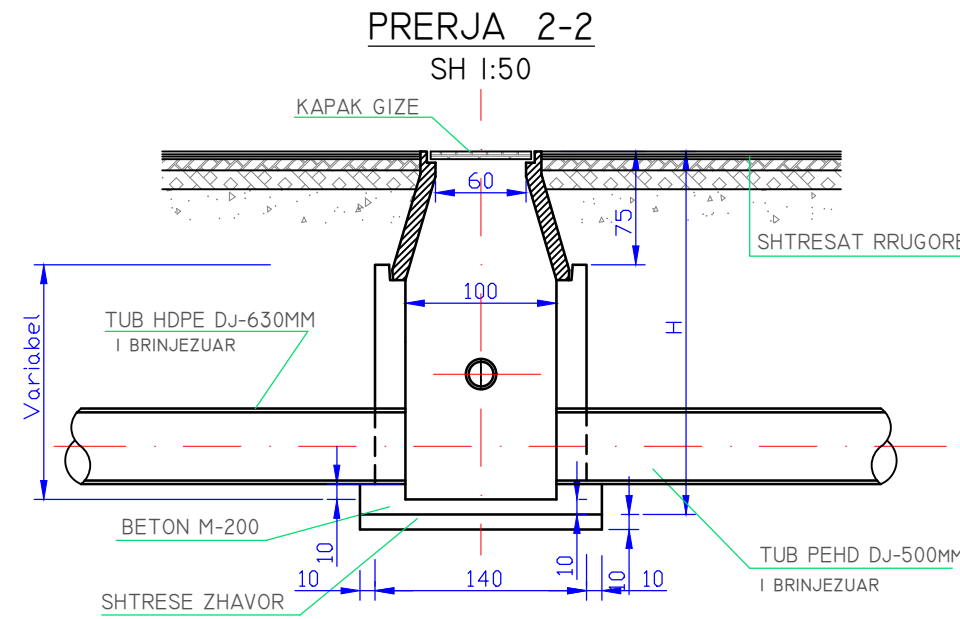
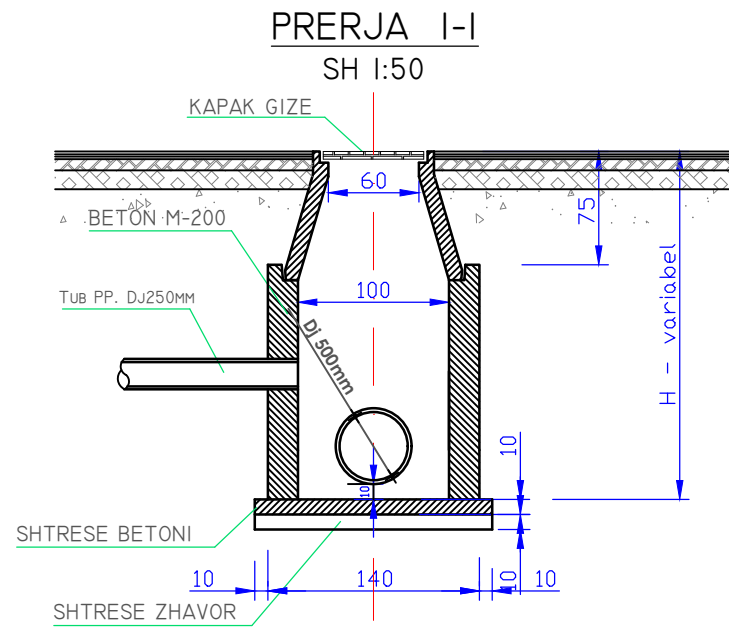


4. Ø400 - Hmes.= 1.2 M - L= 510 ML



|            |  |                                     |                             |                    |                      |                     |                |                     |
|------------|--|-------------------------------------|-----------------------------|--------------------|----------------------|---------------------|----------------|---------------------|
| POROSITES: | <b>BASHKIA BULQIZE</b>   | <b>"ERALD - G" SH.P.K</b>           | <b>DREJTUES I PROJEKTIT</b> | <b>PROJEKTUES</b>  |                      |                     | <b>SHKALLA</b> | <b>NR. I FLETES</b> |
| OBJEKTI:   | "NDERTIM SISTEM KANALIZIMESH DHE IMPIANT TRAJTIMI TE UJERAVE TE NDOTURA NE QYTETIN BULQIZE E RE" | RRUGA: KONGRESI I LUSHNYES, TIRANE. | INXH. GEZIM ISLAMI          | INXH. GEZIM ISLAMI | TOP. KUJTIM CANAMETI | INXH. ERINDI GJOKA  | SH: 1:20       | 3-02                |
|            |  |                                     |                             | HIDR. ANISA ZAKA   | ELEK. HAJDAR KURTI   | GJEO. SHKELZEN QOKA |                |                     |
|            |  |                                     |                             | INXH. ENDRI PIERO  | MEK. ARBEN MUHA      |                     | TIRANE 2022    | FORMAT A3           |

DETAJ I LIDHJES SE TUBACIONIT NE DALJE TE OBJEKTIT ME RRJETIN PUBLIK TE KANALIZIMEVE



|            |   |  |   |                    |                      |                    |                            |                             |
|------------|---|--|---|--------------------|----------------------|--------------------|----------------------------|-----------------------------|
| POROSITES: | <b>BASHKIA BULQIZE</b>  | <b>"ERALD - G" SH.P.K</b><br>RRUGA:<br>KONGRESI I LUSHNJES,<br>TIRANE. | <b>DREJTUES I PROJEKTIT</b><br>INXH. GEZIM ISLAMI | <b>PROJEKTUES</b>  |                      |                    | <b>SHKALLA</b><br>SH: 1:20 | <b>NR. I FLETES</b><br>3-03 |
| OBJEKTI:   | "NDERTIM SISTEM KANALIZIMESH DHE IMPIANT TRAJTIMI<br>TE UJERAVE TE NDOTURA NE QYTETIN BULQIZE E RE" |  |   | INXH. GEZIM ISLAMI | TOP. KUJTIM CANAMETI | INXH. ERINDI GJOKA |                            |                             |
|            |   |  | HIDR. ANISA ZAKA                                  | ELEK. HAJDAR KURTI | GJEO. SHKELZEN QOKA  |                    |                            |                             |
|            |   |  | INXH. ENDRI PIERO                                 | MEK. ARBEN MUHA    |                      |                    |                            |                             |



**SKEMA**

# **TEKNOLOGJIKE E IMPIANTIT**

**OBJEKTI**

**NDËRTIM SISTEM KANALIZIMESH DHE IMPIANT TRAJTIMI  
TË UJËRAVE TË NDOTURA NË QYTETIN BULQIZË E RE**

**AUTORITETI  
KONTRAKTOR**

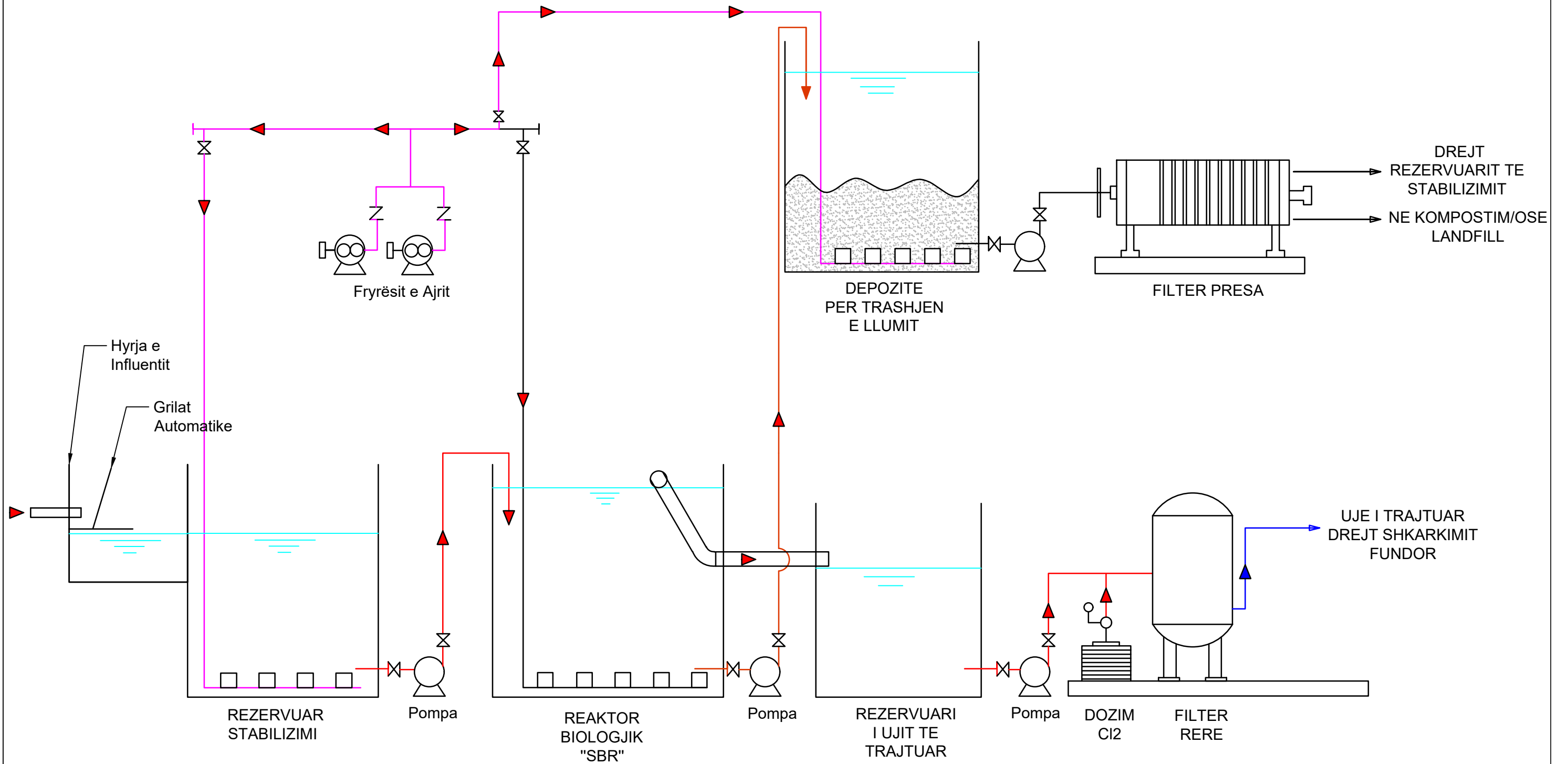
**BASHKIA BULQIZË**

**KONSULENTI**

**“ERALD-G” Shpk**

**VITI 2022**

SKEMA TEKNOLOGJIKE E IMPIANTIT TE TRAJTIMIT ME REAKTOR BIOLOGJIK TIP "SBR"



|            |  |   |                              |                    |                      |                     |                |                     |
|------------|--|---|------------------------------|--------------------|----------------------|---------------------|----------------|---------------------|
| POROSITES: | <b>BASHKIA BULQIZE</b>   | <b>"ERALD - G" SH.P.K</b>                 | <b>DREJTUES I PROJEKTTIT</b> | <b>PROJEKTUES</b>  |                      |                     | <b>SHKALLA</b> | <b>NR. I FLETES</b> |
| OBJEKTI:   | "NDERTIM SISTEM KANALIZIMESH DHE IMPIANT TRAJTIMI TE UJERAVE TE NDOTURA NE QYTETIN BULQIZE E RE" | RRUGA:<br>KONGRESI I LUSHNYES,<br>TIRANE, | INXH. GEZIM ISLAMI           | INXH. GEZIM ISLAMI | TOP. KUJTIM CANAMETI | INXH. ERINDI GJOKA  |                | 4-01                |
|            |  |   |                              | HIDR. ANISA ZAKA   | ELEK. HAJDAR KURTI   | GJEO. SHKELZEN QOKA |                | FORMAT A3           |
|            |  |   |                              | INXH. ENDRI PIERO  | MEK. ARBEN MUHA      |                     | TIRANE 2022    |                     |

**DEPO**

# **E UJIT TË TRAJTUAR V=30 m<sup>3</sup>**

**OBJEKTI**

**NDËRTIM SISTEM KANALIZIMESH DHE IMPIANT TRAJTIMI  
TË UJËRAVE TË NDOTURA NË QYTETIN BULQIZË E RE**

**AUTORITETI  
KONTRAKTOR**

**BASHKIA BULQIZË**

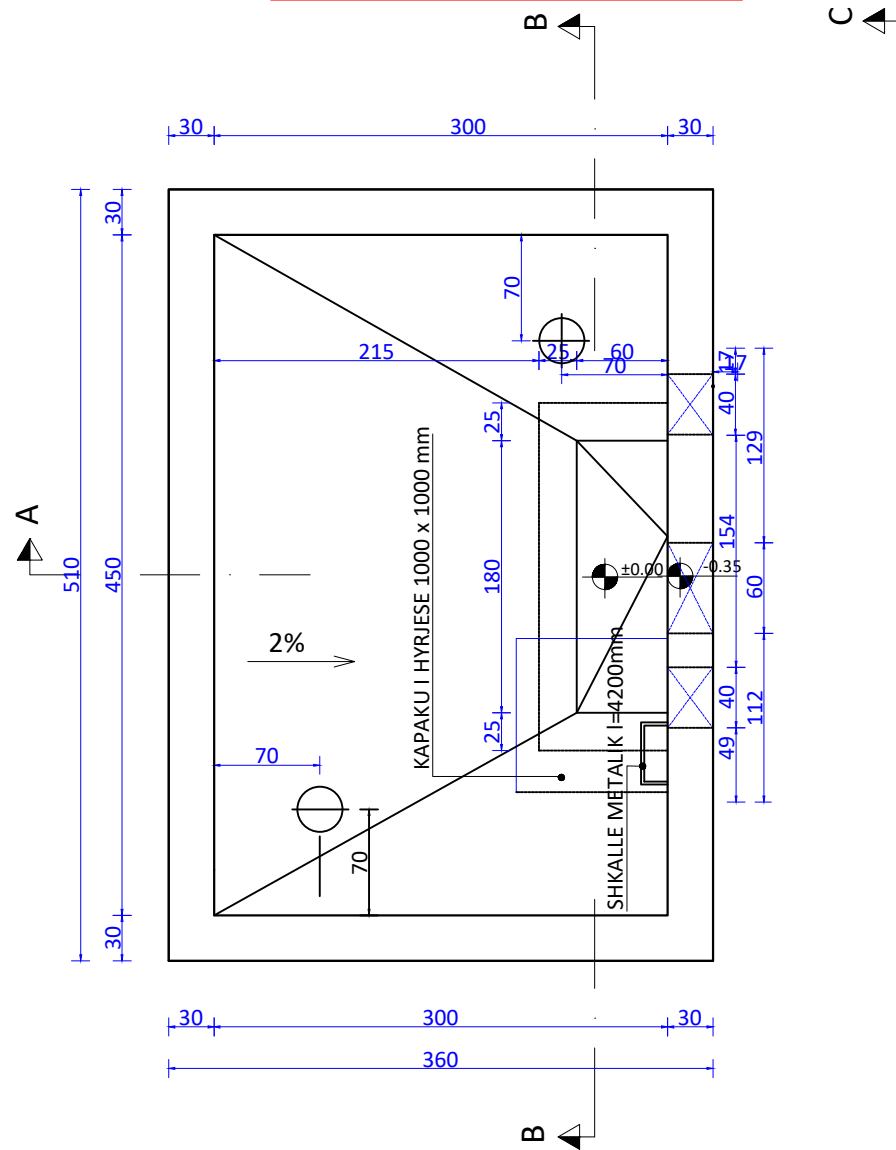
**KONSULENTI**

**“ERALD-G” Shpk**

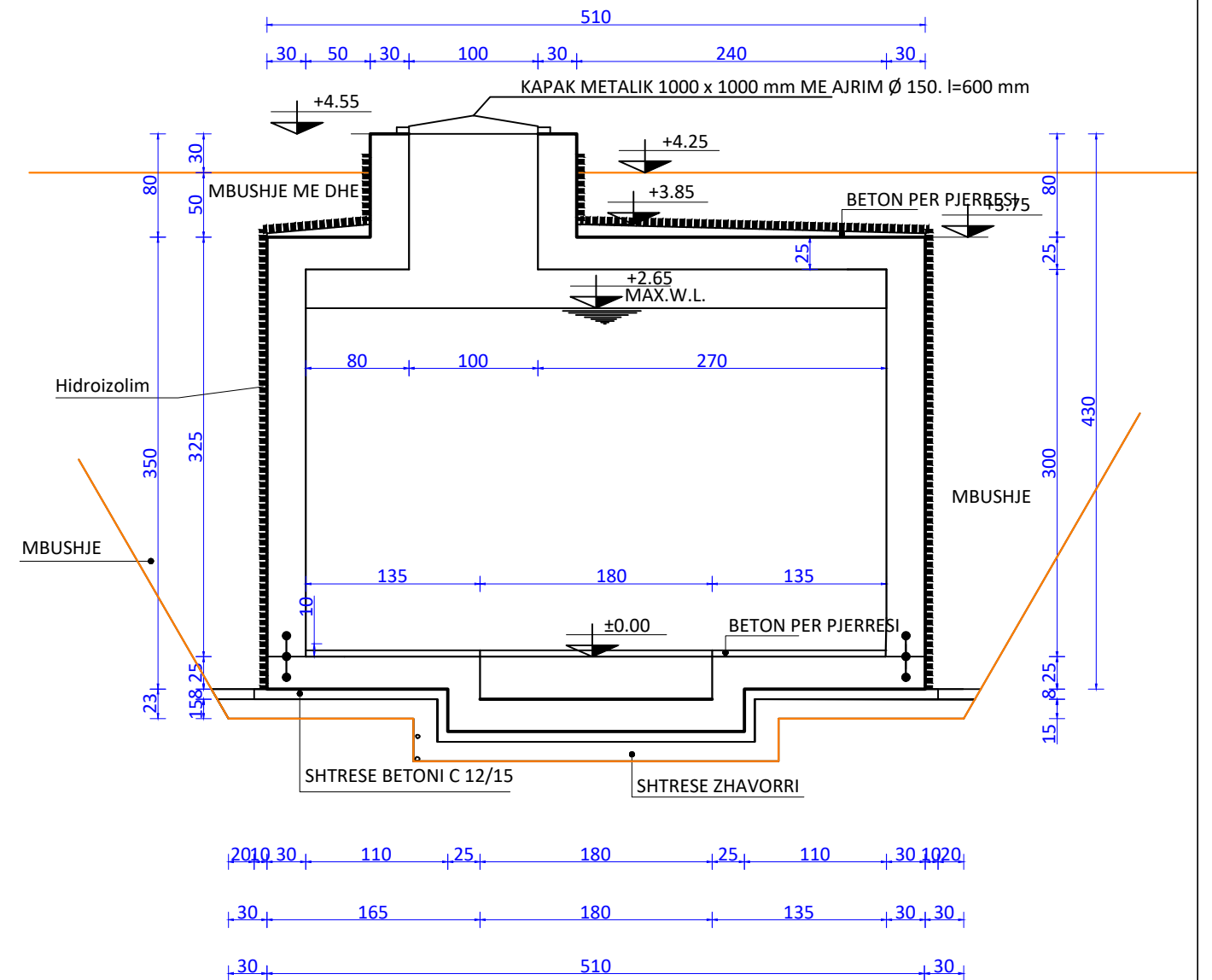
**VITI 2022**

DEPO UJI TE TRAJTUAR V=30m<sup>3</sup>

PLAN / PLANIMETRIA SH: 1:50



PRERJA B-B SH: 1:50



SHENIME TEKNIKE

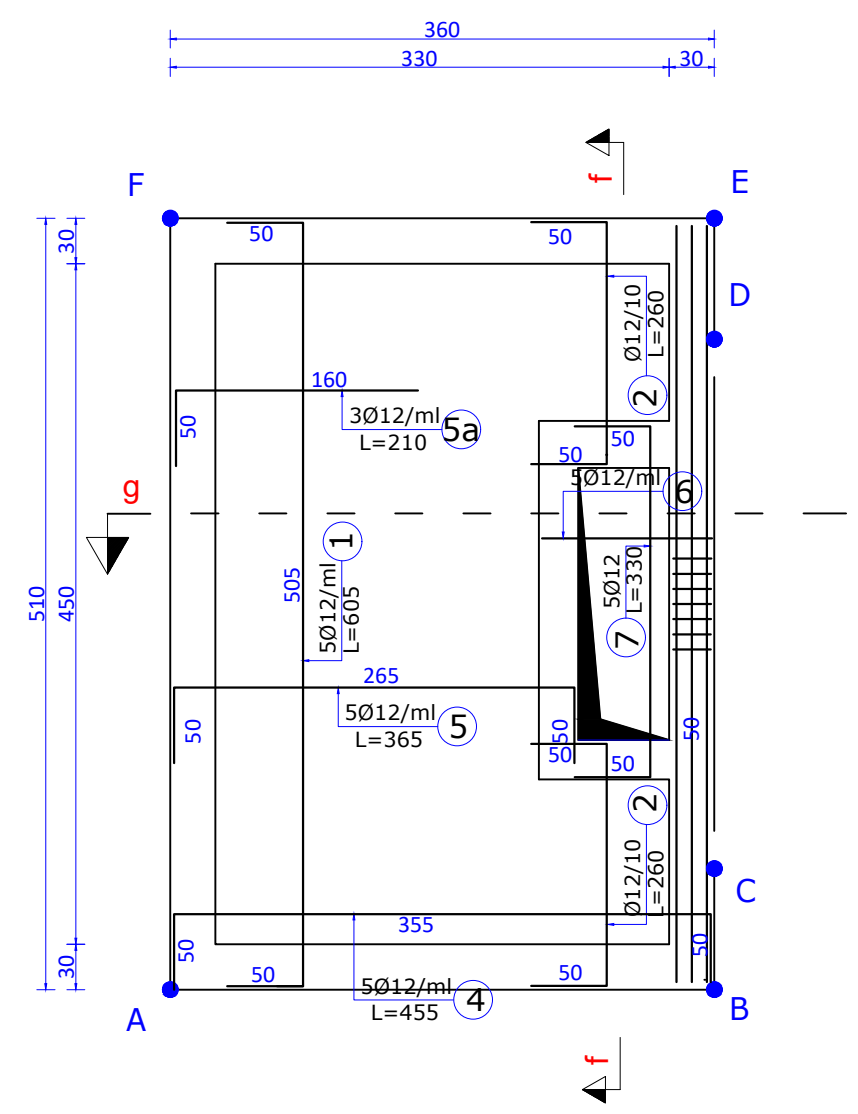
1- BETONI C 25/30

2-HEKURI 500S

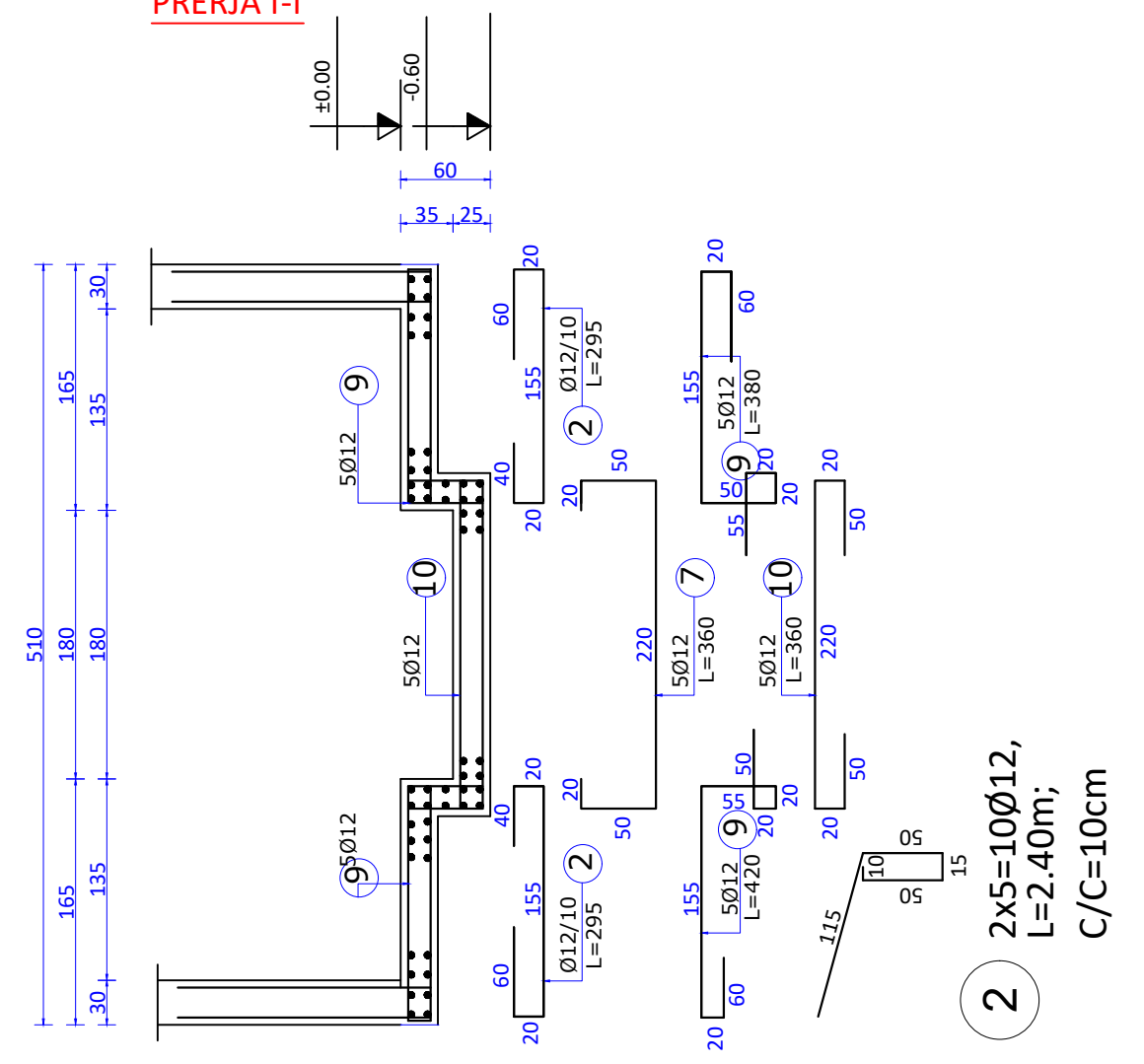
3- NE VENDET E BIRAVE , HEKURAT TE PRITEN NE VEND, MBASI  
TE JETE NDERTUAR KALLEPI I DRURIT

|            |   |   |  |                    |                      |                     |                  |                      |
|------------|---|---|--|--------------------|----------------------|---------------------|------------------|----------------------|
| POROSITES: | BASHKIA BULQIZE   | "ERALD - G" SH.P.K<br>RRUGA:<br>KONGRESI I LUSHNJES,<br>TIRANE, | DREJTUES I PROJEKTIT<br>INXH. GEZIM ISLAMI | PROJEKTUES         |                      |                     | SHKALLA<br>1:100 | NR. I FLETES<br>5-01 |
| OBJEKTI:   | "NDERTIM SISTEM KANALIZIMESH DHE IMPIANT TRAJTIMI<br>TE UJERAVE TE NDOTURA NE QYTETIN BULQIZE E RE" |   |  | INXH. GEZIM ISLAMI | TOP. KUJTIM CANAMETI | INXH. ERINDI GJOKA  |                  |                      |
|            |   |   |  | HIDR. ANISA ZAKA   | ELEK. HAJDAR KURTI   | GJEO. SHKELZEN QOKA | TIRANE 2022      | FORMAT A3            |
|            |   |   |  | INXH. ENDRI PIERO  | MEK. ARBEN MUHA      |                     |                  |                      |

ARMIMI I DYSHEMESE (SHUFRAT E POSHTEME)



PRERJA f-f

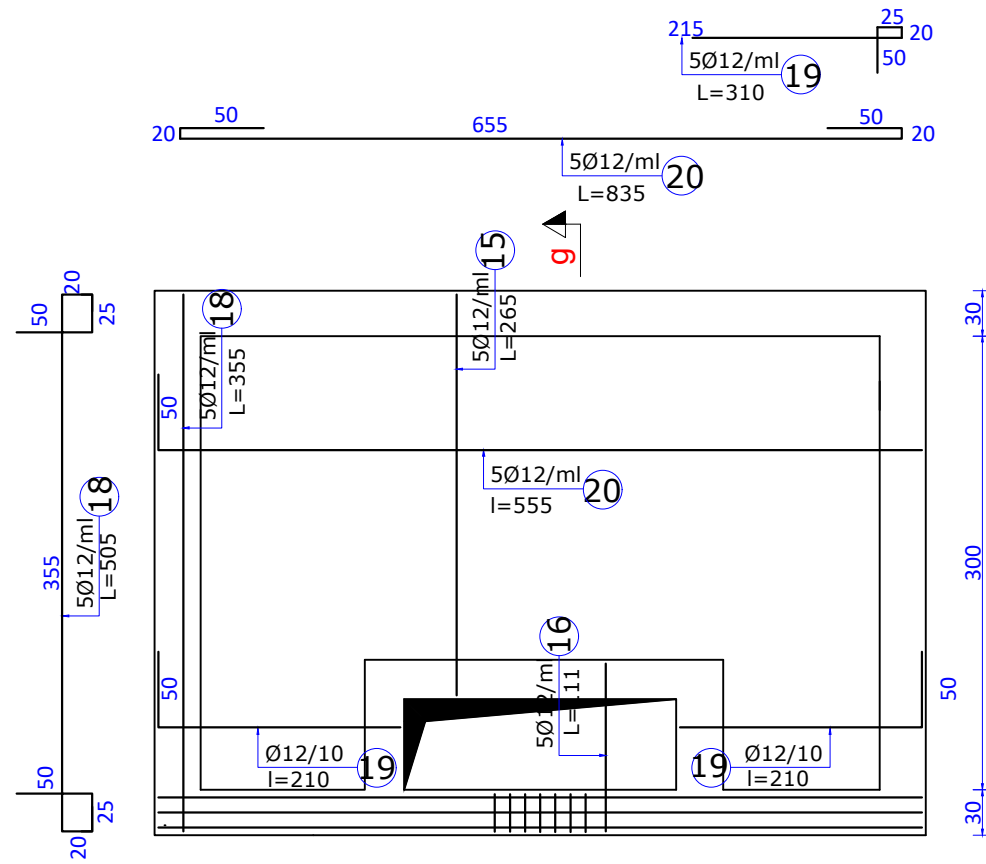


SHENIME TEKNIKE

- 1- BETONI C 25/30
- 2-HEKURI 500S
- 3- NE VENDET E BIRAVE , HEKURAT TE PRITEN NE VEND, MBASI TE JETE NDERTUAR KALLEPI I DRURIT

|            |  |                                     |                             |                    |                      |                     |                    |                     |
|------------|--|-------------------------------------|-----------------------------|--------------------|----------------------|---------------------|--------------------|---------------------|
| POROSITES: | <b>BASHKIA BULQIZE</b>   | <b>"ERALD - G" SH.P.K</b>           | <b>DREJTUES I PROJEKTIT</b> | <b>PROJEKTUES</b>  |                      |                     | <b>SHKALLA</b>     | <b>NR. I FLETES</b> |
| OBJEKTI:   | "NDERTIM SISTEM KANALIZIMESH DHE IMPIANT TRAJTIMI TE UJERAVE TE NDOTURA NE QYTETIN BULQIZE E RE" | RRUGA: KONGRESI I LUSHNJES, TIRANE, | INXH. GEZIM ISLAMI          | INXH. GEZIM ISLAMI | TOP. KUJTIM CANAMETI | INXH. ERINDI GJOKA  | <b>1:100</b>       | <b>5-02</b>         |
|            |  |                                     |                             | HIDR. ANISA ZAKA   | ELEK. HAJDAR KURTI   | GJEO. SHKELZEN QOKA | <b>TIRANE 2022</b> | <b>FORMAT A3</b>    |
|            |  |                                     |                             | INXH. ENDRI PIERO  | MEK. ARBEN MUHA      |                     |                    |                     |

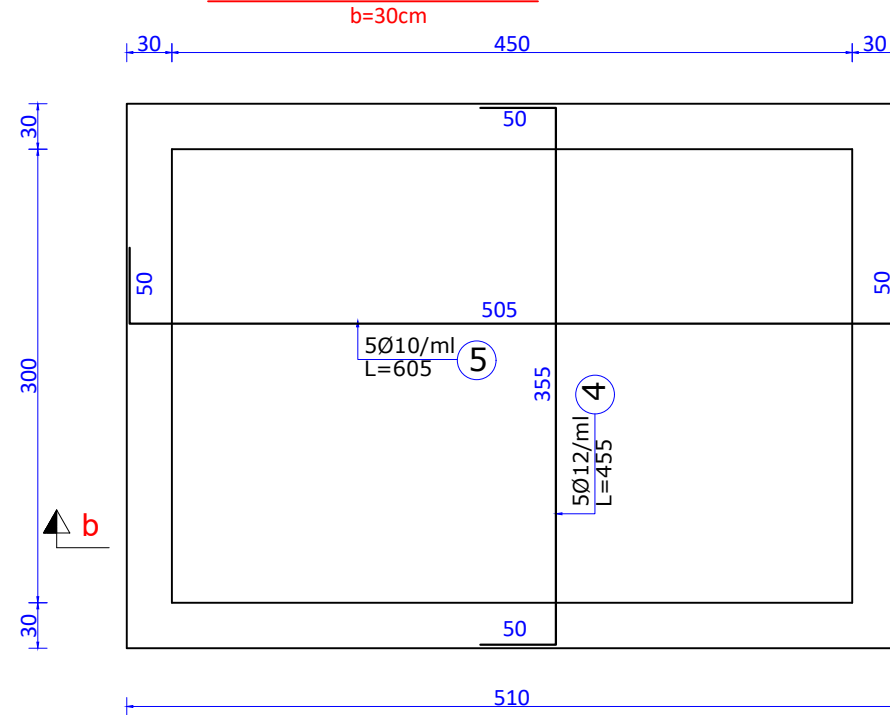
ARMIMI I DYSHEMESE (SHUFRAT E SIPERME)



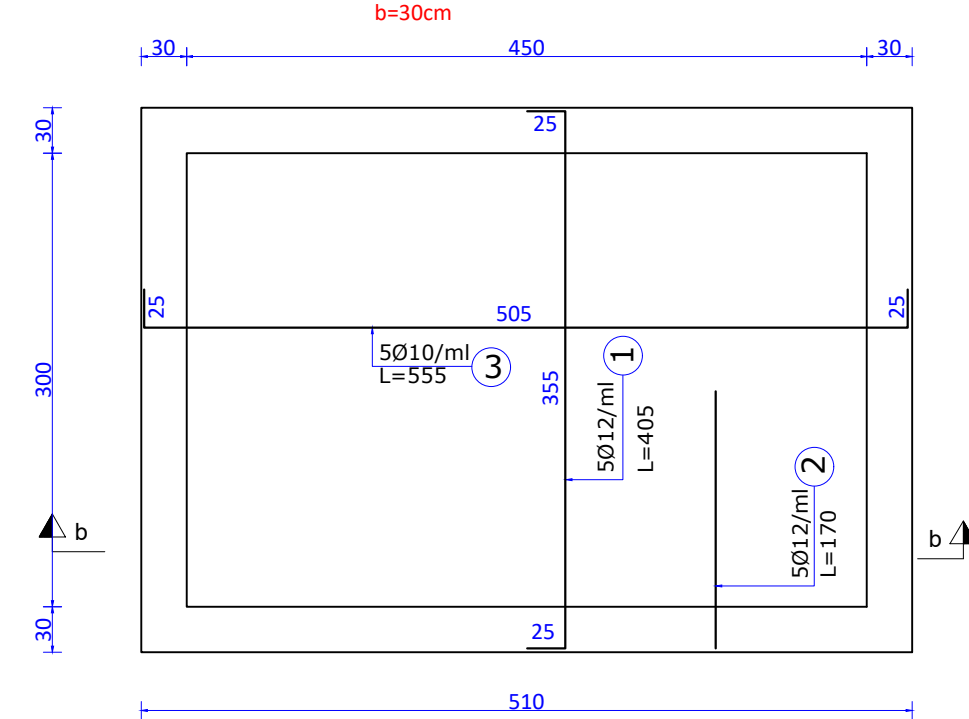
|            |   |   |                             |                           |                             |                            |                |                     |
|------------|---|---|-----------------------------|---------------------------|-----------------------------|----------------------------|----------------|---------------------|
| POROSITES: | <b>BASHKIA BULQIZE</b>  | <b>"ERALD - G" SH.P.K</b>                 | <b>DREJTUES I PROJEKTIT</b> | <b>PROJEKTUES</b>         |                             |                            | <b>SHKALLA</b> | <b>NR. I FLETES</b> |
| OBJEKTI:   | <b>"NDERTIM SISTEM KANALIZIMESH DHE IMPIANT TRAJTIMI TE UJERAVE TE NDOTURA NE QYTETIN BULQIZE E RE"</b> | RRUGA:<br>KONGRESI I LUSHNJES,<br>TIRANE, | INXH. <b>GEZIM ISLAMI</b>   | INXH. <b>GEZIM ISLAMI</b> | TOP. <b>KUJTIM CANAMETI</b> | INXH. <b>ERINDI GJOKA</b>  | <b>1:100</b>   | <b>5-03</b>         |
|            |   |   |                             | HIDR. <b>ANISA ZAKA</b>   | ELEK. <b>HAJDAR KURTI</b>   | GJEO. <b>SHKELZEN QOKA</b> |                |                     |
|            |   |   |                             | INXH. <b>ENDRI PIERO</b>  | MEK. <b>ARBEN MUHA</b>      |                            |                |                     |

**DETAJE TE MUREVE TE DEPOS SE UJIT**

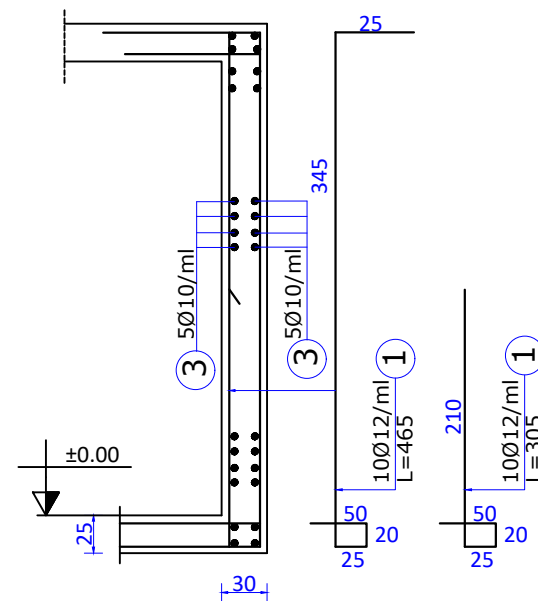
**MURI A-F( nga jashte)**



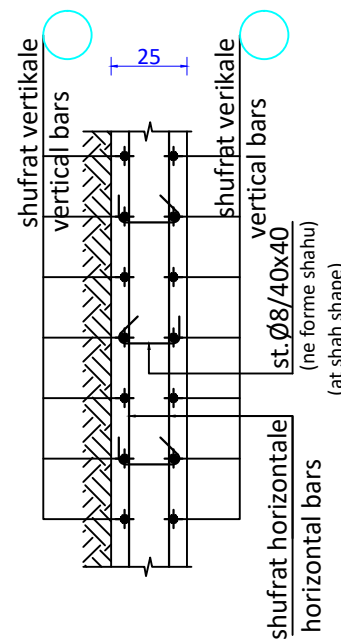
**MURI A-F( nga brenda)**



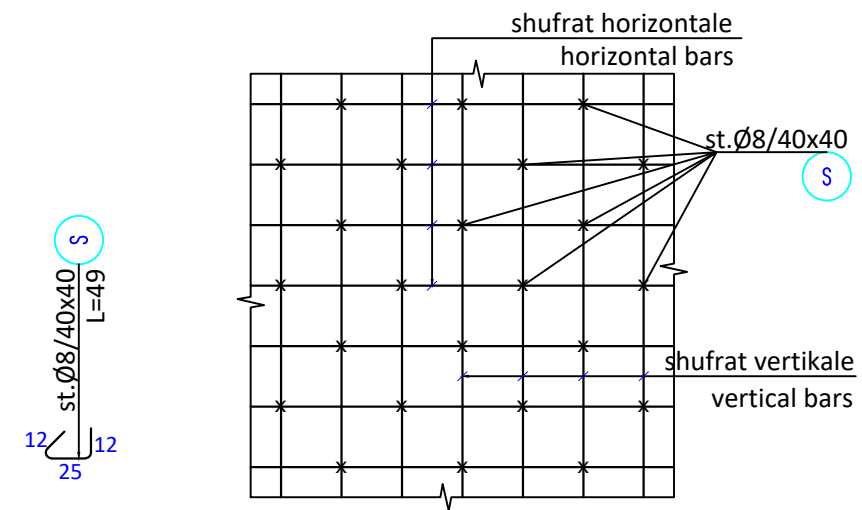
**PRERJA b-b**



**PRERJA a-a**



**DETAJI I VENDOSJES SE STAFAVE "S" NE MURET VERTIKALE**



**SHENIME TEKNIKE**

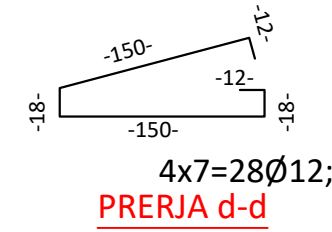
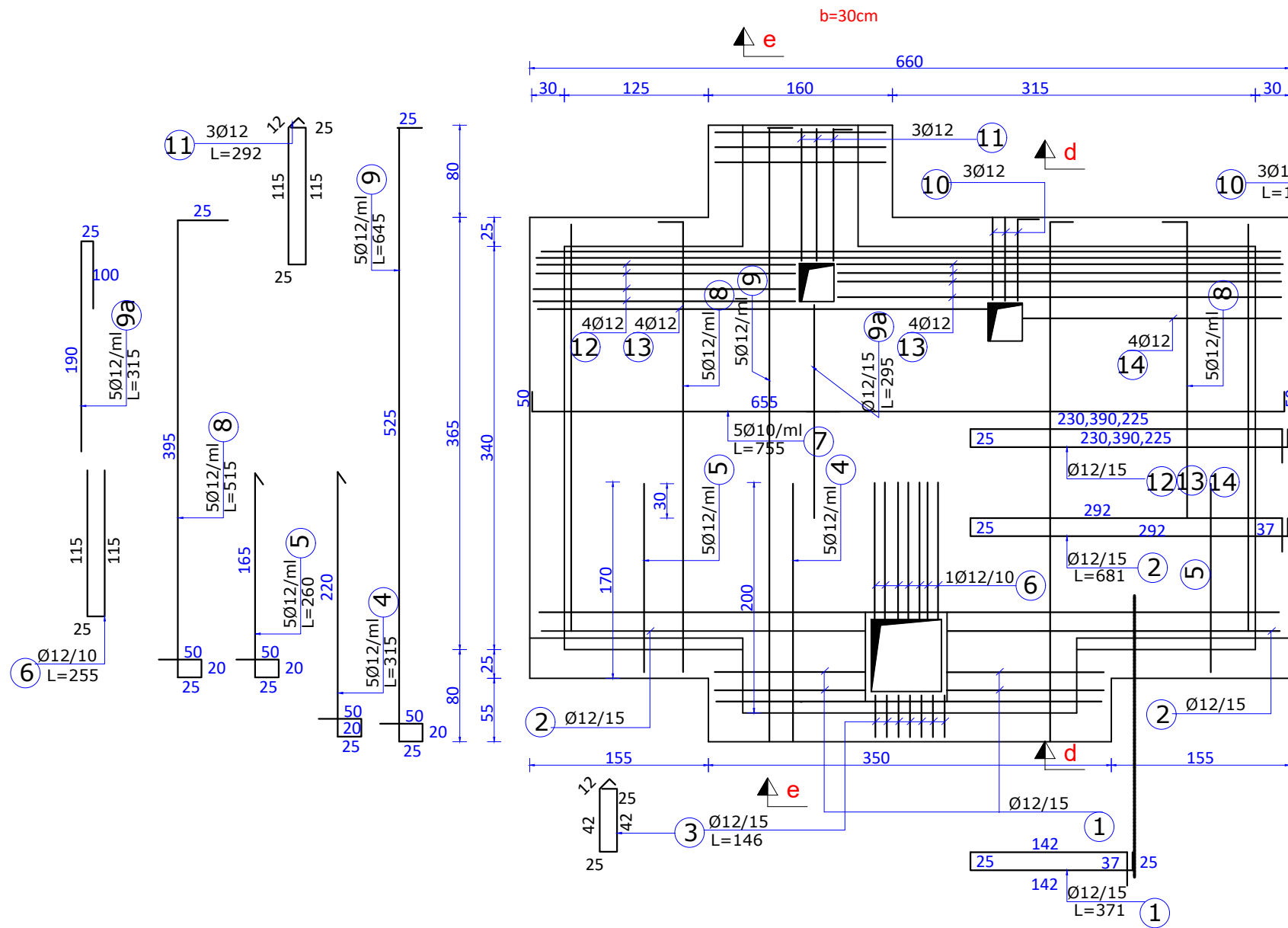
1- BETONI C 25/30

2-HEKURI 500S

3- NE VENDET E BIRAVE , HEKURAT TE PRITEN NE VEND, MBASI TE JETE NDERTUAR KALLEPI I DRURIT

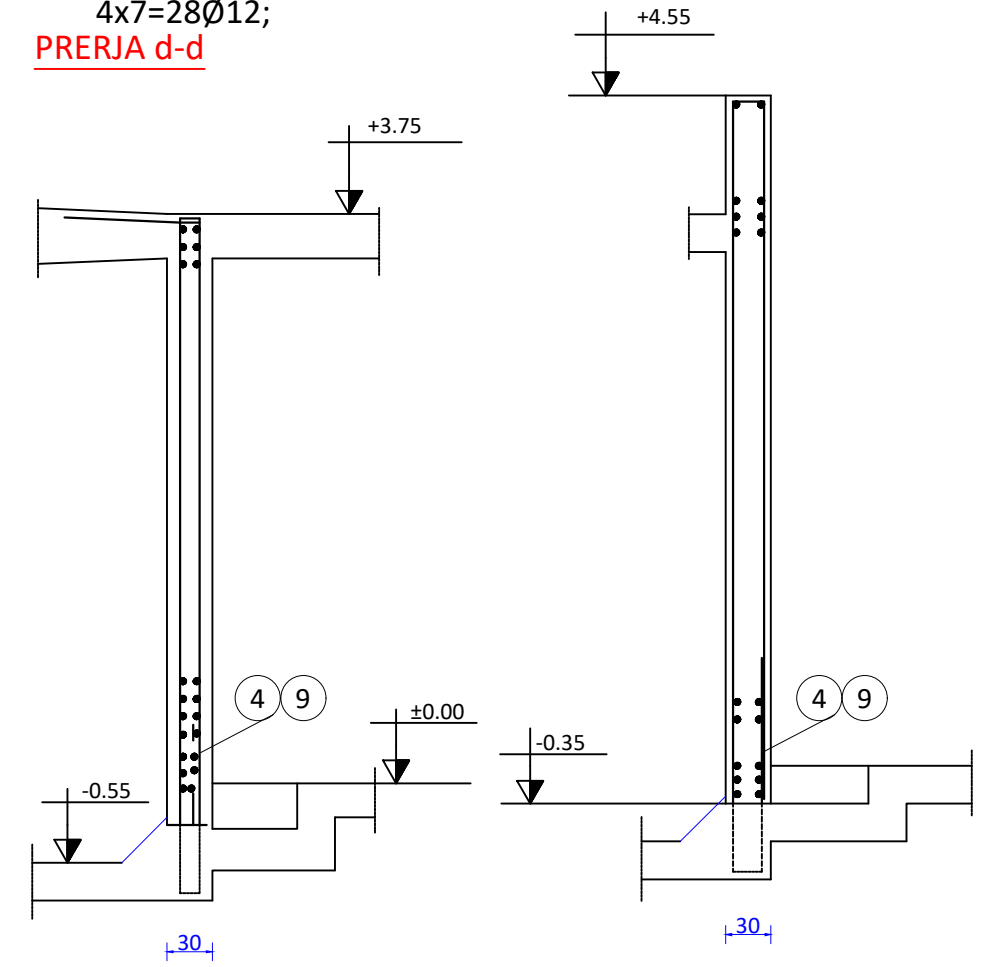
|            |  |                                     |                             |                    |                      |                      |                    |                     |
|------------|--|-------------------------------------|-----------------------------|--------------------|----------------------|----------------------|--------------------|---------------------|
| POROSITES: | <b>BASHKIA BULQIZE</b>   | <b>"ERALD - G" SH.P.K</b>           | <b>DREJTUES I PROJEKTIT</b> | <b>PROJEKTUES</b>  |                      |                      | <b>SHKALLA</b>     | <b>NR. I FLETES</b> |
| OBJEKTI:   | "NDERTIM SISTEM KANALIZIMESH DHE IMPIANT TRAJTIMI TE UJERAVE TE NDOTURA NE QYTETIN BULQIZE E RE" | RRUGA: KONGRESI I LUSHNJES, TIRANE, | INXH. GEZIM ISLAMI          | INXH. GEZIM ISLAMI | TOP. KUJTIM CANAMETI | INXH. ERINDI GJOKA   | <b>1:100</b>       | <b>5-04</b>         |
|            |  |                                     |                             | HIDR. ANISA ZAKA   | ELEK. HAJDAR KURTI   | G.JEO. SHKELZEN QOKA | <b>TIRANE 2022</b> | <b>FORMAT A3</b>    |
|            |  |                                     |                             | INXH. ENDRI PIERO  | MEK. ARBEN MUHA      |                      |                    |                     |

MURI B-C-D-E( nga ana e ujit)



4x7=28Ø12;  
PRERJA d-d

PRERJA e-e



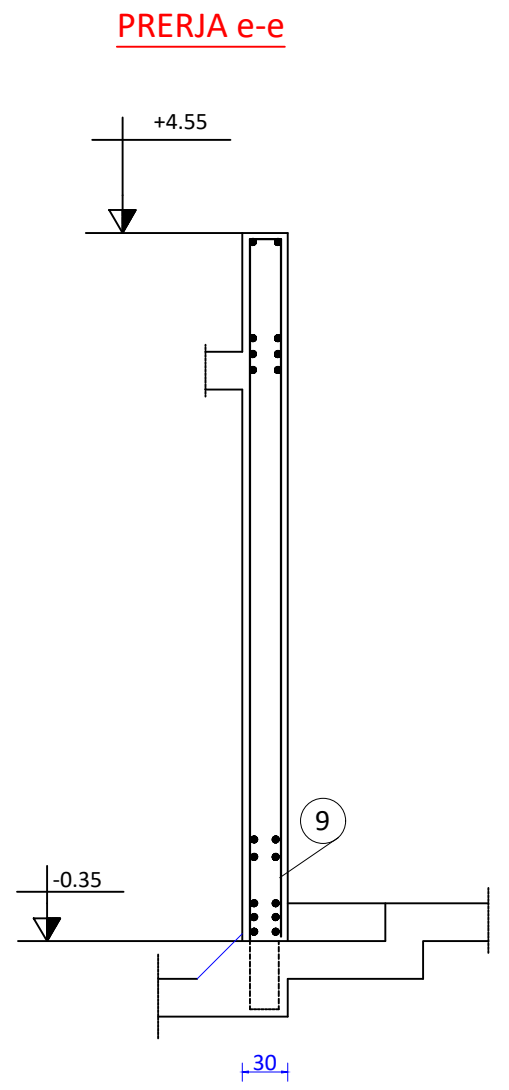
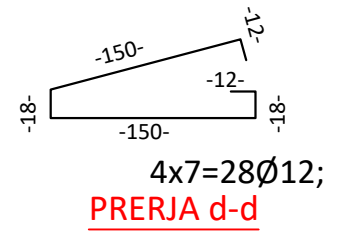
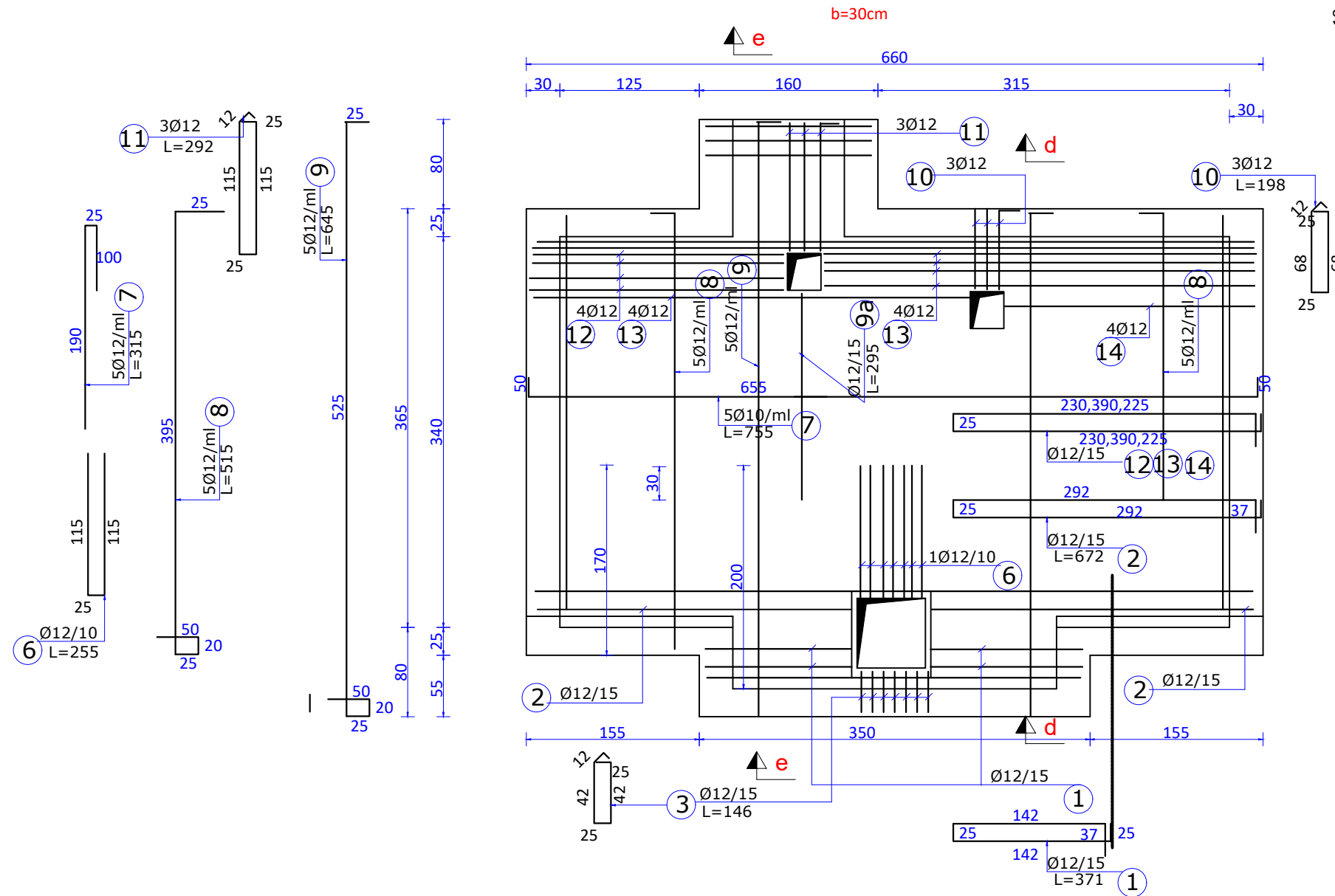
SHENIME TEKNIKE

- 1- BETONI C 25/30
- 2-HEKURI 500S
- 3- NE VENDET E BIRAVE , HEKURAT TE PRITEN NE VEND, MBASI TE JETE NDERTUAR KALLEPI I DRURIT

|            |  |                                     |                      |                    |                      |                      |             |              |
|------------|--|-------------------------------------|----------------------|--------------------|----------------------|----------------------|-------------|--------------|
| POROSITES: | BASHKIA BULQIZE  | "ERALD - G" SH.P.K                  | DREJTUES I PROJEKTIT | PROJEKTUES         |                      |                      | SHKALLA     | NR. I FLETES |
| OBJEKTI:   | "NDERTIM SISTEM KANALIZIMESH DHE IMPIANT TRAJTIMI TE UJERAVE TE NDOTURA NE QYTETIN BULQIZE E RE" | RRUGA: KONGRESI I LUSHNYES, TIRANE, | INXH. GEZIM ISLAMI   | INXH. GEZIM ISLAMI | TOP. KUJTIM CANAMETI | INXH. ERINDI GJOKA   | 1:100       | 5-05         |
|            |  |                                     |                      | HIDR. ANISA ZAKA   | ELEK. HAJDAR KURTI   | G.JEO. SHKELZEN QOKA |             |              |
|            |  |                                     |                      | INXH. ENDRI PIERO  | MEK. ARBEN MUHA      |                      | TIRANE 2022 | FORMAT A3    |



MURI B-C-D-E ( nga jashte ujit)



SHENIME TEKNIKE

1- BETONI C 25/30

2-HEKURI 500S


3- NE VENDET E BIRAVE , HEKURAT TE PRITEN NE VEND, MBASI TE JETE NDERTUAR KALLEPI I DRURIT

|            |  |                                     |                      |                    |                      |                     |             |              |
|------------|--|-------------------------------------|----------------------|--------------------|----------------------|---------------------|-------------|--------------|
| POROSITES: | BASHKIA BULQIZE  | "ERALD - G" SH.P.K                  | DREJTUES I PROJEKTIT | PROJEKTUES         |                      |                     | SHKALLA     | NR. I FLETES |
| OBJEKTI:   | "NDERTIM SISTEM KANALIZIMESH DHE IMPIANT TRAJTIMI TE UJERAVE TE NDOTURA NE QYTETIN BULQIZE E RE" | RRUGA: KONGRESI I LUSHNYES, TIRANE, | INXH. GEZIM ISLAMI   | INXH. GEZIM ISLAMI | TOP. KUJTIM CANAMETI | INXH. ERINDI GJOKA  | 1:100       | 5-06         |
|            |  |                                     |                      | HIDR. ANISA ZAKA   | ELEK. HAJDAR KURTI   | GJEO. SHKELZEN QOKA |             |              |
|            |  |                                     |                      | INXH. ENDRI PIERO  | MEK. ARBEN MUHA      |                     | TIRANE 2022 | FORMAT A3    |

**DETAJE TE MUREVE TE DEPOS SE UJIT**

| ELEMENTI          |      | SPECIFIKIMI I ARMATURES |    |      |      |       | ARM. PER 1 ELEMENT |       |       |        | PESHA  |
|-------------------|------|-------------------------|----|------|------|-------|--------------------|-------|-------|--------|--------|
| LLOJI             | COPE | NR.                     | Ø  | L.cm | COPE | L.ml  | Ø                  | L.ml  | P.spc | PESHA  | TOTALE |
| SOLETA E MBULIMIT | 1    | 1                       | 10 | 200  | 20   | 40.0  |                    |       |       |        | Ø<10   |
|                   |      | 2                       | 10 | 155  | 14   | 21.7  | 12                 | 80.8  | 0.89  | 71.9   | 23kg   |
|                   |      | 3                       | 10 | 390  | 16   | 62.4  | 10                 | 437   | 0.62  | 271.18 | Ø>10   |
|                   |      | 4                       | 8  | 114  | 20   | 22.8  |                    |       |       |        | 343.09 |
|                   |      | 5                       | 10 | 355  | 18   | 63.9  | 8                  | 57    | 0.4   | 22.88  |        |
|                   |      | 6                       | 10 | 365  | 14   | 51.1  |                    |       |       |        |        |
|                   |      | 7                       | 12 | 505  | 16   | 80.8  |                    |       |       |        |        |
|                   |      | 8                       | 10 | 348  | 14   | 48.7  |                    |       |       |        |        |
|                   |      | 9                       | 10 | 218  | 7    | 15.3  |                    |       |       |        |        |
|                   |      | 10                      | 10 | 145  | 66   | 95.7  |                    |       |       |        |        |
|                   |      | 11                      | 10 | 220  | 11   | 24.2  |                    |       |       |        |        |
|                   |      | a                       | 8  | 160  | 9    | 14.4  |                    |       |       |        |        |
|                   |      | b                       | 8  | 210  | 9    | 18.9  |                    |       |       |        |        |
|                   |      | c                       | 10 | 72   | 20   | 14.4  |                    |       |       |        |        |
| d                 | 8    | 100                     | 20 | 20.0 |      |       |                    |       |       |        |        |
|                   |      |                         |    |      |      |       |                    |       | Shuma | 686.2  | 343kg  |
| MURI A-F          | 1    | 1                       | 12 | 295  | 30   | 88.5  |                    |       |       |        | Ø<10   |
|                   |      | 2                       | 12 | 305  | 30   | 91.5  | 12                 | 464.4 | 0.89  | 413.3  | kg     |
|                   |      | 3                       | 10 | 705  | 18   | 126.9 | 10                 | 127   | 0.62  | 78.68  | Ø>10   |
|                   |      | 4                       | 12 | 495  | 30   | 148.5 |                    |       |       |        | 491.99 |
|                   |      | 5                       | 12 | 755  | 18   | 135.9 | 8                  | 0     | 0.4   | 0.00   |        |
|                   |      |                         |    |      |      |       |                    |       |       |        | Shuma  |
| MURI A-B, E-F     | 1+1  | 1                       | 12 | 515  | 20   | 103.0 |                    |       |       |        | Ø<10   |
|                   |      | 2                       | 12 | 305  | 20   | 61.0  | 12                 | 263.0 | 0.89  | 234.1  | kg     |
|                   |      | 3                       | 10 | 505  | 18   | 90.9  | 10                 | 91    | 0.62  | 56.36  | Ø>10   |
|                   |      | 4                       | 12 | 495  | 20   | 99.0  |                    |       |       |        | 290.43 |
|                   |      |                         |    |      |      |       | 8                  | 0     | 0.4   | 0.00   |        |
|                   |      |                         |    |      |      |       |                    |       | Shuma |        | 580kg  |
| MURI C-G, D-H     | 2    | 1                       | 10 | 400  | 16   | 64.0  |                    |       |       |        | Ø<10   |
|                   |      | 2                       | 12 | 505  | 10   | 50.5  | 12                 | 218.3 | 0.89  | 194.3  | kg     |
|                   |      | 3                       | 12 | 550  | 16   | 88.0  | 10                 | 81    | 0.62  | 49.91  | Ø>10   |
|                   |      | 4                       | 12 | 500  | 3    | 15.0  |                    |       |       |        | 244.20 |
|                   |      | 5                       | 12 | 180  | 10   | 18.0  | 8                  | 0     | 0.4   | 0.00   |        |
|                   |      | 6                       | 12 | 195  | 24   | 46.8  |                    |       |       |        |        |
|                   |      | 7                       | 10 | 275  | 6    | 16.5  |                    |       |       |        |        |
|                   |      |                         |    |      |      |       |                    |       | Shuma | 488.4  | 488kg  |
| MURI G-H          | 1    | 1                       | 12 | 140  | 12   | 16.8  |                    |       |       |        | Ø<10   |
|                   |      | 2                       | 12 | 382  | 6    | 22.9  | 12                 | 172.4 | 0.89  | 153.5  | kg     |
|                   |      | 3                       | 12 | 198  | 6    | 11.9  | 10                 | 10    | 0.62  | 6.08   | Ø>10   |
|                   |      | 4                       | 10 | 140  | 7    | 9.8   |                    |       |       |        | 159.55 |
|                   |      | 5                       | 12 | 122  | 26   | 31.7  | 8                  | 0     | 0.4   | 0.00   |        |
|                   |      | 6                       | 12 | 252  | 8    | 20.2  |                    |       |       |        |        |
|                   |      | 7                       | 12 | 312  | 8    | 25.0  |                    |       |       |        |        |

| ELEMENTI          |      | SPECIFIKIMI I ARMATURES |     |       |      |       | ARM. PER 1 ELEMENT |        |       |        | PESHA  |
|-------------------|------|-------------------------|-----|-------|------|-------|--------------------|--------|-------|--------|--------|
| LLOJI             | COPE | NR.                     | Ø   | L.cm  | COPE | L.ml  | Ø                  | L.ml   | P.spc | PESHA  | TOTALE |
| MURI B-C, D-E     | 1    | 1                       | 12  | 371   | 20   | 74.2  |                    |        |       |        | Ø<10   |
|                   |      | 2                       | 12  | 672   | 8    | 53.8  | 12                 | 450.4  | 0.89  | 400.8  | kg     |
|                   |      | 3                       | 12  | 146   | 14   | 20.4  | 10                 | 181    | 0.62  | 112.34 | Ø>10   |
|                   |      | 4                       | 12  | 315   | 7    | 22.1  |                    |        |       |        | 513.16 |
|                   |      | 5                       | 12  | 260   | 16   | 41.6  | 8                  | 0      | 0.4   | 0.00   |        |
|                   |      | 6                       | 12  | 255   | 7    | 17.9  |                    |        |       |        |        |
|                   |      | 7                       | 10  | 755   | 24   | 181.2 |                    |        |       |        |        |
|                   |      | 8                       | 12  | 515   | 9    | 46.4  |                    |        |       |        |        |
|                   |      | 9                       | 12  | 645   | 10   | 64.5  |                    |        |       |        |        |
|                   |      | 9a                      | 12  | 315   | 4    | 12.6  |                    |        |       |        |        |
|                   |      | 10                      | 12  | 198   | 6    | 11.9  |                    |        |       |        |        |
|                   |      | 11                      | 12  | 292   | 6    | 17.5  |                    |        |       |        |        |
|                   |      | 12                      | 12  | 230   | 8    | 18.4  |                    |        |       |        |        |
|                   |      | 13                      | 12  | 390   | 8    | 31.2  |                    |        |       |        |        |
| 14                | 12   | 225                     | 8   | 18.0  |      |       |                    |        | Shuma | 513kg  |        |
| DYSHEMEJA E DEPOS | 1    | 1                       | 12  | 830   | 16   | 132.8 |                    |        |       |        | Ø<10   |
|                   |      | 2                       | 12  | 415   | 8    | 33.2  | 12                 | 1054.3 | 0.89  | 938.3  | 143kg  |
|                   |      | 3                       | 12  | 520   | 13   | 67.6  | 10                 | 0      | 0.62  | 0.00   | Ø>10   |
|                   |      | 4                       | 12  | 530   | 30   | 159.0 |                    |        |       |        | 938.28 |
|                   |      | 5                       | 12  | 385   | 12   | 46.2  | 8                  | 358    | 0.4   | 143.08 |        |
|                   |      | 5a                      | 12  | 230   | 18   | 41.4  |                    |        |       |        |        |
|                   |      | 6                       | 12  | 110   | 12   | 13.2  |                    |        |       |        |        |
|                   |      | 7                       | 12  | 375   | 3    | 11.3  |                    |        |       |        |        |
|                   |      | 8                       | 12  | 420   | 14   | 58.8  |                    |        |       |        |        |
|                   |      | 9                       | 12  | 480   | 10   | 48.0  |                    |        |       |        |        |
|                   |      | 10                      | 12  | 365   | 3    | 11.0  |                    |        |       |        |        |
|                   |      | 11                      | 12  | 495   | 15   | 74.3  |                    |        |       |        |        |
|                   |      | 12                      | 12  | 220   | 3    | 6.6   |                    |        |       |        |        |
|                   |      | 13                      | 12  | 405   | 18   | 72.9  |                    |        |       |        |        |
|                   |      | 14                      | 12  | 460   | 15   | 69.0  |                    |        |       |        |        |
|                   |      | 15                      | 12  | 415   | 12   | 49.8  |                    |        |       |        |        |
|                   |      | 16                      | 12  | 410   | 9    | 36.9  |                    |        |       |        |        |
|                   |      | 17                      | 12  | 525   | 8    | 42.0  |                    |        |       |        |        |
|                   |      | 18                      | 12  | 585   | 18   | 105.3 |                    |        |       |        |        |
| 19                | 12   | 330                     | 5   | 16.5  |      |       |                    |        |       |        |        |
| f                 | 8    | 49                      | 730 | 357.7 |      |       |                    |        | Shuma | 938kg  |        |

|            |   |  |                             |                    |                      |                     |                    |                     |
|------------|---|--|-----------------------------|--------------------|----------------------|---------------------|--------------------|---------------------|
| POROSITES: | <b>BASHKIA BULQIZE</b>  | <b>"ERALD - G" SH.P.K</b><br> RRUGA:<br>KONGRESI I LUSHNYES,<br>TIRANE. | <b>DREJTUES I PROJEKTIT</b> | <b>PROJEKTUES</b>  |                      |                     | <b>SHKALLA</b>     | <b>NR. I FLETES</b> |
| OBJEKTI:   | "NDERTIM SISTEM KANALIZIMESH DHE IMPIANT TRAJTIMI<br>TE UJERAVE TE NDOTURA NE QYTETIN BULQIZE E RE" |  | INXH. GEZIM ISLAMI          | INXH. GEZIM ISLAMI | TOP. KUJTIM CANAMETI | INXH. ERINDI GJOKA  | <b>1:100</b>       | <b>5-07</b>         |
|            |   |  |                             | HIDR. ANISA ZAKA   | ELEK. HAJDAR KURTI   | GJEO. SHKELZEN QOKA | <b>TIRANE 2022</b> | <b>FORMAT A3</b>    |
|            |   |  |                             | INXH. ENDRI PIERO  | MEK. ARBEN MUHA      |                     |                    |                     |

**NJËSIA**

# **E REAKTORIT BIOLOGJIK SBR**

**OBJEKTI**

**NDËRTIM SISTEM KANALIZIMESH DHE IMPIANT TRAJTIMI  
TË UJËRAVE TË NDOTURA NË QYTETIN BULQIZË E RE**

**AUTORITETI  
KONTRAKTOR**

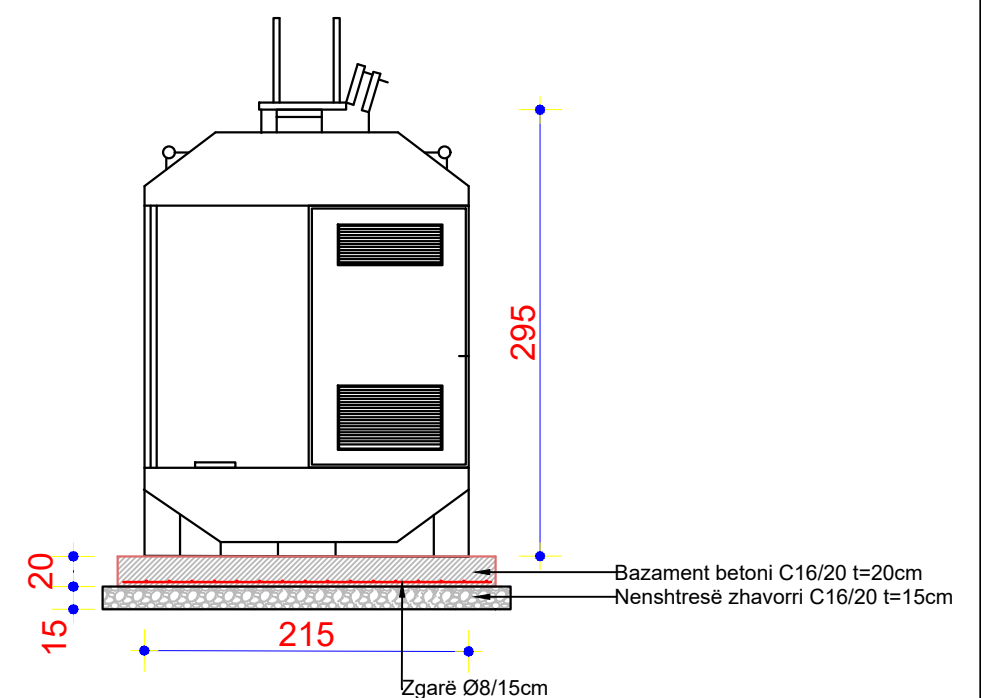
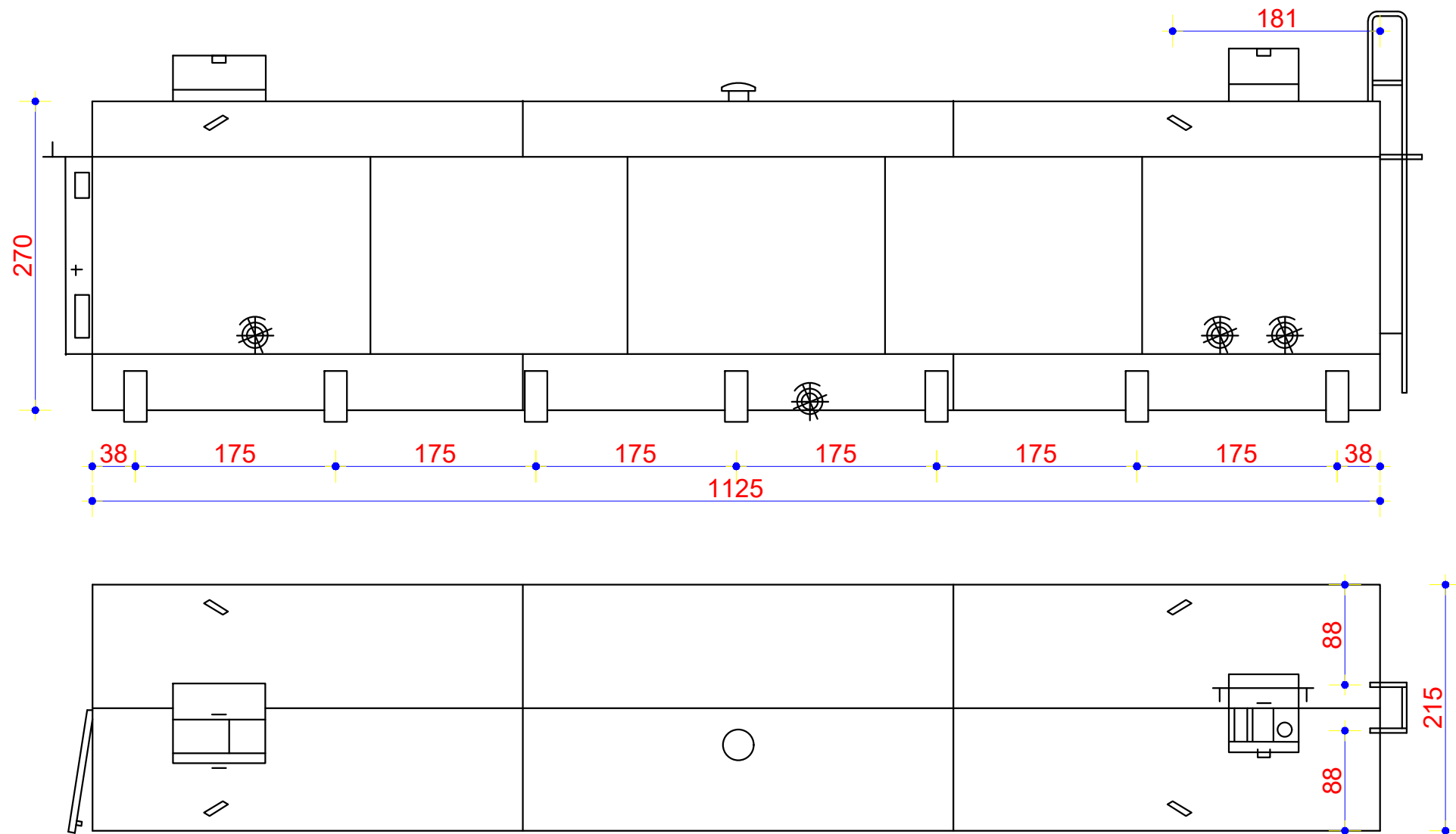
**BASHKIA BULQIZË**

**KONSULENTI**

**“ERALD-G” Shpk**

**VITI 2022**

## DETAJ INSTALIMIT NJESIA E REAKTORIT BIOLOGJIK SBR



**Shenime Teknike:**

1. Ne kete flete vizatimi eshte paraqitur njesia SBR, dimensionet e jashtme
2. Materiali i konstruksionit të njesisë SBR çelik st.37 me spesor 3mm
3. Njesia SBR do te jete e pajisur me:
  - Blowers (fryres ajri tip centrifugë) me prurje 340m3/orë - ≈ 375 mbar
  - Difuzor ajri tip disqesh me membrane gome
  - Pompe zhytесе per largimin e ujit te trajtuar me kapacitet Q=45m3/orë - H=4m
  - Pompe dozimi te hipokloritit me Q=3l/orë - H=8bar
  - Panel kontrolli
4. Dimensionet e jashtme te njesise SBR jane referuese. Ato nuk sherbejne si udhezues per perzgjedhjen e njesise se jashtme
5. Njesite jane ne cm

|            |  |                                     |                             |                    |                      |                     |                    |                     |
|------------|--|-------------------------------------|-----------------------------|--------------------|----------------------|---------------------|--------------------|---------------------|
| POROSITES: | <b>BASHKIA BULQIZE</b>   | <b>"ERALD - G" SH.P.K</b>           | <b>DREJTUES I PROJEKTIT</b> | <b>PROJEKTUES</b>  |                      |                     | <b>SHKALLA</b>     | <b>NR. I FLETES</b> |
| OBJEKTI:   | "NDERTIM SISTEM KANALIZIMESH DHE IMPIANT TRAJTIMI TE UJERAVE TE NDOTURA NE QYTETIN BULQIZE E RE" | RRUGA. KONGRESI I LUSHNJES, TIRANE. | INXH. GEZIM ISLAMI          | INXH. GEZIM ISLAMI | TOP. KUJTIM CANAMETI | INXH. ERINDI GJOKA  | <b>1:100</b>       | <b>6-01</b>         |
|            |  |                                     |                             | HIDR. ANISA ZAKA   | ELEK. HAJDAR KURTI   | GJEO. SHKELZEN QOKA |                    |                     |
|            |  |                                     |                             | INXH. ENDRI PIERO  | MEK. ARBEN MUHA      |                     | <b>TIRANE 2022</b> | <b>FORMAT A3</b>    |

**GODINA**

**E PANELEVE**

**OBJEKTI**

**NDËRTIM SISTEM KANALIZIMESH DHE IMPIANT TRAJTIMI  
TË UJËRAVE TË NDOTURA NË QYTETIN BULQIZË E RE**

**AUTORITETI  
KONTRAKTOR**

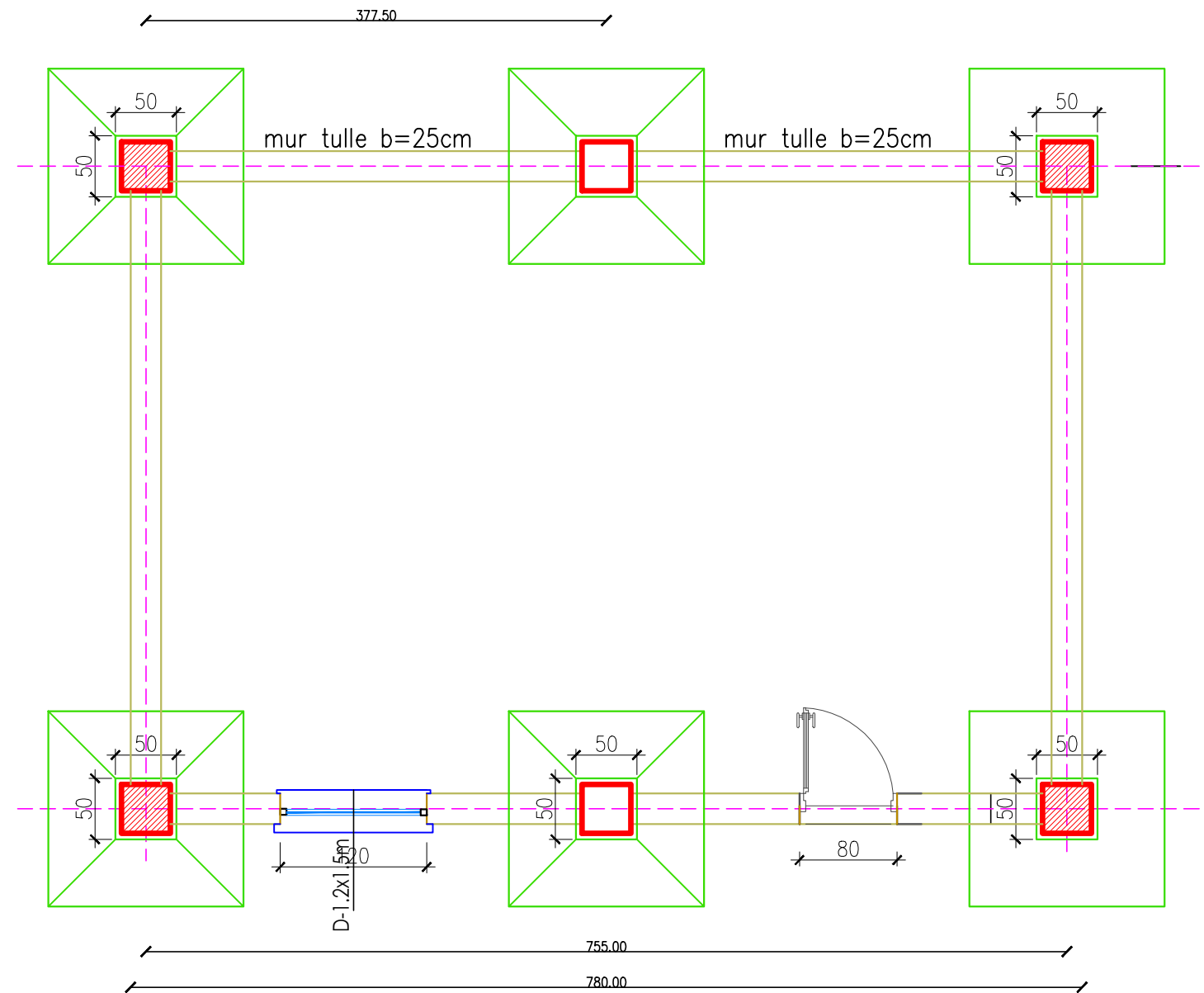
**BASHKIA BULQIZË**

**KONSULENTI**

**“ERALD-G” Shpk**

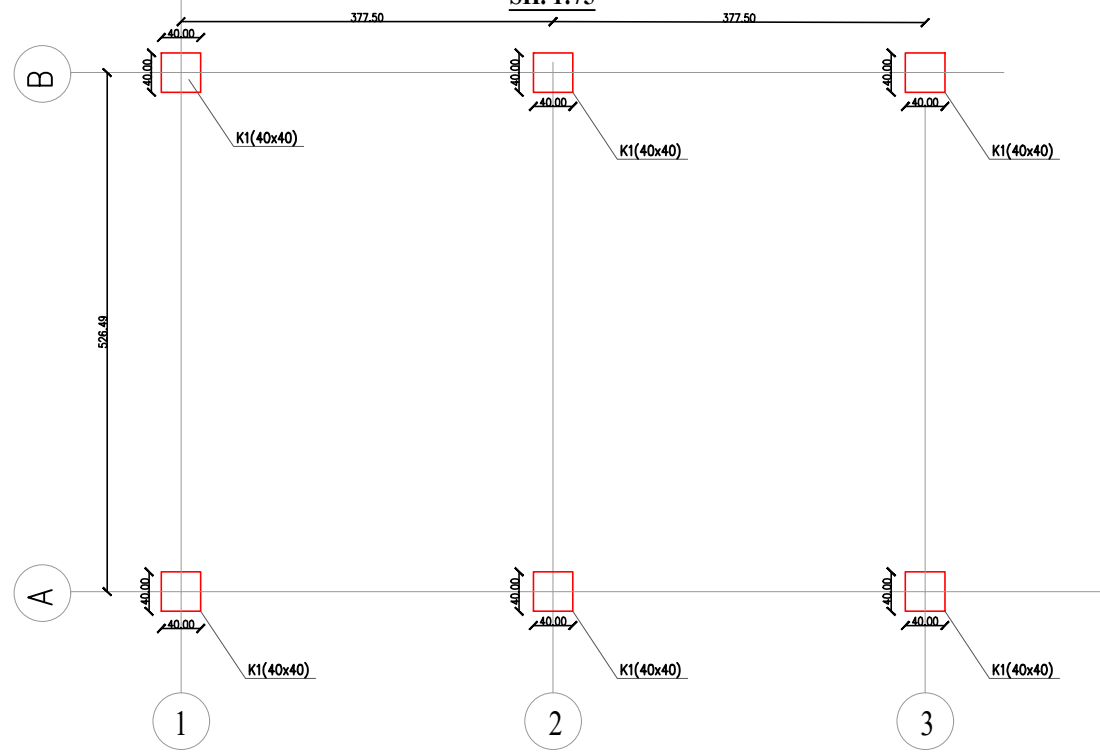
**VITI 2022**

PLANIMETRIA KAPERDERDHESIT  
POZICIONIMI I PLINTAVE TE OBJEKTIT

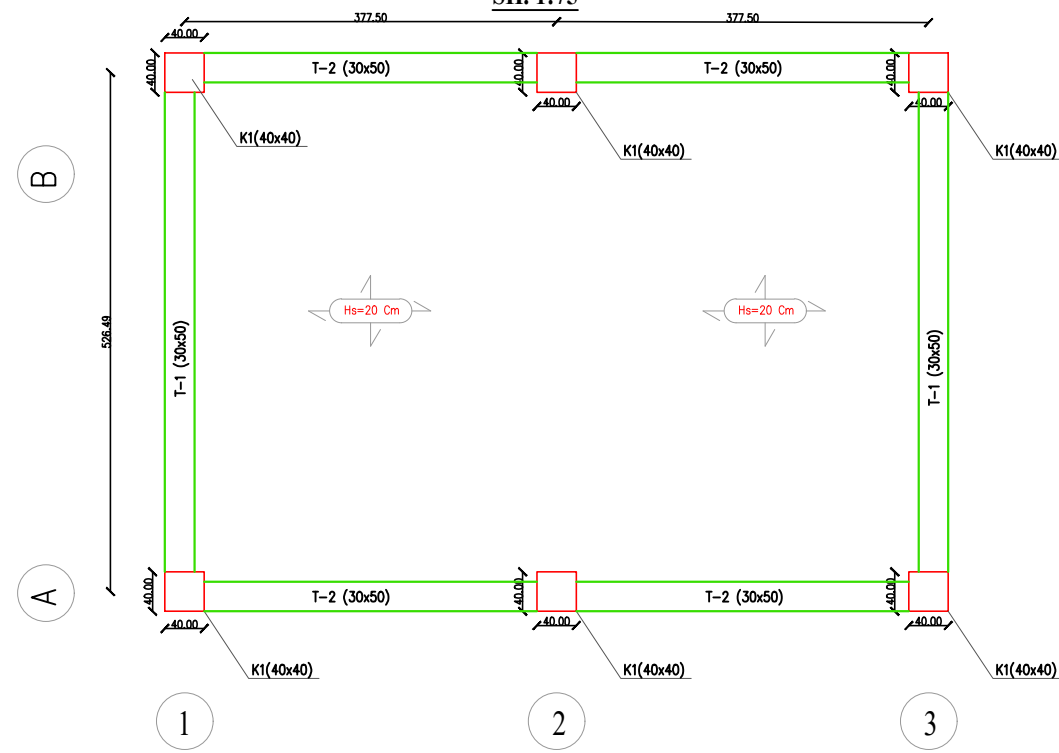


|            |  |                                     |                             |                    |                      |                     |                    |                     |
|------------|--|-------------------------------------|-----------------------------|--------------------|----------------------|---------------------|--------------------|---------------------|
| POROSITES: | <b>BASHKIA BULQIZE</b>   | <b>"ERALD - G" SH.P.K</b>           | <b>DREJTUES I PROJEKTIT</b> | <b>PROJEKTUES</b>  |                      |                     | <b>SHKALLA</b>     | <b>NR. I FLETES</b> |
| OBJEKTI:   | "NDERTIM SISTEM KANALIZIMESH DHE IMPIANT TRAJTIMI TE UJERAVE TE NDOTURA NE QYTETIN BULQIZE E RE" | RRUGA, KONGRESI I LUSHNYES, TIRANE, | INXH. GEZIM ISLAMI          | INXH. GEZIM ISLAMI | TOP. KUJTIM CANAMETI | INXH. ERINDI GJOKA  | <b>1:50</b>        | <b>7-01</b>         |
|            |  |                                     |                             | HIDR. ANISA ZAKA   | ELEK. HAJDAR KURTI   | GJEO. SHKELZEN GOKA |                    |                     |
|            |  |                                     |                             | INXH. ENDRI PIERO  | MEK. ARBEN MUHA      |                     | <b>TIRANE 2022</b> | <b>FORMAT A3</b>    |

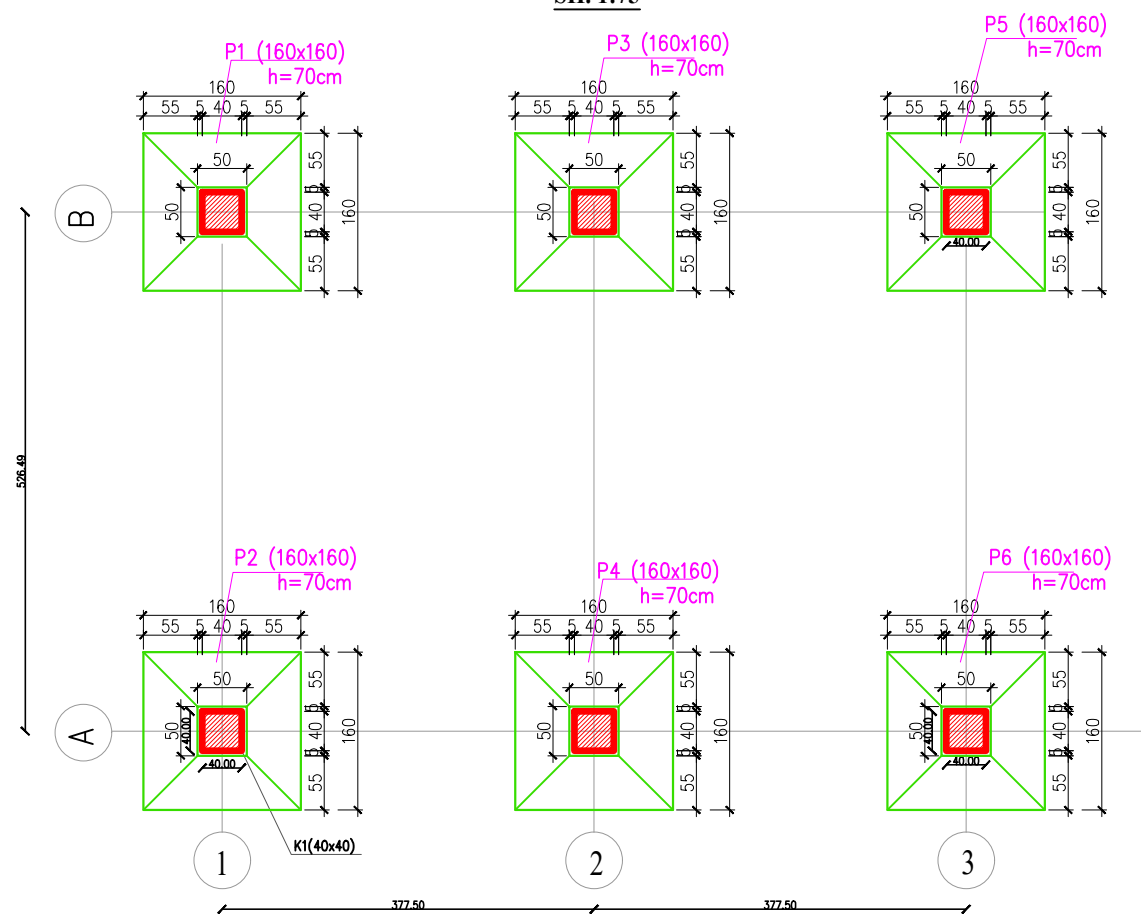
**PLANI I KOLLONAVE**  
SH. 1:75



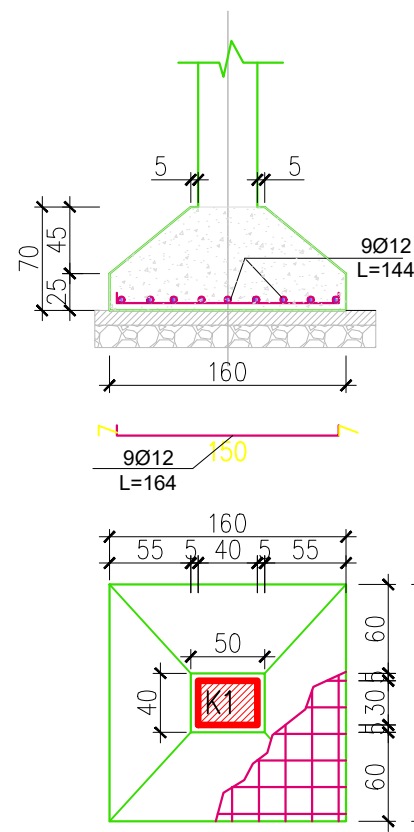
**PLANI I STRUKTURES**  
SH. 1:75



**PLANI I PLINTAVE**  
SH. 1:75



**ARMIMI I PLINTIT SH. 1:30**



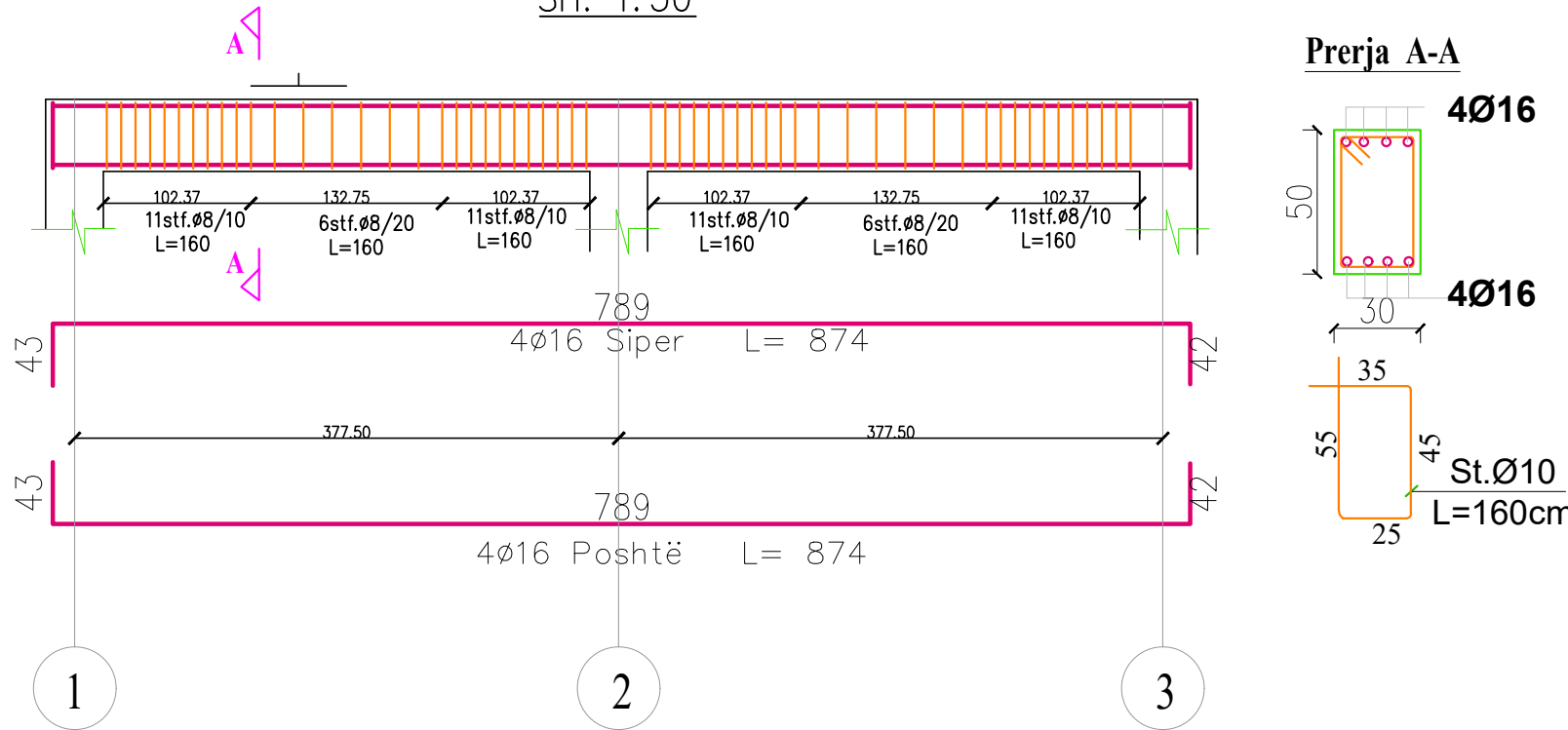
| BETON C <sub>25</sub> <sub>30</sub> | Plinti              |      |                         |      |                         |
|-------------------------------------|---------------------|------|-------------------------|------|-------------------------|
| PERMASAT(m)                         | St(m <sup>2</sup> ) | L(m) | V(m <sup>3</sup> )/cope | Cope | Vtotal(m <sup>3</sup> ) |
| VLERA                               | 0.873               | 1.60 | 1.40                    | 6    | 8.38                    |

| HEKUR S-500   | Plinti P3 |      |            |
|---------------|-----------|------|------------|
| DIAMETRI (mm) | Ø12/Plint | Cope | Total (kg) |
| GJATESIA (mL) | 29.52     |      |            |
| PESHA(kg)     | 26.21     | 6    | 157.3      |

P3 (160x160) , h=70cm  
9Ø12 me te dy drejtimet.

|   |  |   |  |   |   |   |  |
|---|--|---|--|---|---|---|--|
| POROSITES: <b>BASHKIA BULQIZE</b><br>OBJEKTI: <b>"NDERTIM SISTEM KANALIZIMESH DHE IMPIANT TRAJTIMI TE UJERAVE TE NDOTURA NE QYTETIN BULQIZE E RE"</b> | <b>"ERALD - G" SH.P.K</b><br>RRUGA, KONGRESI I LUSHNYES, TIRANE. | <b>DREJTUES I PROJEKTIT</b><br>INXH. GEZIM ISLAMI | <b>PROJEKTUES</b><br>INXH. GEZIM ISLAMI<br>HIDR. ANISA ZAKA<br>INXH. ENDRI PIERO | TOP. KUJTIM CANAMETI<br>ELEK. HAJDAR KURTI<br>MEK. ARBEN MUHA | INXH. ERINDI GJOKA<br>GJEO. SHKELZEN GOKA | <b>SHKALLA</b><br><b>1:30/1:75</b><br>TIRANE 2022 | <b>NR. I FLETES</b><br>7-02<br>FORMAT A3 |
|---|--|---|--|---|---|---|--|

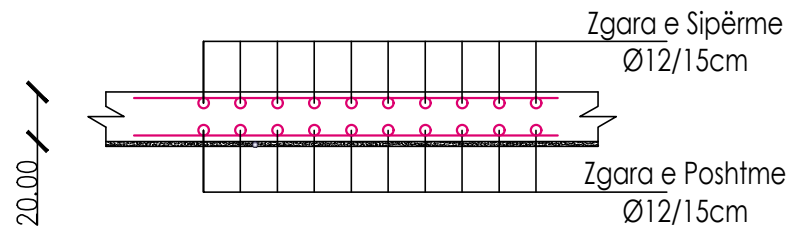
ARMIMI I TRAUT A-A KUOTA +3.2  
SH. 1:50



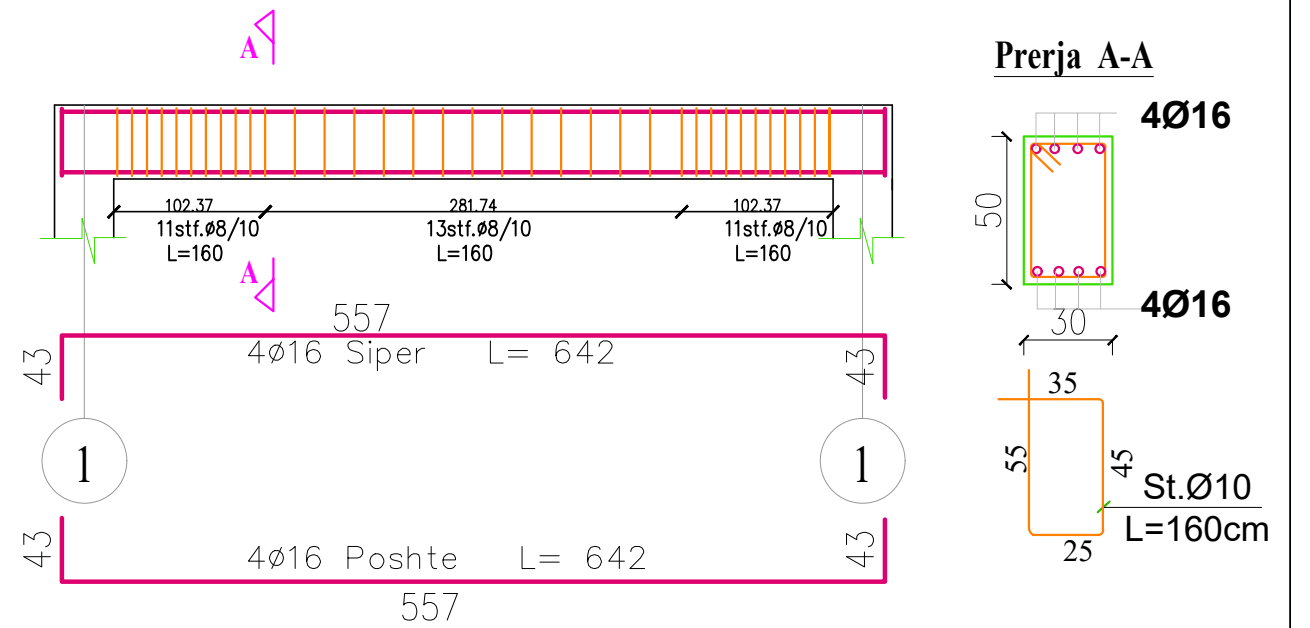
| BETON C25/30 |                     | TRAU A-A |                    |  |
|--------------|---------------------|----------|--------------------|--|
| PERMASAT(m)  | St(m <sup>2</sup> ) | L(m)     | V(m <sup>3</sup> ) |  |
| VLERA        | 0.15                | 6.7500   | 1.01               |  |

| HEKUR S-500   |         | TRAU A-A |            |  |
|---------------|---------|----------|------------|--|
| DIAMETRI (mm) | Ø8      | Ø16      | Total (kg) |  |
| GJATESIA (mL) | 89.6000 | 70       |            |  |
| PESHA(kg)     | 35.39   | 110      | 145.9      |  |

Detaj Armim Soletes



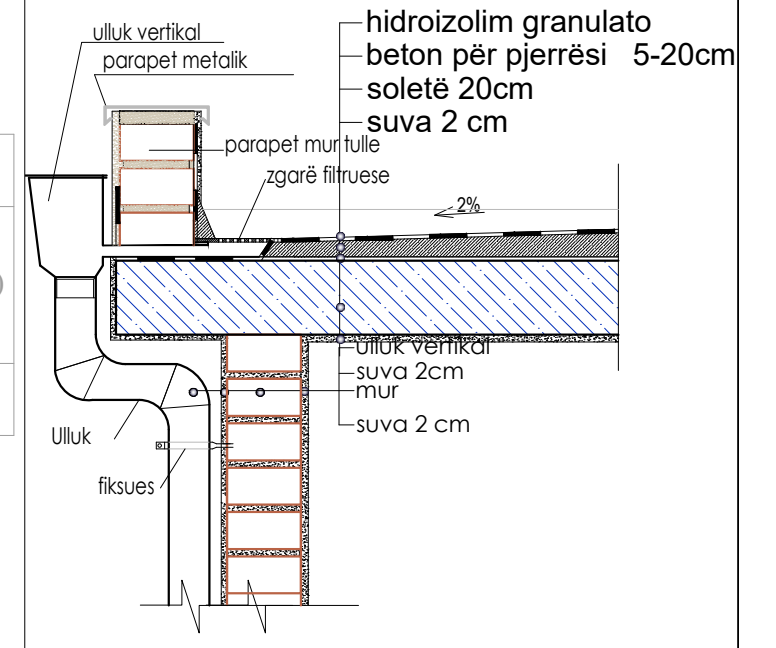
ARMIMI I TRAUT 1-1 KUOTA +3.2  
SH. 1:50



| BETON C25/30 |                     | TRAU 1-1 |                    |  |
|--------------|---------------------|----------|--------------------|--|
| PERMASAT(m)  | St(m <sup>2</sup> ) | L(m)     | V(m <sup>3</sup> ) |  |
| VLERA        | 0.15                | 4.8600   | 0.73               |  |

| HEKUR S-500   |         | TRAU 1-1 |            |  |
|---------------|---------|----------|------------|--|
| DIAMETRI (mm) | Ø8      | Ø16      | Total (kg) |  |
| GJATESIA (mL) | 56.0000 | 51.3600  |            |  |
| PESHA(kg)     | 22.12   | 81       | 103.2      |  |

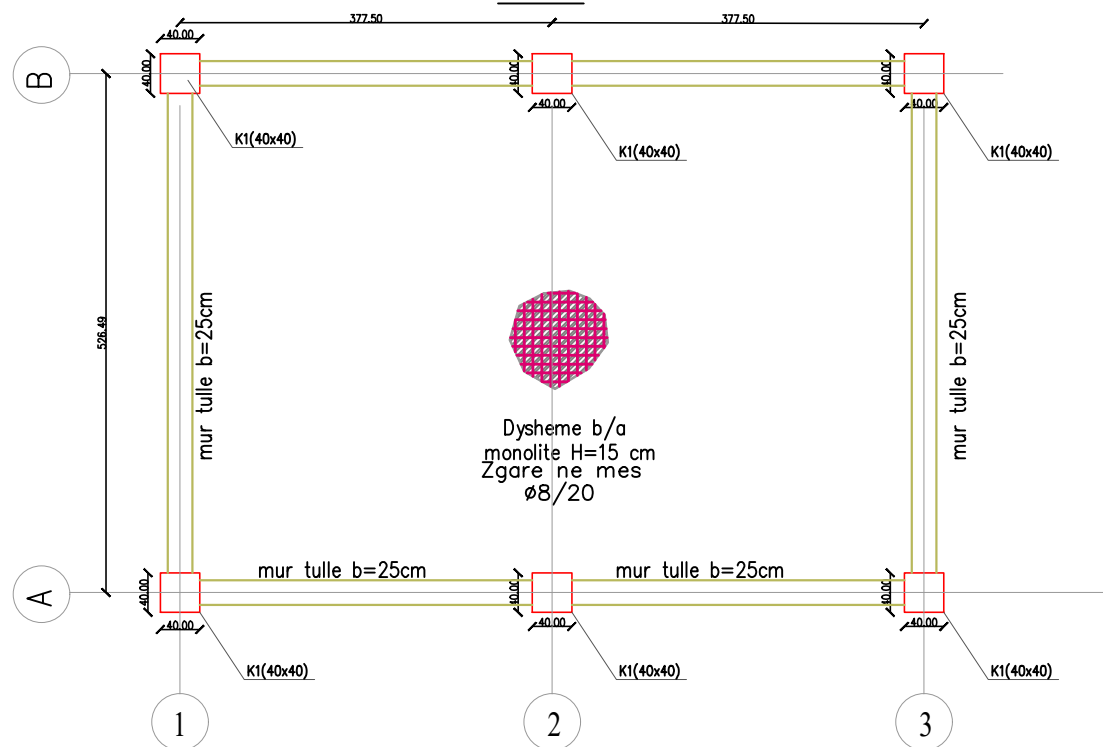
DETAJ I TARRACES  
SH.K.1:20



|            |  |                                     |                      |   |             |              |
|------------|--|-------------------------------------|----------------------|---|-------------|--------------|
| POROSITES: | BASHKIA BULQIZE  | "ERALD - G" SH.P.K                  | DREJTUES I PROJEKTIT | PROJEKTUES  | SHKALLA     | NR. I FLETES |
| OBJEKTI:   | "NDERTIM SISTEM KANALIZIMESH DHE IMPIANT TRAJTIMI TE UJERAVE TE NDOTURA NE QYTETIN BULQIZE E RE" | RRUGA, KONGRESI I LUSHNYES, TIRANE, | INXH. GEZIM ISLAMI   | TOP. KUJTIM CANAMETI<br>ELEK. HAJDAR KURTI<br>MEK. ARBEN MUHA | 1:50        | 7-03         |
|            |  |                                     | INXH. GEZIM ISLAMI   | INXH. ERINDI GJOKA<br>GJEO. SHKELZEN GOKA                     | TIRANE 2022 | FORMAT A3    |



**PLANI I DYSHEMESE**  
SH. 1:75

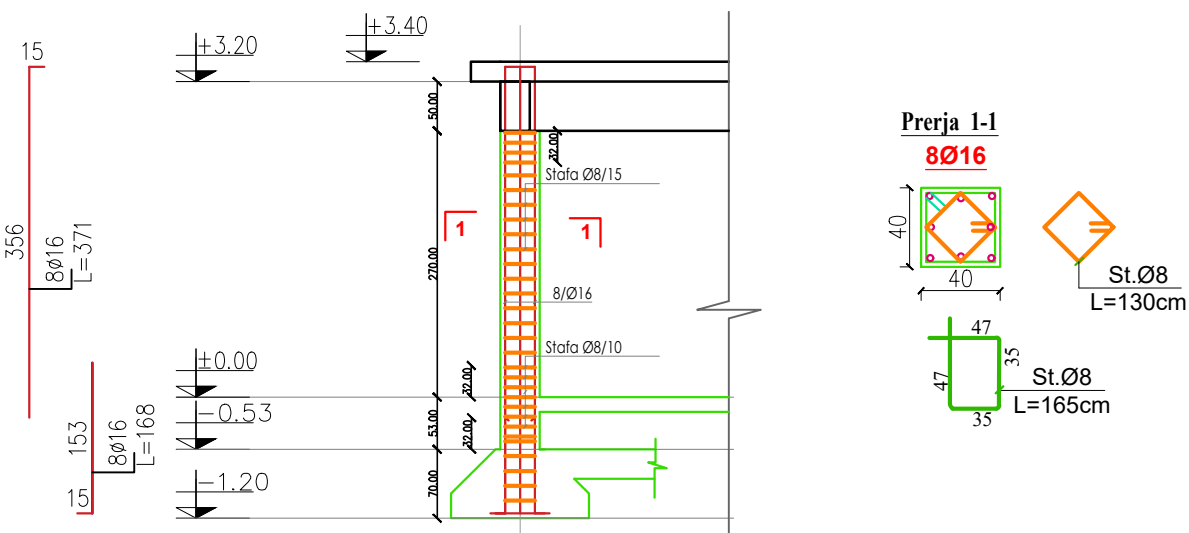


|              |                   |      |       |
|--------------|-------------------|------|-------|
| BETON C20/25 | Dyshemeja e ±0.00 |      |       |
| PERMASAT(m)  | St(m2)            | H(m) | V(m³) |
| VLERA        | 20.8500           | 0.15 | 3.13  |

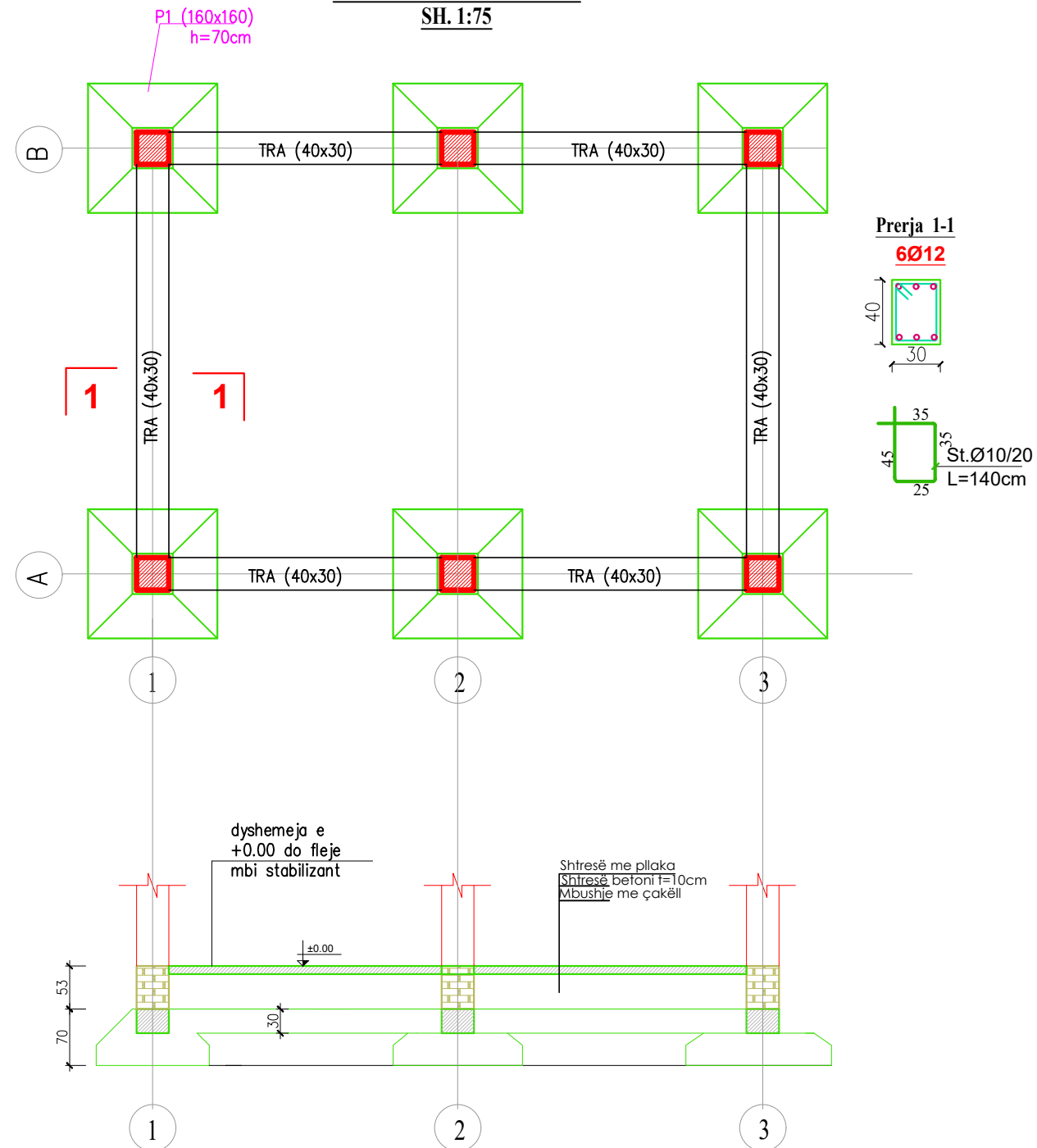
|               |                   |            |  |
|---------------|-------------------|------------|--|
| HEKUR S-500   | Dyshemeja e ±0.00 |            |  |
| DIAMETRI (mm) | Ø8                | Total (kg) |  |
| GJATESIA (mL) | 209.0000          |            |  |
| PESHA(kg)     | 82.56             | 82.6       |  |

|              |          |      |       |
|--------------|----------|------|-------|
| BETON C20/25 | Mur guri |      |       |
| PERMASAT(m)  | St(m2)   | H(m) | V(m³) |
| VLERA        | 10       | 0.53 | 5.30  |

**ARMIMI I KOLLONES (40x40)**  
SH. 1:75



**PLANI I TRAREVE LIDHES**  
SH. 1:75



|            |  |
|------------|--|
| POROSITES: | <b>BASHKIA BULQIZE</b>   |
| OBJEKTI:   | "NDERTIM SISTEM KANALIZIMESH DHE IMPIANT TRAJTIMI TE UJERAVE TE NDOTURA NE QYTETIN BULQIZE E RE" |

|                                     |
|-------------------------------------|
| <b>"ERALD - G" SH.P.K</b>           |
| RRUGA, KONGRESI I LUSHNYES, TIRANE, |

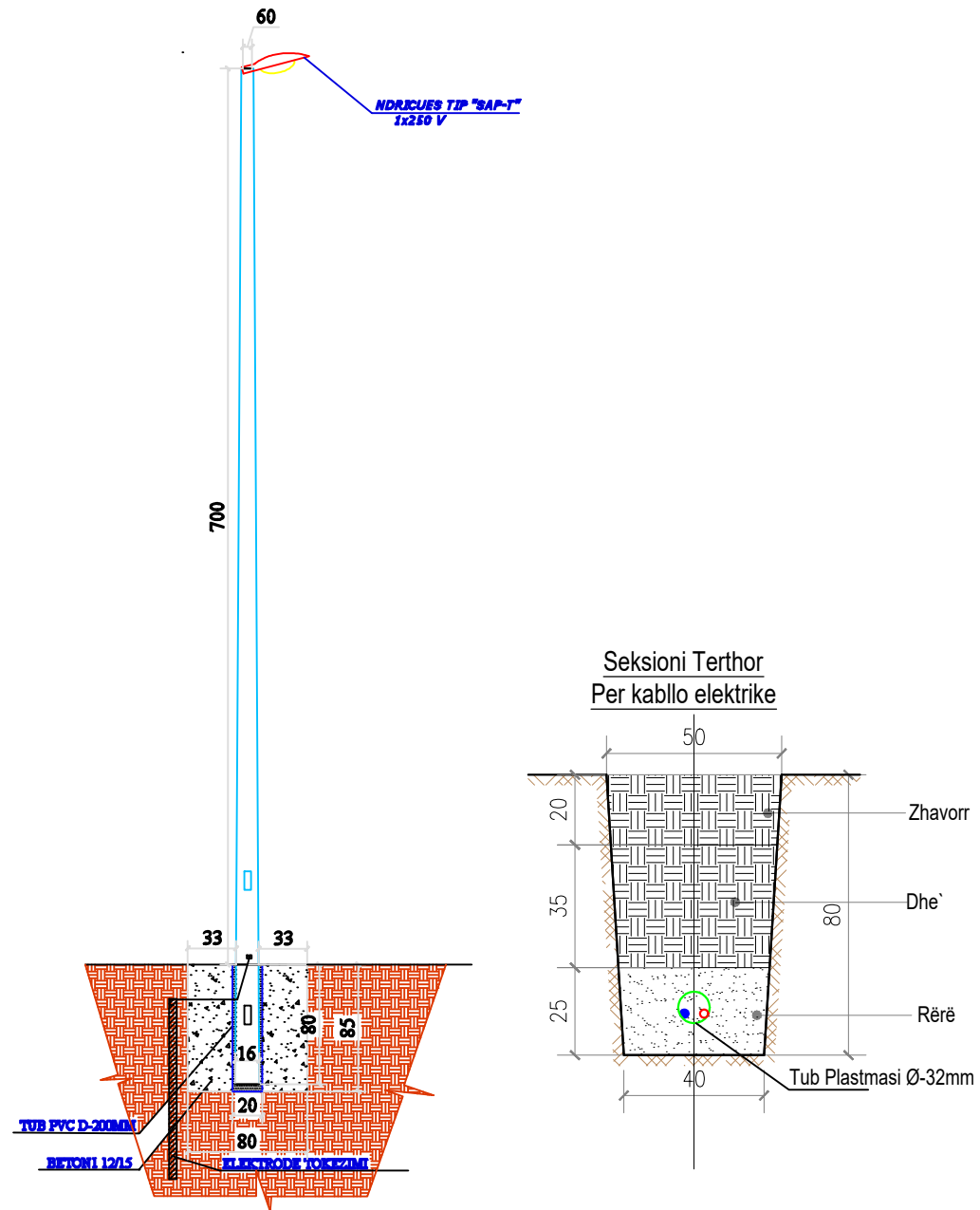
|                             |
|-----------------------------|
| <b>DREJTUES I PROJEKTIT</b> |
| INXH. GEZIM ISLAMI          |

|                      |
|----------------------|
| <b>PROJEKTUES</b>    |
| INXH. GEZIM ISLAMI   |
| HIDR. ANISA ZAKA     |
| INXH. ENDRI PIERO    |
| TOP. KUJTIM CANAMETI |
| ELEK. HAJDAR KURTI   |
| MEK. ARBEN MUHA      |

|                     |
|---------------------|
| INXH. ERINDI GJOKA  |
| GJEO. SHKELZEN GOKA |

|                |                     |
|----------------|---------------------|
| <b>SHKALLA</b> | <b>NR. I FLETES</b> |
| 1:50           | 7-04                |
| TIRANE 2022    | FORMAT A3           |

**DETAJ I SHTYLLES SE NDRICIMIT**  
**Sh.1:20**



|            |  |                                     |                             |                    |                      |                     |                |                     |
|------------|--|-------------------------------------|-----------------------------|--------------------|----------------------|---------------------|----------------|---------------------|
| POROSITES: | <b>BASHKIA BULQIZE</b>   | <b>"ERALD - G" SH.P.K</b>           | <b>DREJTUES I PROJEKTIT</b> | <b>PROJEKTUES</b>  |                      |                     | <b>SHKALLA</b> | <b>NR. I FLETES</b> |
| OBJEKTI:   | "NDERTIM SISTEM KANALIZIMESH DHE IMPIANT TRAJTIMI TE UJERAVE TE NDOTURA NE QYTETIN BULQIZE E RE" | RRUGA, KONGRESI I LUSHNYES, TIRANE, | INXH. GEZIM ISLAMI          | INXH. GEZIM ISLAMI | TOP. KUJTIM CANAMETI | INXH. ERINDI GJOKA  | <b>1:20</b>    | 7-05                |
|            |  |                                     |                             | HIDR. ANISA ZAKA   | ELEK. HAJDAR KURTI   | GJEO. SHKELZEN GOKA |                |                     |
|            |  |                                     |                             | INXH. ENDRI PIERO  | MEK. ARBEN MUHA      |                     | TIRANE 2022    | FORMAT A3           |

# INSTALIMET

# ELEKTRIKE

**OBJEKTI**

**NDËRTIM SISTEM KANALIZIMESH DHE IMPIANT TRAJTIMI  
TË UJËRAVE TË NDOTURA NË QYTETIN BULQIZË E RE**

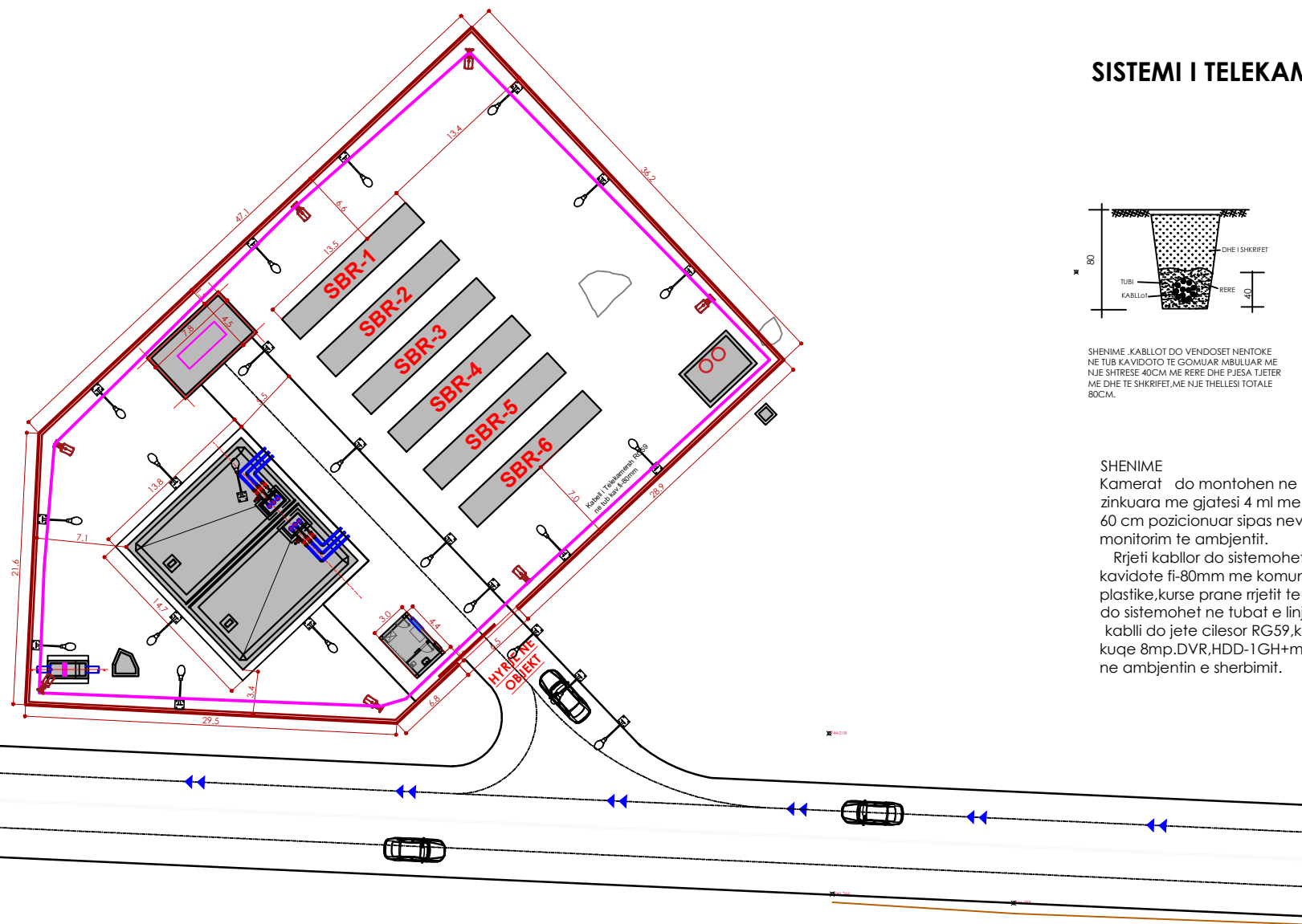
**AUTORITETI  
KONTRAKTOR**

**BASHKIA BULQIZË**

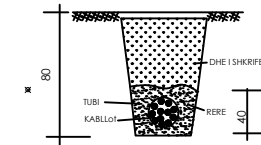
**KONSULENTI**

**“ERALD-G” Shpk**

**VITI 2022**



### SISTEMI I TELEKAMERAVE



SHENIME: KABLOJT DO VENDOSET NEN TOKE NE TUB KAVIDOTO TE GOMIAR MBULUAR ME NJE SHITRESE 40CM ME RERE DHE PJESA TJETER ME DHE TE SHKRIFET ME NJE THELLESJI TOTALE 80CM.

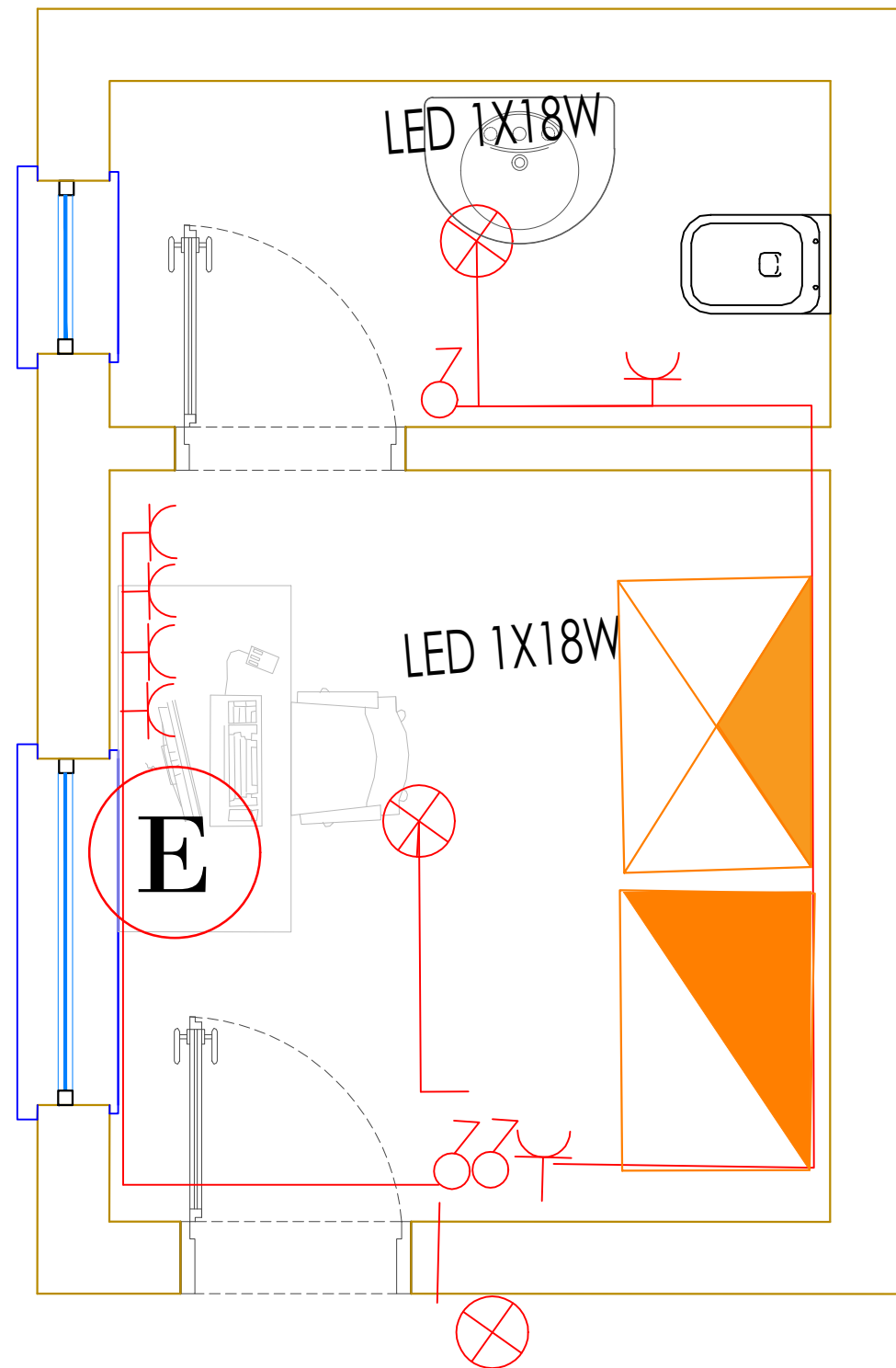
**SHENIME**  
Kamerat do montohen ne shtylla konike te zinkuara me gjatesi 4 ml me fiksime nen toke 60 cm pozicionuar sipas nevojës per monitorim te ambientit.  
Rrjeti kabllor do sistemohet nen toke ne tub kavidote fi-80mm me komunikim me puseta plastike, kurse prane rrjetit te linjave elektrike do sistemohet ne tubat e linjave te dobeta. kabli do jete cilesor RG59, kamerat infra te kuqe 8mp, DVR, HDD-1GH+monitori-32" do inst. ne ambientin e sherbimit.

**SHENIME**  
Linjat elektrike te furnizimeve te makinerive dhe paisjeve do jene te vendosura ne kanalina metalike te zinkuara per zonat mbi toke montuar ne mure dhe konstruksione dhe ne pjeset nen toke do sistemohen ne tuba pvc-160mm vendosur nen toke me mbrojte me beton giate rruges dhe me komunikim giate rruges nentokesore me puseta betoni me mbulesa me kapak gize me permasa standart per funksion shfrytezimi, kurse linjat e sinjaleve te rrymave te dobeta do sistemohen ne kanalina dhe ne tub nen toke si ato elektrike por ne kanalina dhe tuba te vecante nga ato elektrike.

**SHENIME**  
Ndricuesit rrugor do jene me shtylla konike te zinkuara me l-9ml me koke ndricuesi led me drite naryrale me fuqi 250-300W.  
Per sistemimin e komandimit te ndricuesave do perdoret kuader komandimi kompletuar me automate dhe fotoelement drite.

|            |   |                                     |                             |                    |                      |                     |                    |                     |
|------------|---|-------------------------------------|-----------------------------|--------------------|----------------------|---------------------|--------------------|---------------------|
| POROSITES: | <b>BASHKIA BULQIZE</b>  | <b>"ERALD - G" SH.P.K</b>           | <b>DREJTUES I PROJEKTIT</b> | <b>PROJEKTUES</b>  |                      |                     | <b>SHKALLA</b>     | <b>NR. I FLETES</b> |
| OBJEKTI:   | <b>"NDERTIM SISTEM KANALIZIMESH DHE IMPIANT TRAJTIMI TE UJERAVE TE NDOTURA NE QYTETIN BULQIZE E RE"</b> | RRUGA. KONGRESI I LUSHNJES, TIRANE. | INXH. GEZIM ISLAMI          | INXH. GEZIM ISLAMI | TOP. KUJTIM CANAMETI | INXH. ERINDI GJOKA  | SH.K. - 1:500      | 8-01                |
|            |   |                                     |                             | HIDR. ANISA ZAKA   | ELEK. HAJDAR KURTI   | GJEO. SHKELZEN QOKA |                    |                     |
|            |   |                                     |                             | INXH. ENDRI PIERO  | MEK. ARBEN MUHA      |                     |                    |                     |
|            |   |                                     |                             |                    |                      |                     | <b>TIRANE 2022</b> | <b>FORMAT A3</b>    |


# DHOMA E ROJES



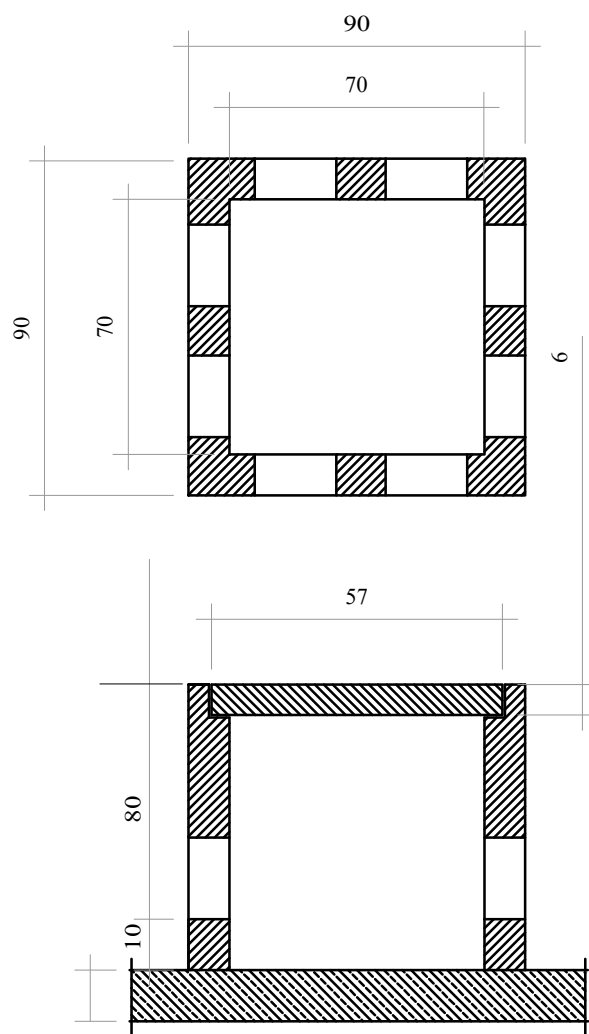
**SHENIME**  
 INSTALIMI ELEKTRIK I AMBJENTEVE TE SHERBIMIT DO REALIZOHET ME PERCJELLES PV-1.5 PER NDRICIMET DHE PERCJELLES PV-2.5 DHE PV-4 PER PRIZAT(INST.FUQISE) FUTUR NE TUBA RIXHIDO PERSHTATUR NR.DHE SEKSIONIT TE PERCJELLESAVE ,ME FIKSIM MBI MURE DHE TAVAN ME KLIPSA.  
 PRIZAT DHE CELSAT DO MONTOHEN MBI MURE NE KUTI HERMETIKE.  
 NDRICIMI DO JETE LED TUB ME NDRICUES PLLAFON 1X18W,IP-56.  
 AMBJENTI DO KENE NDRICIM AVARIE ME NDRICUES EMERGJNT LED MONTUAR MBI MURE.  
 NE AMBJENTET E BRENDSHME TE OBJEKTIT DO SISTEMOHEN PANESI I FUQISE DHE I PLC PER SISTEMIN E TELEKONTROLLIT SE BASHKU ME NJE UPS 5 KVA ,220V,PER AUTONOMI-2H.  
 INSTALIMI DO KETE MBROJTJE MAGNETO TERMIKE DHE DIFERENCIALE ,PERCJELLESI I TOKEZIMIT TE INSTALIMIT DO LIDHET ME RRJETIN E TOKEZIMIT TE OBJEKTIT.

## LEGJENDE:

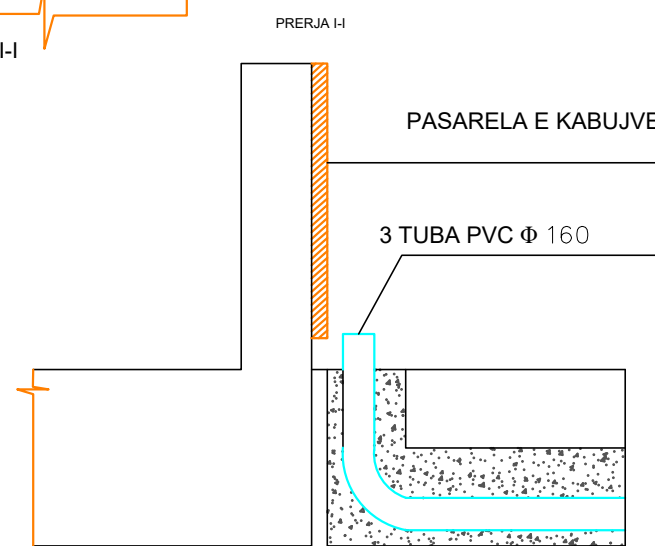
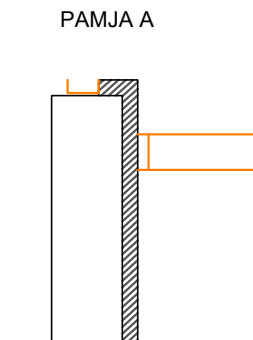
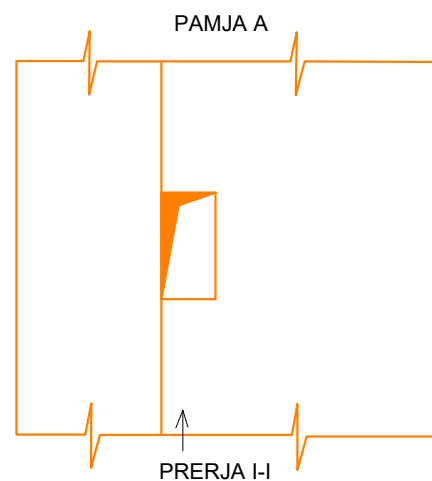
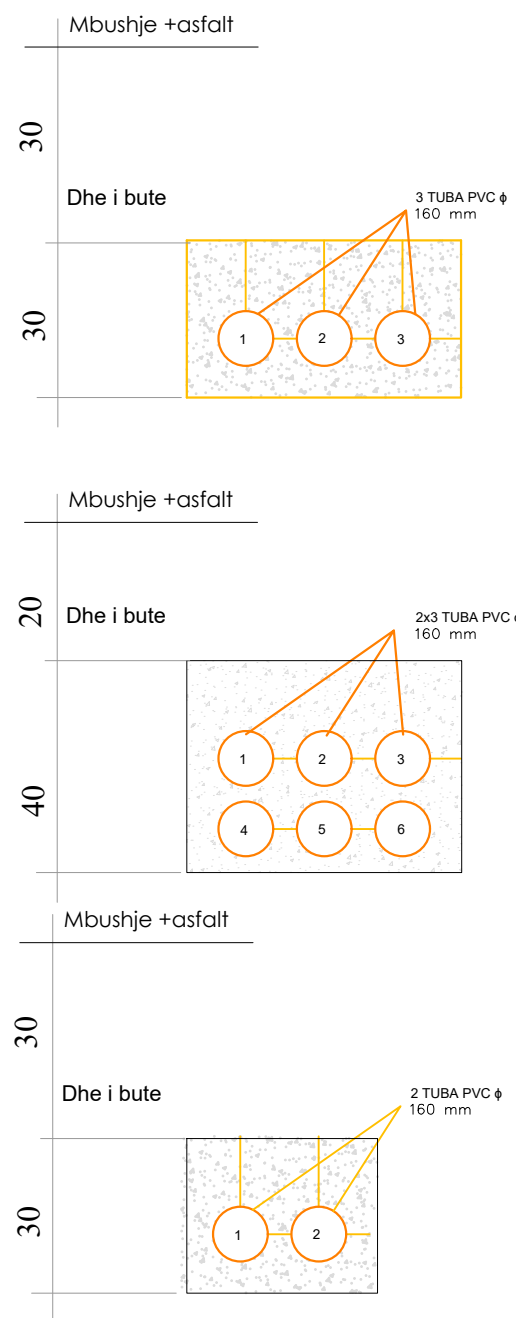
-  KUADER ELEKTRIK
-  KUADER ELEKTRONIK(PLC)
-  CELES 1P,10A
-  PRIZE UNIVERSALE F+N+T,16A
-  EMERGJENCE

|            |   |   |                             |                    |                      |                     |                |                     |
|------------|---|---|-----------------------------|--------------------|----------------------|---------------------|----------------|---------------------|
| POROSITES: | <b>BASHKIA BULQIZE</b>  | <b>"ERALD - G" SH.P.K</b>   | <b>DREJTUES I PROJEKTIT</b> | <b>PROJEKTUES</b>  |                      |                     | <b>SHKALLA</b> | <b>NR. I FLETES</b> |
| OBJEKTI:   | <b>"NDERTIM SISTEM KANALIZIMESH DHE IMPIANT TRAJTIMI TE UJERAVE TE NDOTURA NE QYTETIN BULQIZE E RE"</b> |  RRUGA. KONGRESI I LUSHNJES, TIRANE. | INXH. GEZIM ISLAMI          | INXH. GEZIM ISLAMI | TOP. KUJTIM CANAMETI | INXH. ERINDI GJOKA  | SH.K. - 1:25   | 8-02                |
|            |   |   |                             | HIDR. ANISA ZAKA   | ELEK. HAJDAR KURTI   | GJEO. SHKELZEN QOKA | TIRANE 2022    | FORMAT A3           |
|            |   |   |                             | INXH. ENDRI PIERO  | MEK. ARBEN MUHA      |                     |                |                     |

PUSETE b/a 90x90x90 cm  
me kapak gize standart  
sh.1:20



MONTIMI NE BETON NEN  
TOKE TE TUBAVE PVC

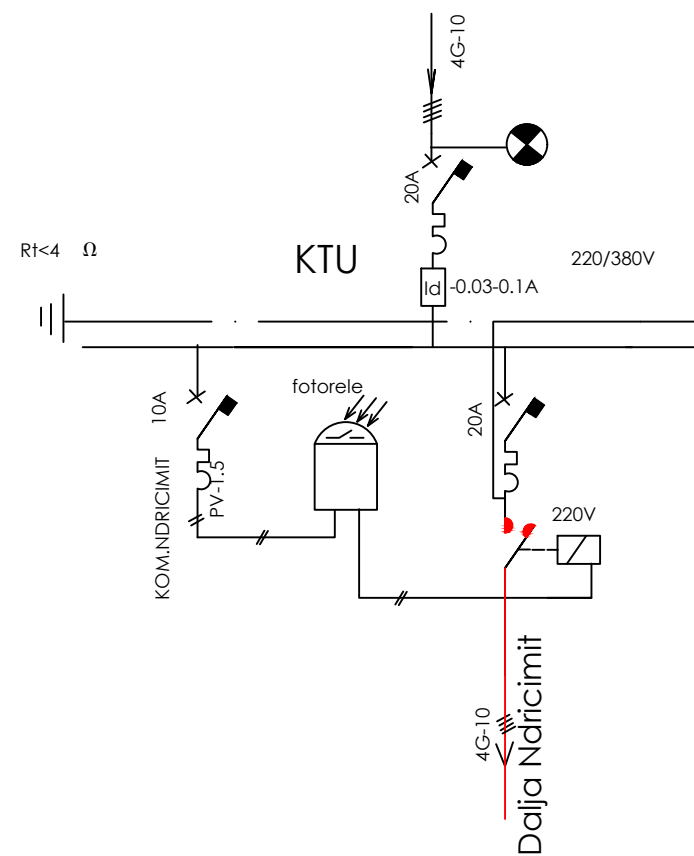


LEGJENDE:

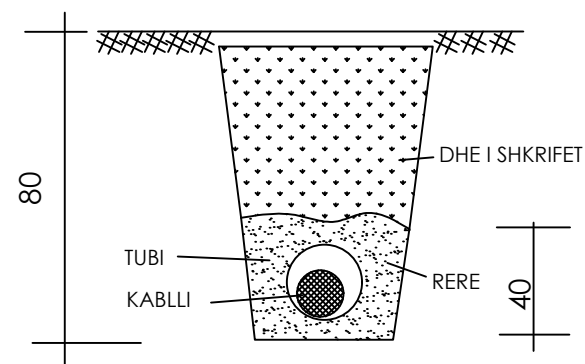
- SN SENSOR NILELI
- PS PRESOSTAT
- LS NIVELMATES
- FS FLUKSOSTAT
- Pusete
- KANALINE METALIKE PER KABLOT
- KANAL PER VENDOSJEN E TUBACIONEVE NEN TOKE PER KABLO ELEKTRIKE
- TUB I NDERPRERE PVC PER KABUJT ELEKTRIKE
- EP Elektropompe
- KUADER ELEKTRIK
- KUADER ELEKTRONIK(PLC)

|            |   |   |                             |                           |                             |                            |                     |                     |
|------------|---|---|-----------------------------|---------------------------|-----------------------------|----------------------------|---------------------|---------------------|
| POROSITES: | <b>BASHKIA BULQIZE</b>  | <b>"ERALD - G" SH.P.K</b>                 | <b>DREJTUES I PROJEKTIT</b> | <b>PROJEKTUES</b>         |                             |                            | <b>SHKALLA</b>      | <b>NR. I FLETES</b> |
| OBJEKTI:   | <b>"NDERTIM SISTEM KANALIZIMESH DHE IMPIANT TRAJTIMI TE UJERAVE TE NDOTURA NE QYTETIN BULQIZE E RE"</b> | RRUGA.<br>KONGRESI I LUSHNYES,<br>TIRANE. | INXH. <b>GEZIM ISLAMI</b>   | INXH. <b>GEZIM ISLAMI</b> | TOP. <b>KUJTIM CANAMETI</b> | INXH. <b>ERINDI GJOKA</b>  | <b>SH.K. - 1:20</b> | <b>8-03</b>         |
|            |   |   |                             | HIDR. <b>ANISA ZAKA</b>   | ELEK. <b>HAJDAR KURTI</b>   | GJEO. <b>SHKELZEN QOKA</b> | <b>TIRANE 2022</b>  | <b>FORMAT A3</b>    |
|            |   |   |                             | INXH. <b>ENDRI PIERO</b>  | MEK. <b>ARBEN MUHA</b>      |                            |                     |                     |

# Skema elektrike e kuadrit komandimit te ndricimit rrugor



VENDOJA E KABLLIT TE FURNIZIMIT NEN TOKE



SHENIME .KABLLI DO VENDOSSET NENTOKE NE TUB KAVIDOTO TE GOMUAR MBULUAR ME NJE SHITRESE 40CM ME RERE DHE PJESA TJETER ME DHE TE SHKRIFET,ME NJE THELLESI TOTALE 80CM.

|            |   |                                     |                             |                    |                      |                     |                |                     |
|------------|---|-------------------------------------|-----------------------------|--------------------|----------------------|---------------------|----------------|---------------------|
| POROSITES: | <b>BASHKIA BULQIZE</b>  | <b>"ERALD - G" SH.P.K</b>           | <b>DREJTUES I PROJEKTIT</b> | <b>PROJEKTUES</b>  |                      |                     | <b>SHKALLA</b> | <b>NR. I FLETES</b> |
| OBJEKTI:   | <b>"NDERTIM SISTEM KANALIZIMESH DHE IMPIANT TRAJTIMI TE UJERAVE TE NDOTURA NE QYTETIN BULQIZE E RE"</b> | RRUGA. KONGRESI I LUSHNJES, TIRANE, | INXH. GEZIM ISLAMI          | INXH. GEZIM ISLAMI | TOP. KUJTIM CANAMETI | INXH. ERINDI GJOKA  | SH.K. - 1:20   | <b>8-04</b>         |
|            |   |                                     |                             | HIDR. ANISA ZAKA   | ELEK. HAJDAR KURTI   | GJEO. SHKELZEN QOKA | TIRANE 2022    | <b>FORMAT A3</b>    |
|            |   |                                     |                             | INXH. ENDRI PIERO  | MEK. ARBEN MUHA      |                     |                |                     |

**NDERTIMI**

# **I KABINES SHTYLLORE**

**OBJEKTI**

**NDËRTIM SISTEM KANALIZIMESH DHE IMPIANT TRAJTIMI  
TË UJËRAVE TË NDOTURA NË QYTETIN BULQIZË E RE**

**AUTORITETI  
KONTRAKTOR**

**BASHKIA BULQIZË**

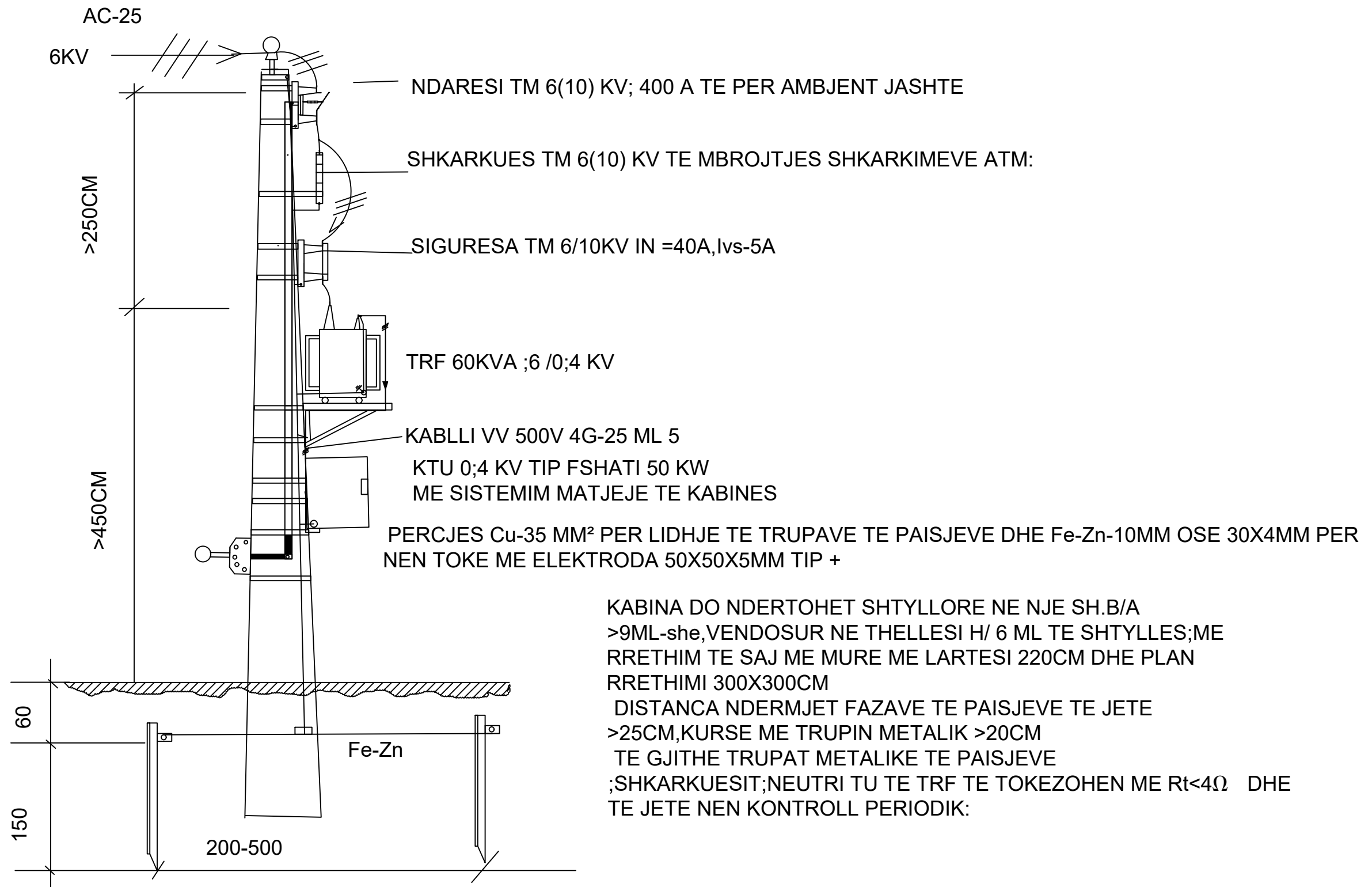
**KONSULENTI**

**“ERALD-G” Shpk**

**VITI 2022**



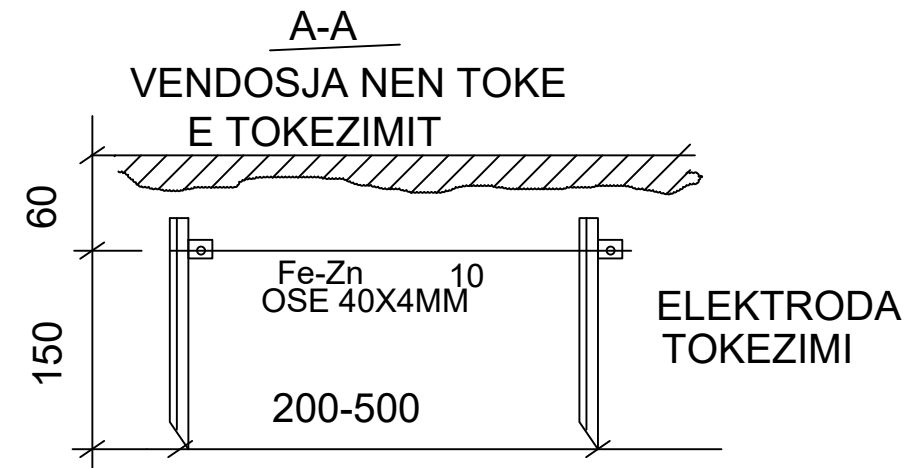
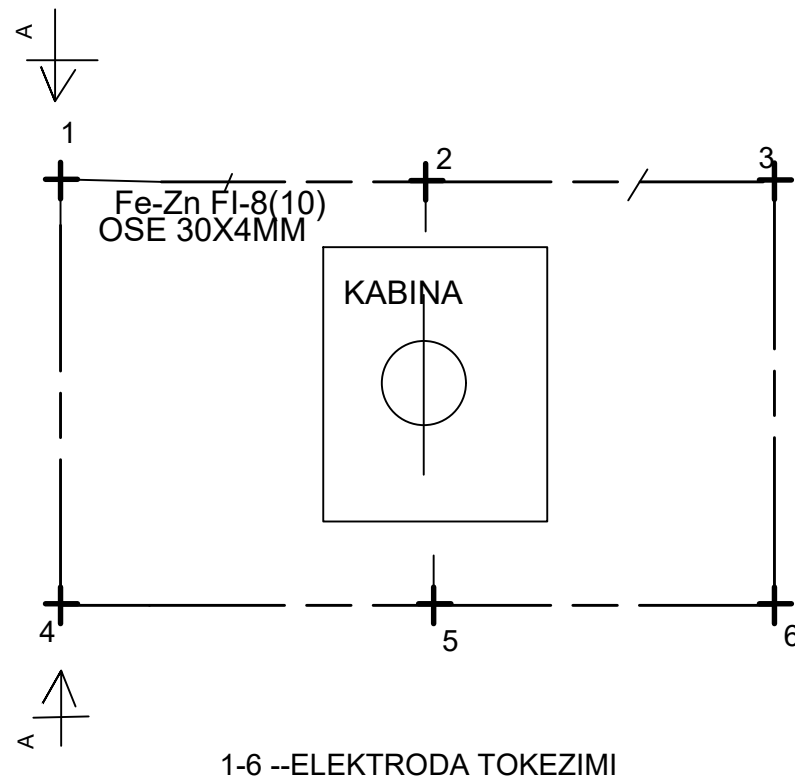
## NDERTIMI KABINES SHTYLLORE NE NJE SHT: B/A



KABINA DO NDERTOHEH SHTYLLORE NE NJE SH.B/A  
>9ML-she, VENDOSUR NE THELLESI H/ 6 ML TE SHTYLLES; ME  
RRETHIM TE SAJ ME MURE ME LARTESI 220CM DHE PLAN  
RRETHIMI 300X300CM  
DISTANCA NDERMJET FAZAVE TE PAISJEVE TE JETE  
>25CM, KURSE ME TRUPIN METALIK >20CM  
TE GJITHE TRUPAT METALIKE TE PAISJEVE  
;SHKARKUESIT; NEUTRI TU TE TRF TE TOKEZOHEN ME  $R_t < 4\Omega$  DHE  
TE JETE NEN KONTROLL PERIODIK:

|            |  |                                     |                             |                    |                      |                     |                |                     |
|------------|--|-------------------------------------|-----------------------------|--------------------|----------------------|---------------------|----------------|---------------------|
| POROSITES: | <b>BASHKIA BULQIZE</b>   | <b>"ERALD - G" SH.P.K</b>           | <b>DREJTUES I PROJEKTIT</b> | <b>PROJEKTUES</b>  |                      |                     | <b>SHKALLA</b> | <b>NR. I FLETES</b> |
| OBJEKTI:   | "NDERTIM SISTEM KANALIZIMESH DHE IMPIANT TRAJTIMI TE UJERAVE TE NDOTURA NE QYTETIN BULQIZE E RE" | RRUGA. KONGRESI I LUSHNJES, TIRANE, | INXH. GEZIM ISLAMI          | INXH. GEZIM ISLAMI | TOP. KUJTIM CANAMETI | INXH. ERINDI GJOKA  | SH.K. - 1:50   | 9-01                |
|            |  |                                     |                             | HIDR. ANISA ZAKA   | ELEK. HAJDAR KURTI   | GJEO. SHKELZEN QOKA | TIRANE 2022    | FORMAT A3           |
|            |  |                                     |                             | INXH. ENDRI PIERO  | MEK. ARBEN MUHA      |                     |                |                     |

## INSTALIMI TOKEZIMIT TE KABINES



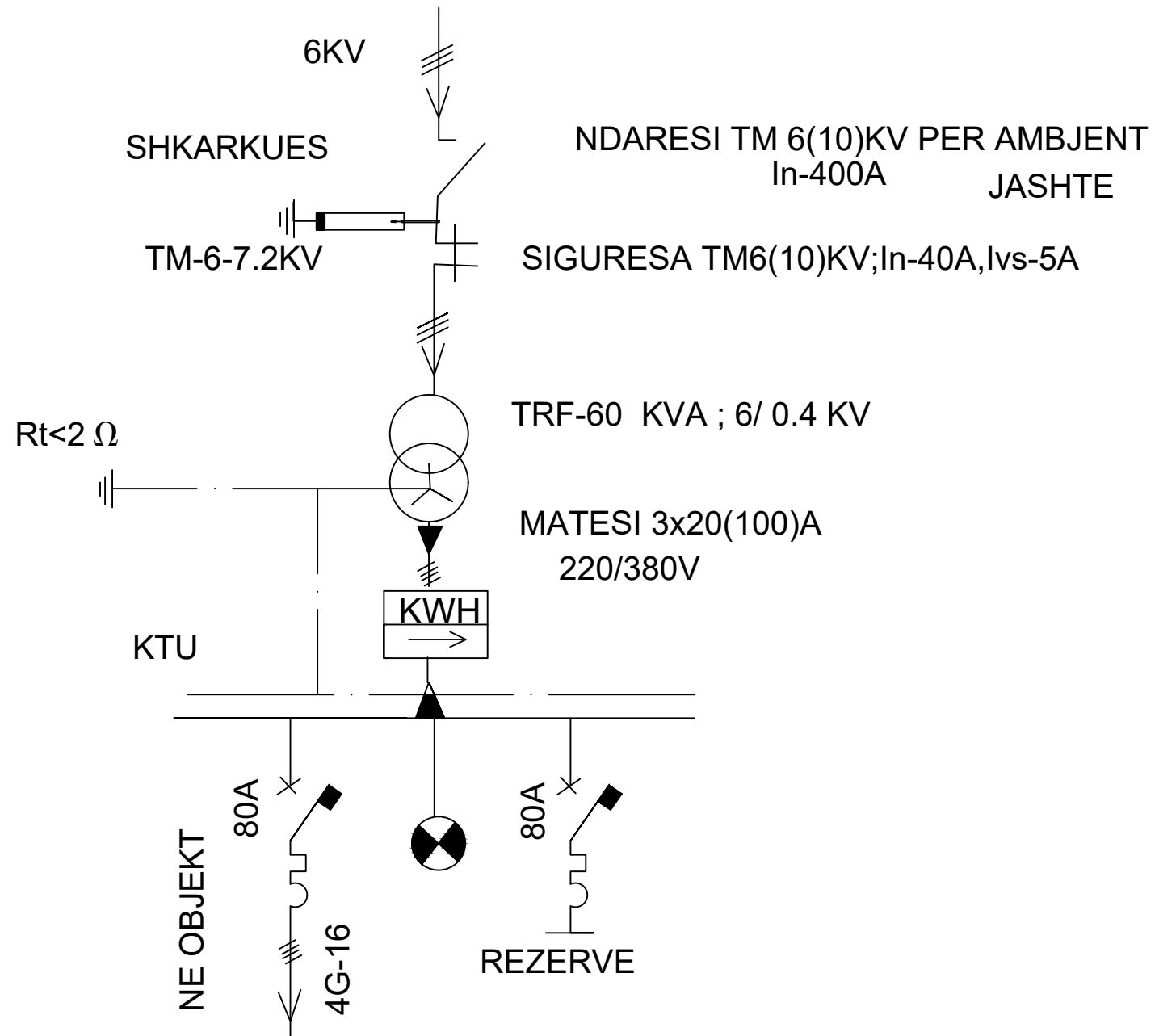
### SHENIME

TOKEZIMI DO REALIZOHET ME ELEKTRODA TE ZINKUARA TIP + (Fe-Zn)-50X50X5MM L-150CM COPE-6 ME KONTUR TOKEZIMI SHUFER Ø-8(10) OSE SHIRIT 30X4MM TE ZINKUAR BASHKUAR ME ELEKTRODAT ME BULLONA DHE DADO TE POSACME M-10 (Fe-Zn).

KONTURI TOKEZIMIT DO BASHKOHET ME PERCJELLESIN E TOKEZIMIT ME MORSETA UNIVERSALE ME MUNDESINE E SHKEPUTJES PER KONTROLL TE VLERES SE TOKEZIMIT DO TOKEZOHEN TRUPAT METALIKE TE PAISJEVE ; NEUTRI. REZISTENCA <math>< 2\Omega</math> NE CDO KOHE DHE TE JETE NEN KONTROLL PERIODIK (DIMER-VERE).

|            |  |                                     |                      |                    |                      |                     |              |              |
|------------|--|-------------------------------------|----------------------|--------------------|----------------------|---------------------|--------------|--------------|
| POROSITES: | <b>BASHKIA BULQIZE</b>   | <b>"ERALD - G" SH.P.K</b>           | DREJTUES I PROJEKTIT | PROJEKTUES         |                      |                     | SHKALLA      | NR. I FLETES |
| OBJEKTI:   | "NDERTIM SISTEM KANALIZIMESH DHE IMPIANT TRAJTIMI TE UJERAVE TE NDOTURA NE QYTETIN BULQIZE E RE" | RRUGA. KONGRESI I LUSHNJES, TIRANE, | INXH. GEZIM ISLAMI   | INXH. GEZIM ISLAMI | TOP. KUJTIM CANAMETI | INXH. ERINDI GJOKA  | SH.K. - 1:50 | 9-02         |
|            |  |                                     |                      | HIDR. ANISA ZAKA   | ELEK. HAJDAR KURTI   | GJEO. SHKELZEN QOKA | TIRANE 2022  | FORMAT A3    |
|            |  |                                     |                      | INXH. ENDRI PIERO  | MEK. ARBEN MUHA      |                     |              |              |

## SKEMA ELEKTRIKE E KABINES



|            |  |                                     |                      |                    |                      |                     |              |              |
|------------|--|-------------------------------------|----------------------|--------------------|----------------------|---------------------|--------------|--------------|
| POROSITES: | <b>BASHKIA BULQIZE</b>   | <b>"ERALD - G" SH.P.K</b>           | DREJTUES I PROJEKTIT | PROJEKTUES         |                      |                     | SHKALLA      | NR. I FLETES |
| OBJEKTI:   | "NDERTIM SISTEM KANALIZIMESH DHE IMPIANT TRAJTIMI TE UJERAVE TE NDOTURA NE QYTETIN BULQIZE E RE" | RRUGA. KONGRESI I LUSHNJES, TIRANE, | INXH. GEZIM ISLAMI   | INXH. GEZIM ISLAMI | TOP. KUJTIM CANAMETI | INXH. ERINDI GJOKA  | SH.K. - 1:50 | 9-03         |
|            |  |                                     |                      | HIDR. ANISA ZAKA   | ELEK. HAJDAR KURTI   | GJEO. SHKELZEN QOKA | TIRANE 2022  | FORMAT A3    |
|            |  |                                     |                      | INXH. ENDRI PIERO  | MEK. ARBEN MUHA      |                     |              |              |

**DEPO**

**V= 500 m<sup>3</sup>**

**OBJEKTI**

**NDËRTIM SISTEM KANALIZIMESH DHE IMPIANT TRAJTIMI  
TË UJËRAVE TË NDOTURA NË QYTETIN BULQIZË E RE**

**AUTORITETI  
KONTRAKTOR**

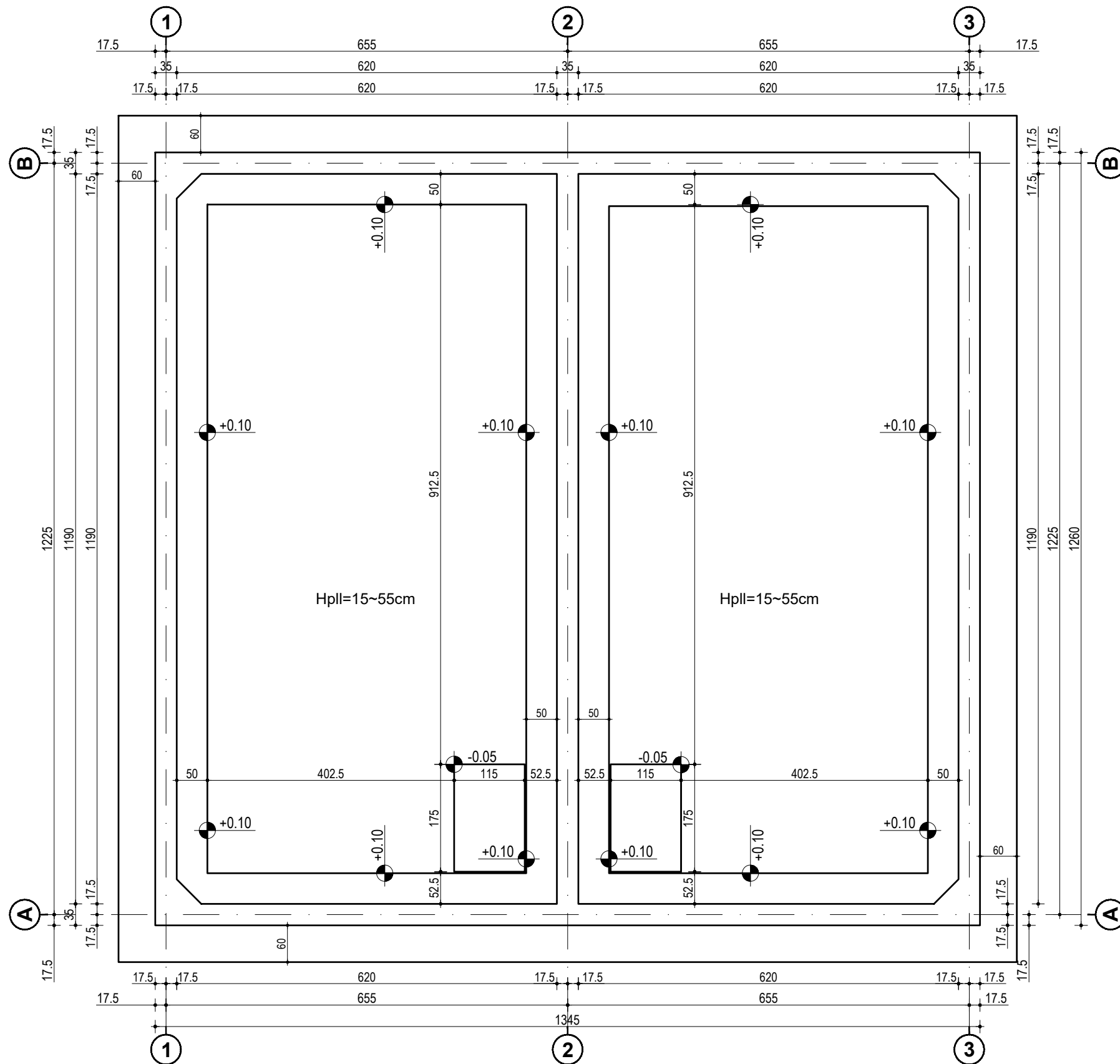
**BASHKIA BULQIZË**

**KONSULENTI**

**“ERALD-G” Shpk**

**VITI 2022**

# PLANI I PIKETIMIT TË SHITESËS B.A. NË KUOTAT -0.05 ~ +0.10

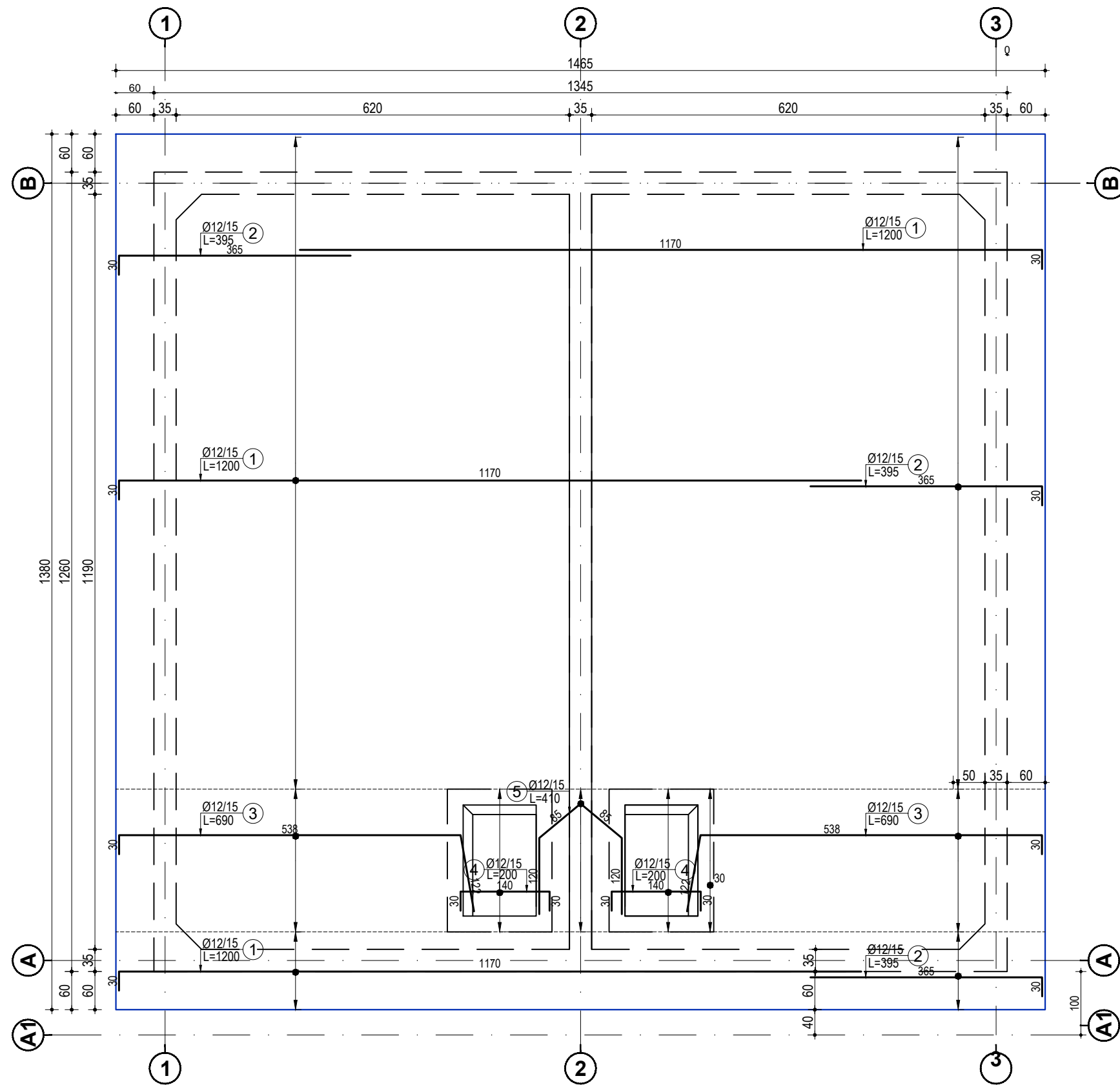


BETON C 25/30 ÇELIK S-500 ( $f_{yk} > 500 \text{MPa}$ )

|            |  |  |                              |  |  |  |   |                         |
|------------|--|--|------------------------------|--|--|--|---|-------------------------|
| POROSITES: | <b>BASHKIA BULQIZE</b>   | <b>"ERALD - G" SH.P.K</b><br> RRUGA.<br>KONGRESI I LUSHNYES,<br>TIRANE. | <b>DREJTUES I PROJEKTTIT</b> |  | <b>PROJEKTUES</b>  |  | <b>SHKALLA</b>  | <b>NR. I FLETES</b>     |
| OBJEKTI:   | "NDERTIM SISTEM KANALIZIMESH DHE IMPIANT TRAJTIMI TE UJERAVE TE NDOTURA NE QYTETIN BULQIZE E RE" |  | INXH. <b>GEZIM ISLAMI</b>    |  | INXH. <b>GEZIM ISLAMI</b><br>HIDR. <b>ANISA ZAKA</b><br>INXH. <b>ENDRI PIERO</b> | TOP. <b>KUJTIM CANAMETI</b><br>ELEK. <b>HAJDAR KURTI</b><br>MEK. <b>ARBEN MUHA</b> | INXH. <b>ERINDI GJOKA</b><br>GJEO. <b>SHKELZEN QOKA</b> | SHK 1:75<br>TIRANE 2022 |



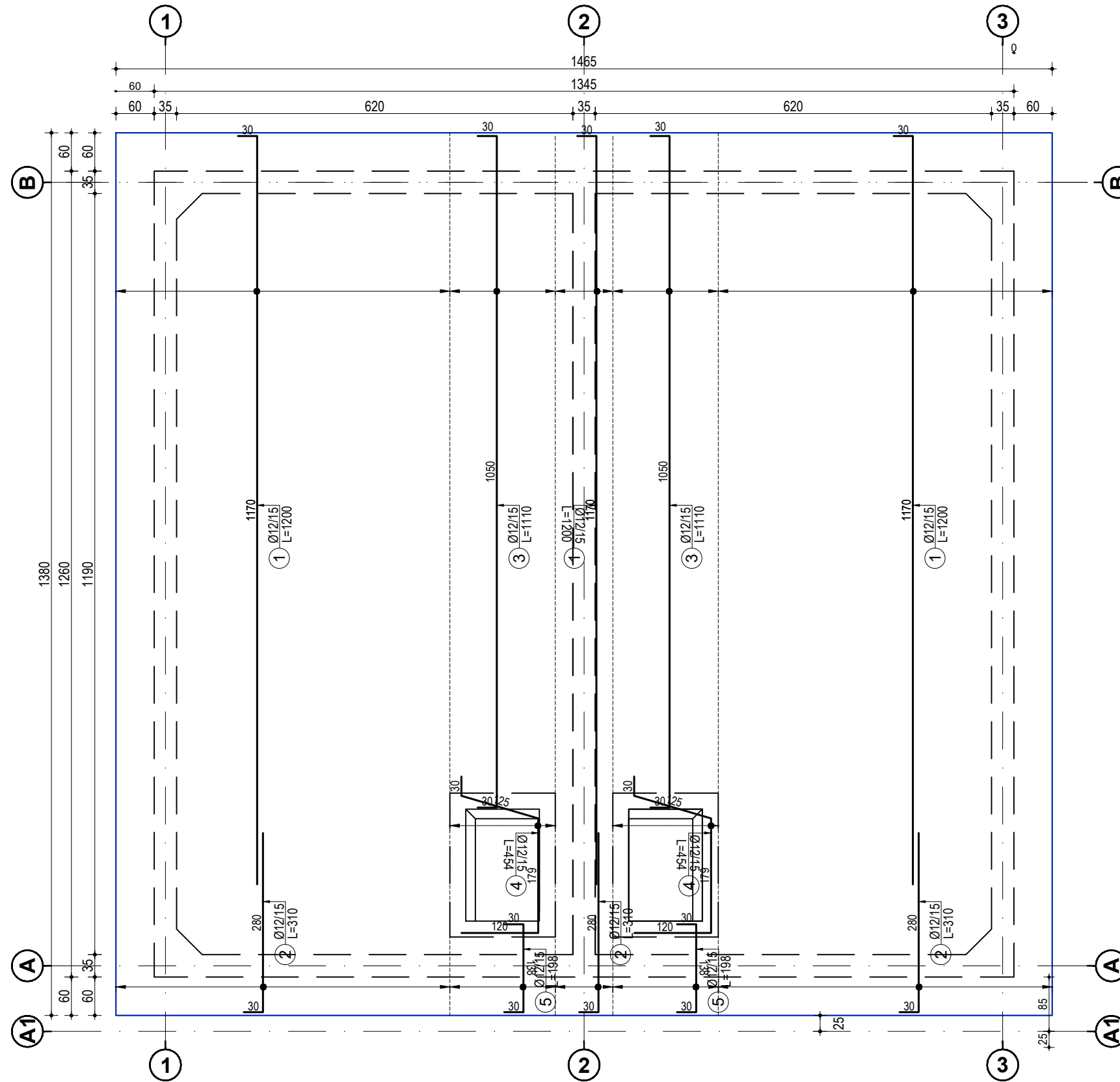
# PLANI I ARMIMIT TË BAZAMENTIT DHE GROPES SE SHKARKIMIT ZGARA E SIPERME (DREJTIMI SIPAS AKSIT A)



BETON C 25/30 ÇELIK S-500 (fyk>500MPa)

|            |   |   |                      |                    |                      |                     |              |
|------------|---|---|----------------------|--------------------|----------------------|---------------------|--------------|
| POROSITES: | BASHKIA BULQIZE   | "ERALD - G" SH.P.K                        | DREJTUES I PROJEKTIT | PROJEKTUES         |                      | SHKALLA             | NR. I FLETES |
| OBJEKTI:   | "NDERTIM SISTEM KANALIZIMESH DHE IMPIANT TRAJTIMI<br>TE UJERAVE TE NDOTURA NE QYTETIN BULQIZE E RE" | RRUGA.<br>KONGRESI I LUSHNJES,<br>TIRANE. | INXH. GEZIM ISLAMI   | INXH. GEZIM ISLAMI | TOP. KUJTIM CANAMETI | INXH. ERINDI GJOKA  | 10 -03       |
|            |   |   |                      | HIDR. ANISA ZAKA   | ELEK. HAJDAR KURTI   | GJEO. SHKELZEN QOKA |              |
|            |   |   |                      | INXH. ENDRI PIERO  | MEK. ARBEN MUHA      |                     |              |
|            |   |   |                      |                    |                      | TIRANE 2022         | FORMAT A3    |

# PLANI I ARMIMIT TË BAZAMENTIT DHE GROPES SE SHKARKIMIT ZGARA E POSHTME DREJTIMI SIPAS AKSIT 1)



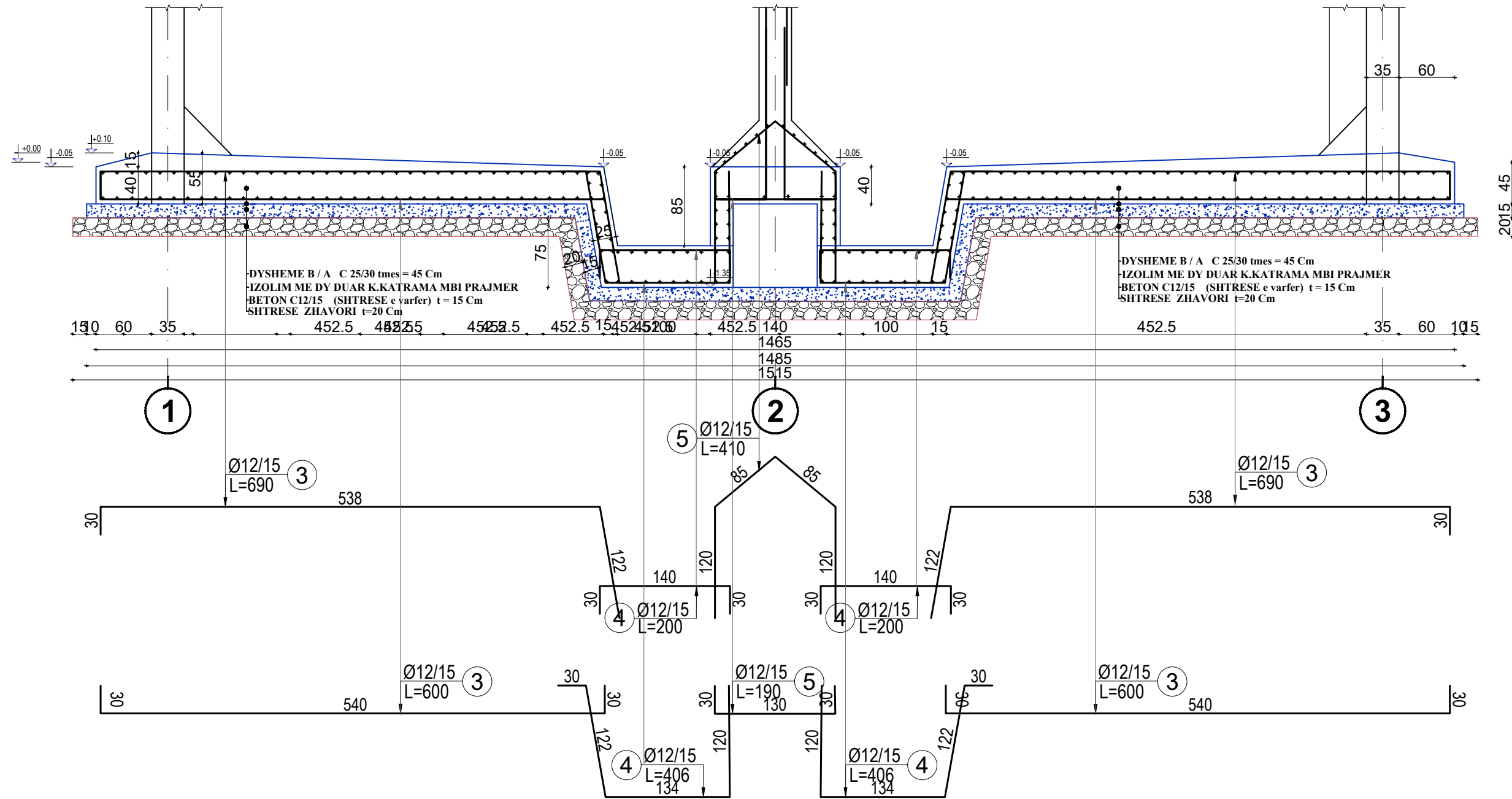
BETON C 25/30 ÇELIK S-500 (fyk>500MPa)

|            |   |   |                              |                    |                      |                     |                     |
|------------|---|---|------------------------------|--------------------|----------------------|---------------------|---------------------|
| POROSITES: | BASHKIA BULQIZE   | <b>"ERALD - G" SH.P.K</b>                 | <b>DREJTUES I PROJEKTTIT</b> | <b>PROJEKTUES</b>  |                      | <b>SHKALLA</b>      | <b>NR. I FLETES</b> |
| OBJEKTI:   | "NDERTIM SISTEM KANALIZIMESH DHE IMPIANT TRAJTIMI<br>TE UJERAVE TE NDOTURA NE QYTETIN BULQIZE E RE" | RRUGA.<br>KONGRESI I LUSHNJES,<br>TIRANE. | INXH. GEZIM ISLAMI           | INXH. GEZIM ISLAMI | TOP. KUJTIM CANAMETI | INXH. ERINDI GJOKA  | 10-04               |
|            |   |   |                              | HIDR. ANISA ZAKA   | ELEK. HAJDAR KURTI   | GJEO. SHKELZEN QOKA | SHK 1:75            |
|            |   |   |                              | INXH. ENDRI PIERO  | MEK. ARBEN MUHA      | TIRANE 2022         | FORMAT A3           |





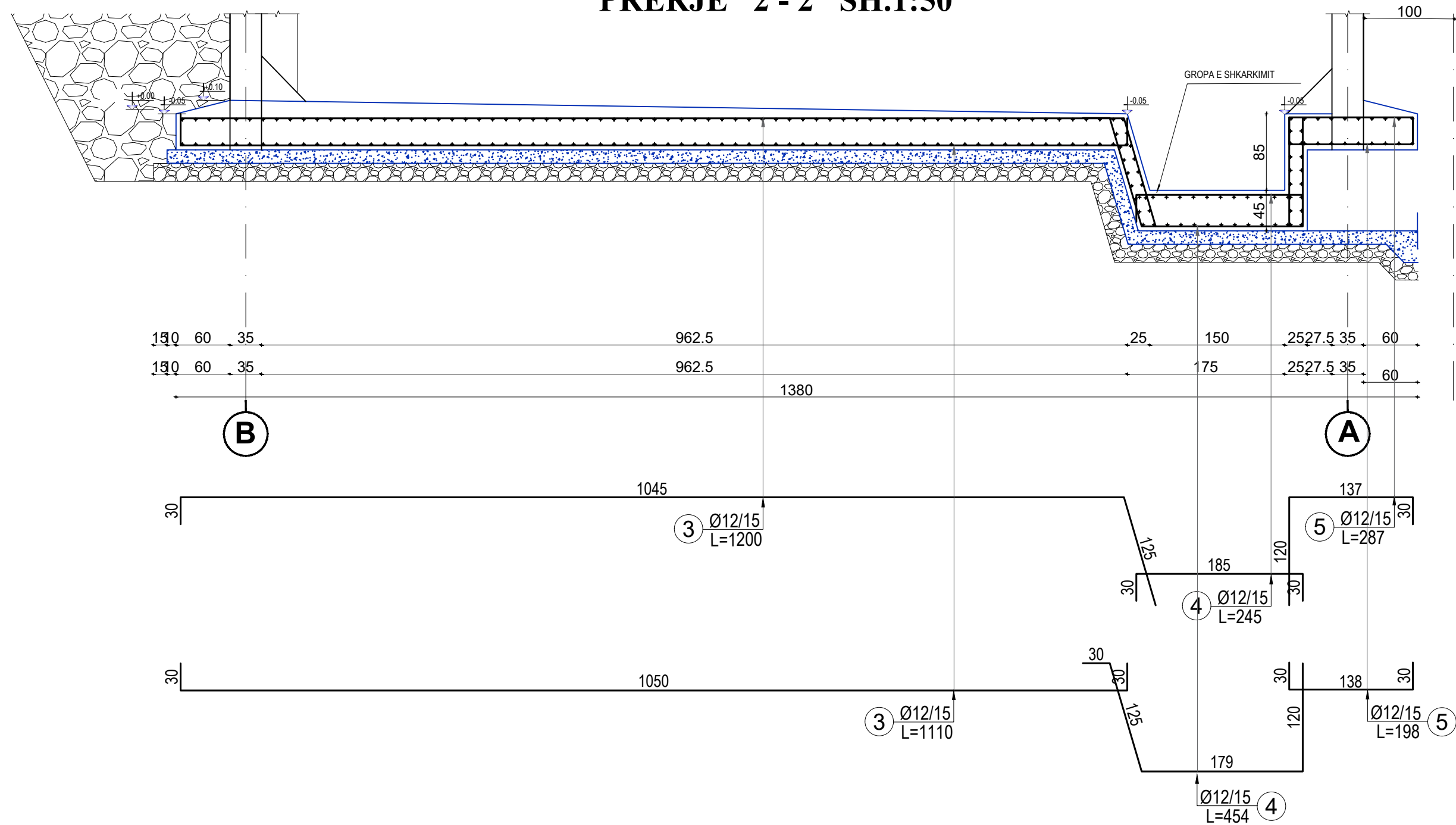
# ARMIMI I GROPES SE SHKARKIMIT (DREJTIMI SIPAS AKSIT A) PRERJE 1 - 1 SH.1:50



BETON C 25/30 ÇELIK S-500 (fyk>500MPa)

|            |  |                                     |                       |                    |                      |                     |             |              |
|------------|--|-------------------------------------|-----------------------|--------------------|----------------------|---------------------|-------------|--------------|
| POROSITES: | <b>BASHKIA BULQIZE</b>   | <b>"ERALD - G" SH.P.K</b>           | DREJTUES I PROJEKTTIT | PROJEKTUES         |                      |                     | SHKALLA     | NR. I FLETES |
| OBJEKTI:   | "NDERTIM SISTEM KANALIZIMESH DHE IMPIANT TRAJTIMI TE UJERAVE TE NDOTURA NE QYTETIN BULQIZE E RE" | RRUGA. KONGRESI I LUSHNYES, TIRANE. | INXH. GEZIM ISLAMI    | INXH. GEZIM ISLAMI | TOP. KUJTIM CANAMETI | INXH. ERINDI GJOKA  | SHK 1:50    | 10 -06       |
|            |  |                                     |                       | HIDR. ANISA ZAKA   | ELEK. HAJDAR KURTI   | GJEO. SHKELZEN QOKA | TIRANE 2022 | FORMAT A3    |
|            |  |                                     |                       | INXH. ENDRI PIERO  | MEK. ARBEN MUHA      |                     |             |              |

# ARMIMI I GROPES SE SHKARKIMIT (DREJTIMI SIPAS AKSIT 1) PRERJE 2 - 2 SH.1:50

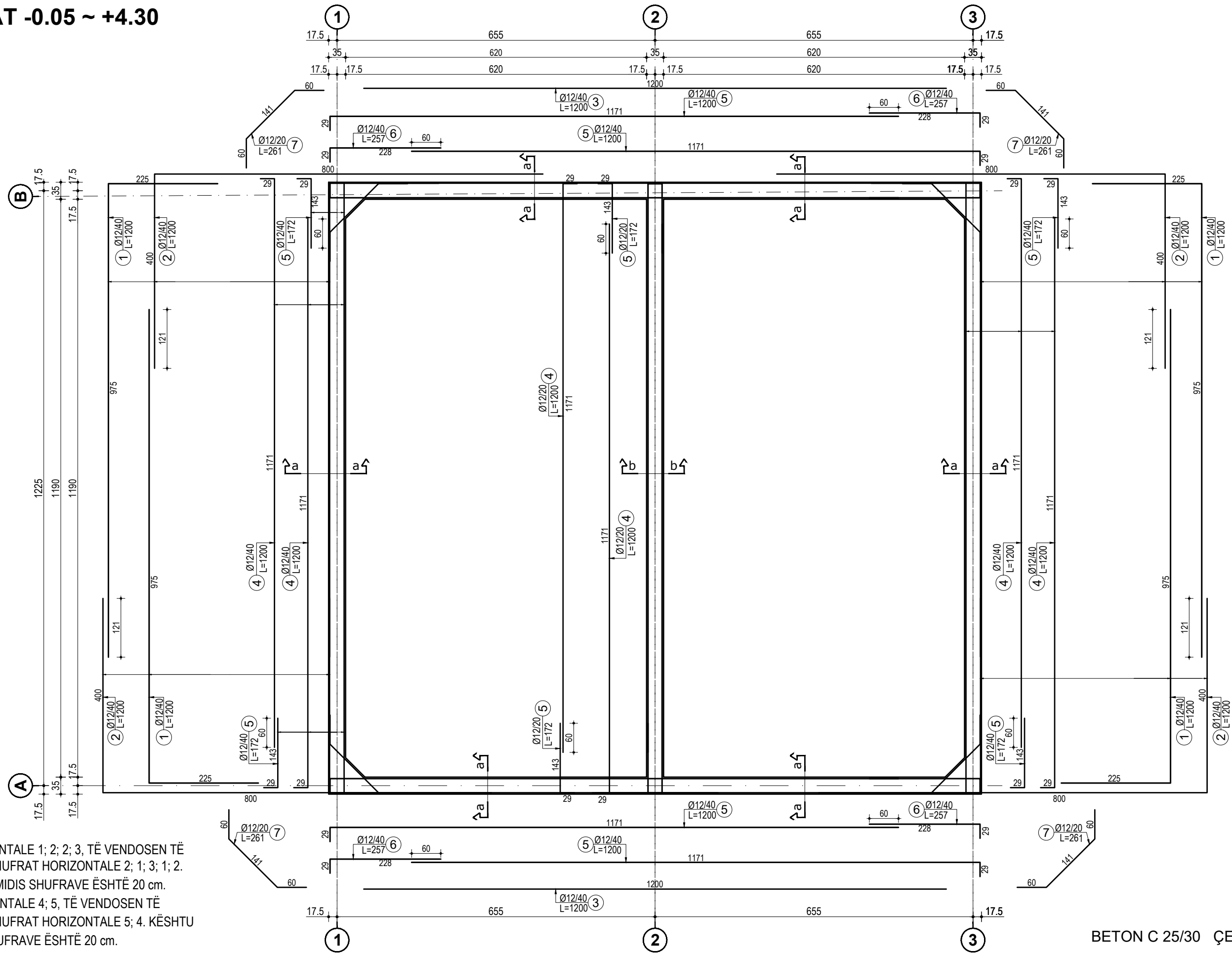


BETON C 25/30 ÇELIK S-500 (fyk>500MPa)

|            |  |                                     |                      |                    |                      |                     |             |              |
|------------|--|-------------------------------------|----------------------|--------------------|----------------------|---------------------|-------------|--------------|
| POROSITES: | BASHKIA BULQIZE  | "ERALD - G" SH.P.K                  | DREJTUES I PROJEKTIT | PROJEKTUES         |                      |                     | SHKALLA     | NR. I FLETES |
| OBJEKTI:   | "NDERTIM SISTEM KANALIZIMESH DHE IMPIANT TRAJTIMI TE UJERAVE TE NDOTURA NE QYTETIN BULQIZE E RE" | RRUGA. KONGRESI I LUSHNJES, TIRANE. | INXH. GEZIM ISLAMI   | INXH. GEZIM ISLAMI | TOP. KUJTIM CANAMETI | INXH. ERINDI GJOKA  | SHK 1:50    | 10 -07       |
|            |  |                                     |                      | HIDR. ANISA ZAKA   | ELEK. HAJDAR KURTI   | GJEO. SHKELZEN QOKA | TIRANE 2022 | FORMAT A3    |
|            |  |                                     |                      | INXH. ENDRI PIERO  | MEK. ARBEN MUHA      |                     |             |              |




# ARMIMI HORIZONTAL I MUREVE B.ARME NË KUOTAT B.A. NË KUOTAT -0.05 ~ +4.30

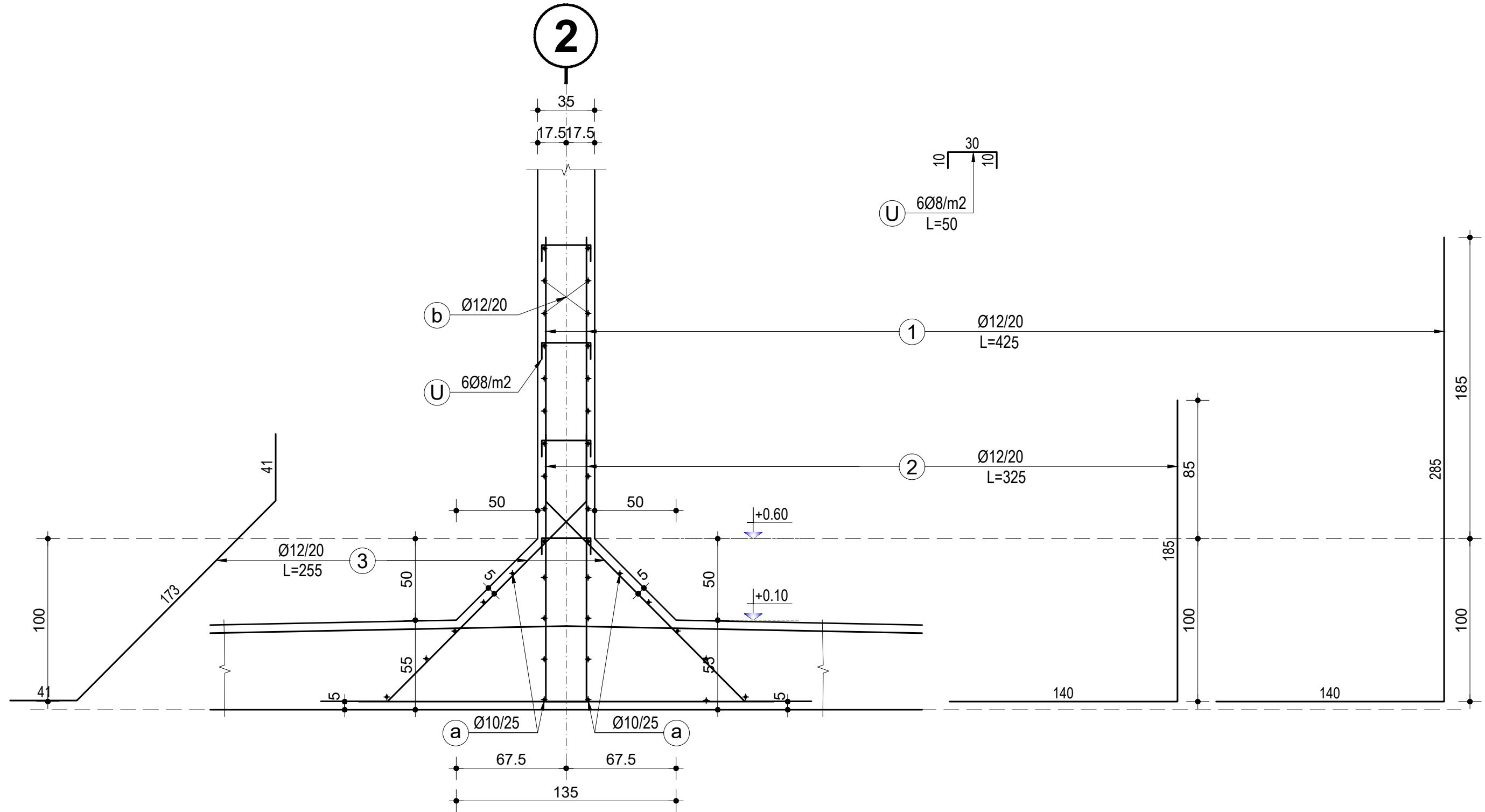


BETON C 25/30 ÇELIK S-500 (fyk>500MPa)


**SHENIM TEKNIK:**  
 1. SHUFRAT HORIZONTALE 1; 2; 3, TË VENDOSËN TË ALTERNUARA ME SHUFRAT HORIZONTALE 2; 1; 3; 1; 2. KËSHTU LARGËSIA MIDIS SHUFRAVE ËSHTË 20 cm.  
 2. SHUFRAT HORIZONTALE 4; 5, TË VENDOSËN TË ALTERNUARA ME SHUFRAT HORIZONTALE 5; 4. KËSHTU LARGËSIA MIDIS SHUFRAVE ËSHTË 20 cm.

|            |  |   |                              |                    |                      |                |                     |
|------------|--|---|------------------------------|--------------------|----------------------|----------------|---------------------|
| POROSITES: | <b>BASHKIA BULQIZE</b>   | <b>"ERALD - G" SH.P.K</b>   | <b>DREJTUES I PROJEKTTIT</b> | <b>PROJEKTUES</b>  |                      | <b>SHKALLA</b> | <b>NR. I FLETES</b> |
| OBJEKTI:   | "NDERTIM SISTEM KANALIZIMESH DHE IMPIANT TRAJTIMI TE UJERAVE TE NDOTURA NE QYTETIN BULQIZE E RE" |  RRUGA. KONGRESI I LUSHNYES, TIRANE. | INXH. GEZIM ISLAMI           | INXH. GEZIM ISLAMI | TOP. KUJTIM CANAMETI | SHK 1:75       | 10 -09              |
|            |  |   |                              | HIDR. ANISA ZAKA   | ELEK. HAJDAR KURTI   | TIRANE 2022    | FORMAT A3           |
|            |  |   |                              | INXH. ENDRI PIERO  | MEK. ARBEN MUHA      |                |                     |

# FITILAT E MURIT B.A. NË AKSIN 2

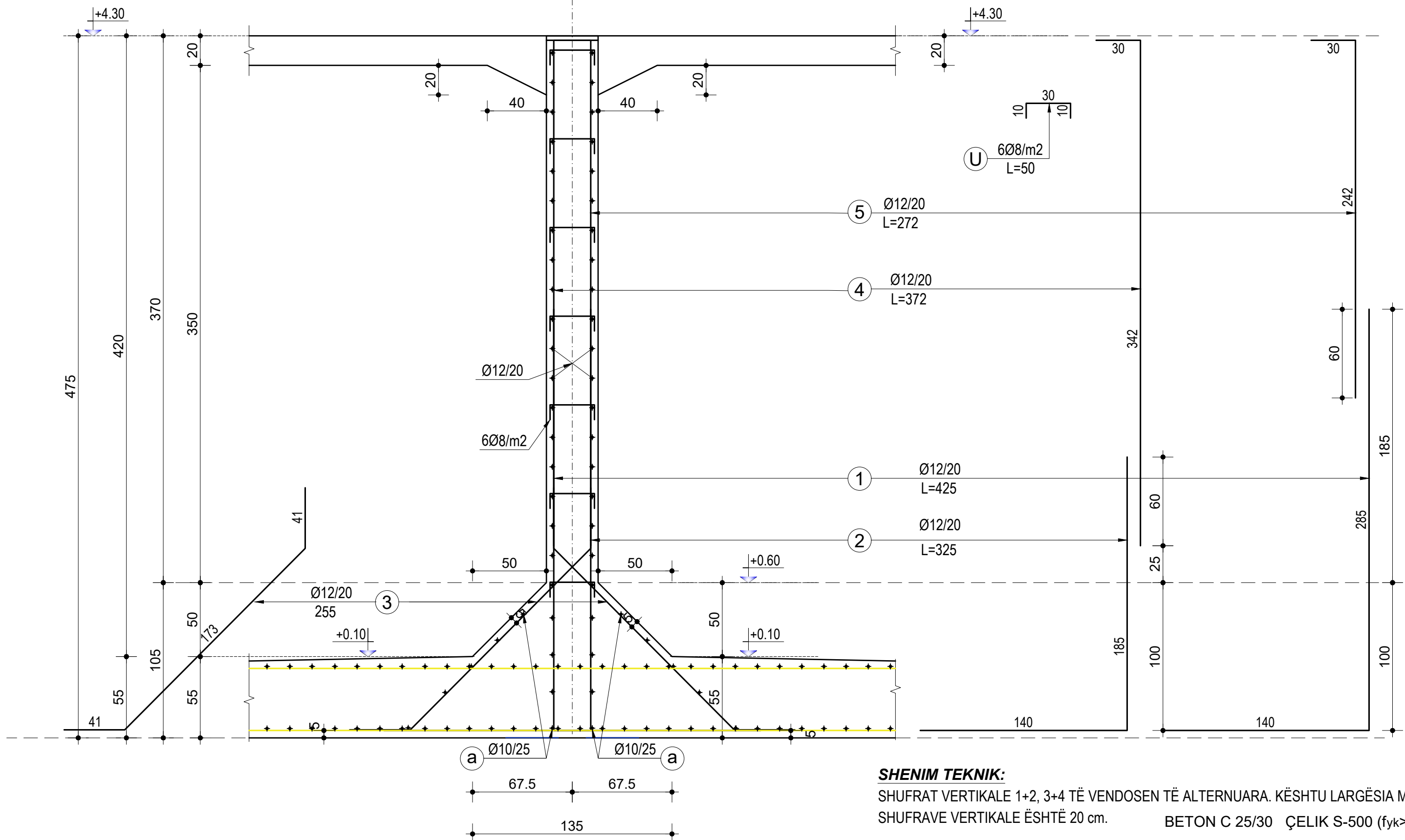


BETON C 25/30 ÇELIK S-500 ( $f_{yk} > 500\text{MPa}$ )

|            |  |   |                       |                    |                      |                     |             |              |
|------------|--|---|-----------------------|--------------------|----------------------|---------------------|-------------|--------------|
| POROSITES: | BASHKIA BULQIZE  | "ERALD - G" SH.P.K  | DREJTUES I PROJEKTTIT | PROJEKTUES         |                      |                     | SHKALLA     | NR. I FLETES |
| OBJEKTI:   | "NDERTIM SISTEM KANALIZIMESH DHE IMPIANT TRAJTIMI TE UJERAVE TE NDOTURA NE QYTETIN BULQIZE E RE" |  RRUGA. KONGRESI I LUSHNYES, TIRANE. | INXH. GEZIM ISLAMI    | INXH. GEZIM ISLAMI | TOP. KUJTIM CANAMETI | INXH. ERINDI GJOKA  | SHK 1:25    | 10 -10       |
|            |  |   |                       | HIDR. ANISA ZAKA   | ELEK. HAJDAR KURTI   | GJEO. SHKELZEN QOKA | TIRANE 2022 | FORMAT A3    |
|            |  |   |                       | INXH. ENDRI PIERO  | MEK. ARBEN MUHA      |                     |             |              |

2

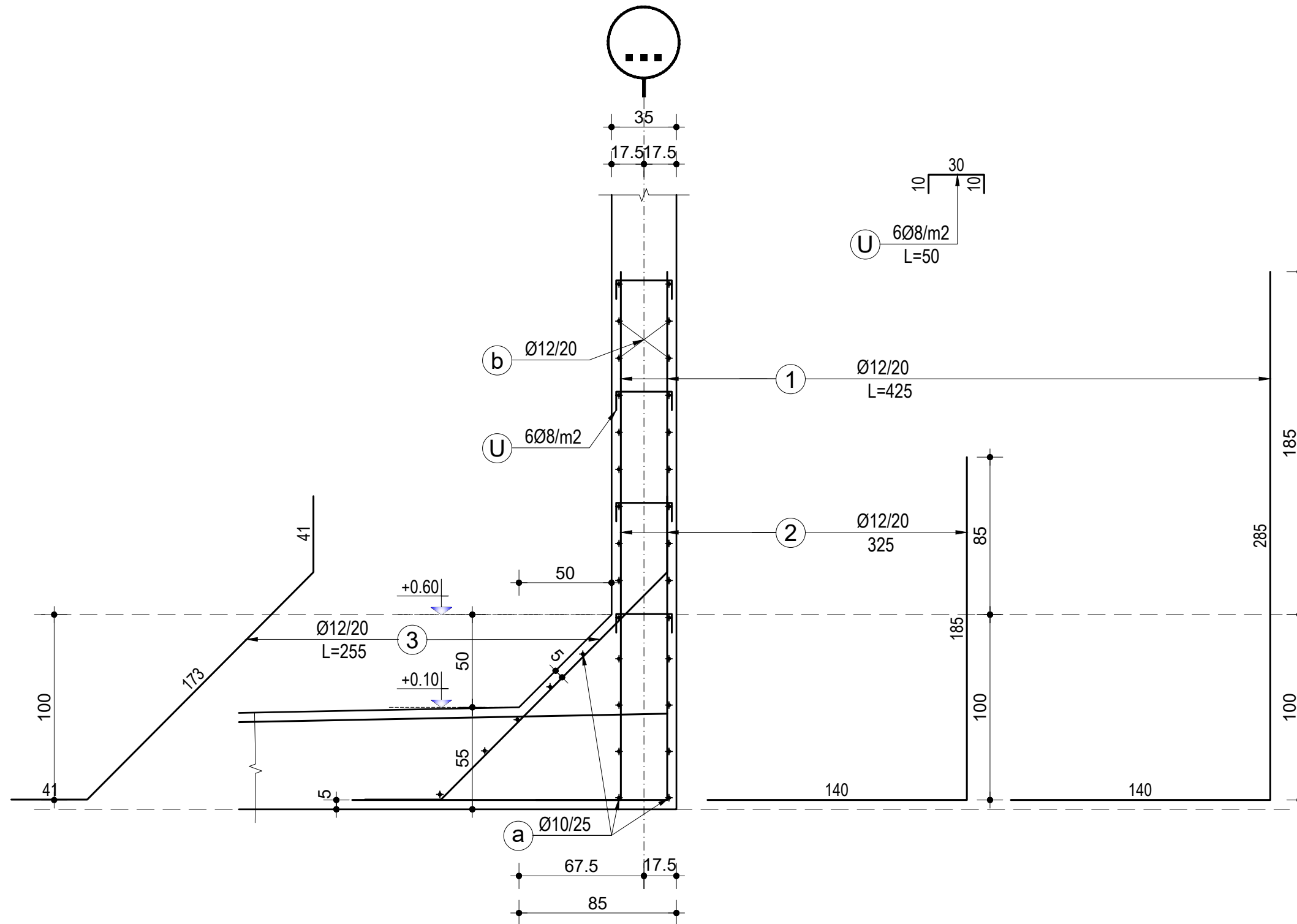
PRERJA b-b



**SHENIM TEKNIK:**  
 SHUFRA VERTIKALE 1+2, 3+4 TË VENDOSËN TË ALTERNUARA. KËSHTU LARGËSIA MIDIS SHUFRAVE VERTIKALE ËSHTË 20 cm. BETON C 25/30 ÇELIK S-500 (fyk>500MPa)

|            |  |                                     |                      |                    |                      |             |              |
|------------|--|-------------------------------------|----------------------|--------------------|----------------------|-------------|--------------|
| POROSITES: | BASHKIA BULQIZE  | "ERALD - G" SH.P.K                  | DREJTUES I PROJEKTIT | PROJEKTUES         |                      | SHKALLA     | NR. I FLETES |
| OBJEKTI:   | "NDERTIM SISTEM KANALIZIMESH DHE IMPIANT TRAJTIMI TE UJERAVE TE NDOTURA NE QYTETIN BULQIZE E RE" | RRUGA. KONGRESI I LUSHNYES, TIRANE. | INXH. GEZIM ISLAMI   | INXH. GEZIM ISLAMI | TOP. KUJTIM CANAMETI | SHK 1:25    | 10-11        |
|            |  |                                     |                      | HIDR. ANISA ZAKA   | ELEK. HAJDAR KURTI   | TIRANE 2022 | FORMAT A3    |
|            |  |                                     |                      | INXH. ENDRI PIERO  | MEK. ARBEN MUHA      |             |              |

# FITILAT NË MURIN B.A. PERIMETRAL

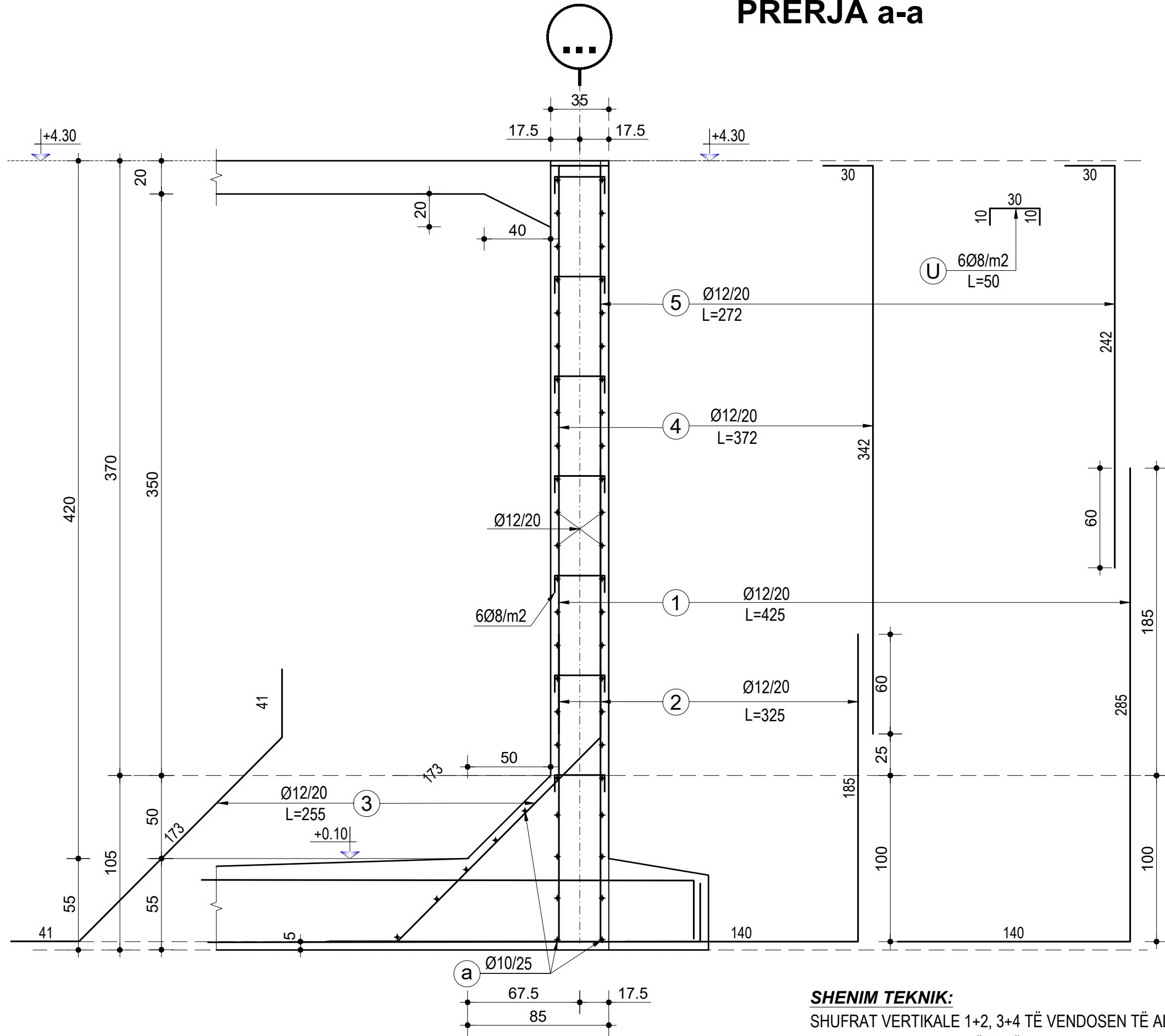


BETON C 25/30 ÇELIK S-500 (fyk>500MPa)

|            |  |                                     |                       |                    |                      |                     |             |              |
|------------|--|-------------------------------------|-----------------------|--------------------|----------------------|---------------------|-------------|--------------|
| POROSITES: | <b>BASHKIA BULQIZE</b>   | <b>"ERALD - G" SH.P.K</b>           | DREJTUES I PROJEKTTIT | PROJEKTUES         |                      |                     | SHKALLA     | NR. I FLETES |
| OBJEKTI:   | "NDERTIM SISTEM KANALIZIMESH DHE IMPIANT TRAJTIMI TE UJERAVE TE NDOTURA NE QYTETIN BULQIZE E RE" | RRUGA. KONGRESI I LUSHNYES, TIRANE. | INXH. GEZIM ISLAMI    | INXH. GEZIM ISLAMI | TOP. KUJTIM CANAMETI | INXH. ERINDI GJOKA  | SHK 1:25    | 10-12        |
|            |  |                                     |                       | HIDR. ANISA ZAKA   | ELEK. HAJDAR KURTI   | GJEO. SHKELZEN QOKA |             |              |
|            |  |                                     |                       | INXH. ENDRI PIERO  | MEK. ARBEN MUHA      |                     |             |              |
|            |  |                                     |                       |                    |                      |                     | TIRANE 2022 | FORMAT A3    |



# PRERJA a-a

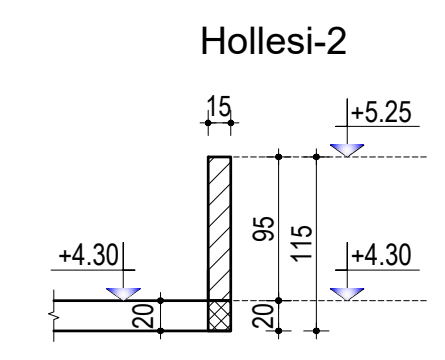
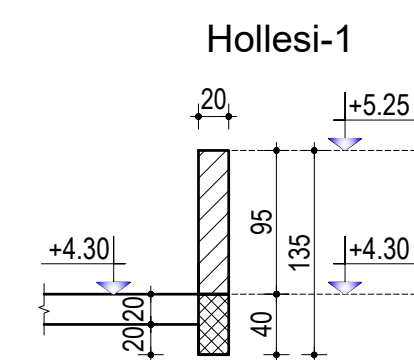
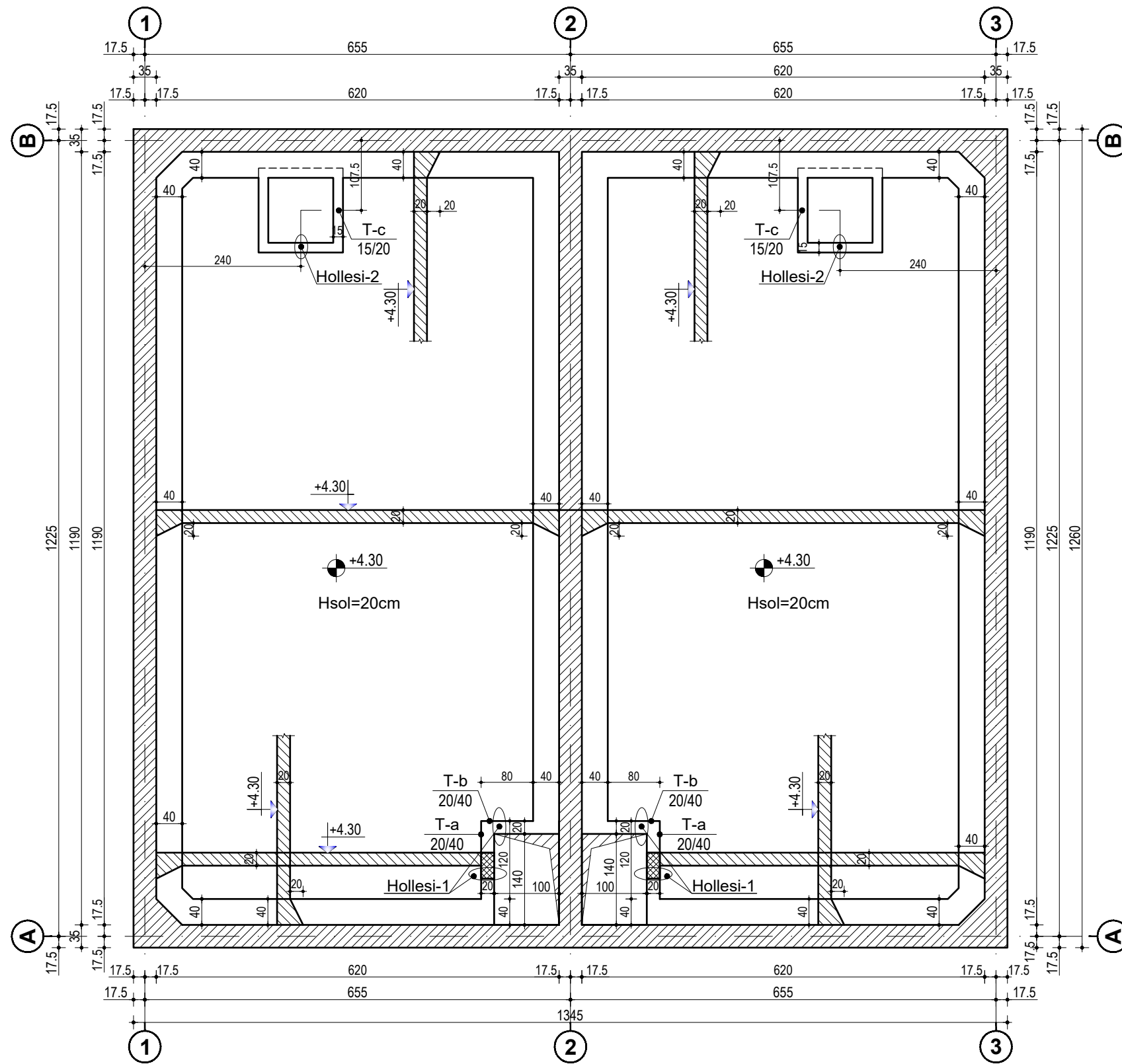


### SHENIM TEKNIK:

SHUFRAT VERTIKALE 1+2, 3+4 TË VENDOSËN TË ALTERNUARA. KËSHTU LARGËSIA MIDIS SHUFRAVE VERTIKALE ËSHTË 20 cm. BETON C 25/30 ÇELIK S-500 ( $f_{yk} > 500 \text{ MPa}$ )

|            |  |                                     |                             |                    |                      |                     |                |                     |
|------------|--|-------------------------------------|-----------------------------|--------------------|----------------------|---------------------|----------------|---------------------|
| POROSITES: | <b>BASHKIA BULQIZE</b>   | <b>"ERALD - G" SH.P.K</b>           | <b>DREJTUES I PROJEKTIT</b> | <b>PROJEKTUES</b>  |                      |                     | <b>SHKALLA</b> | <b>NR. I FLETES</b> |
| OBJEKTI:   | "NDERTIM SISTEM KANALIZIMESH DHE IMPIANT TRAJTIMI TE UJERAVE TE NDOTURA NE QYTETIN BULQIZE E RE" | RRUGA. KONGRESI I LUSHNYES, TIRANE. | INXH. GEZIM ISLAMI          | INXH. GEZIM ISLAMI | TOP. KUJTIM CANAMETI | INXH. ERINDI GJOKA  | SHK 1:25       | 10-13               |
|            |  |                                     |                             | HIDR. ANISA ZAKA   | ELEK. HAJDAR KURTI   | GJEO. SHKELZEN QOKA | TIRANE 2022    | FORMAT A3           |
|            |  |                                     |                             | INXH. ENDRI PIERO  | MEK. ARBEN MUHA      |                     |                |                     |

# PLANI I STRUKTURAVE NË KUOTËN +4.30



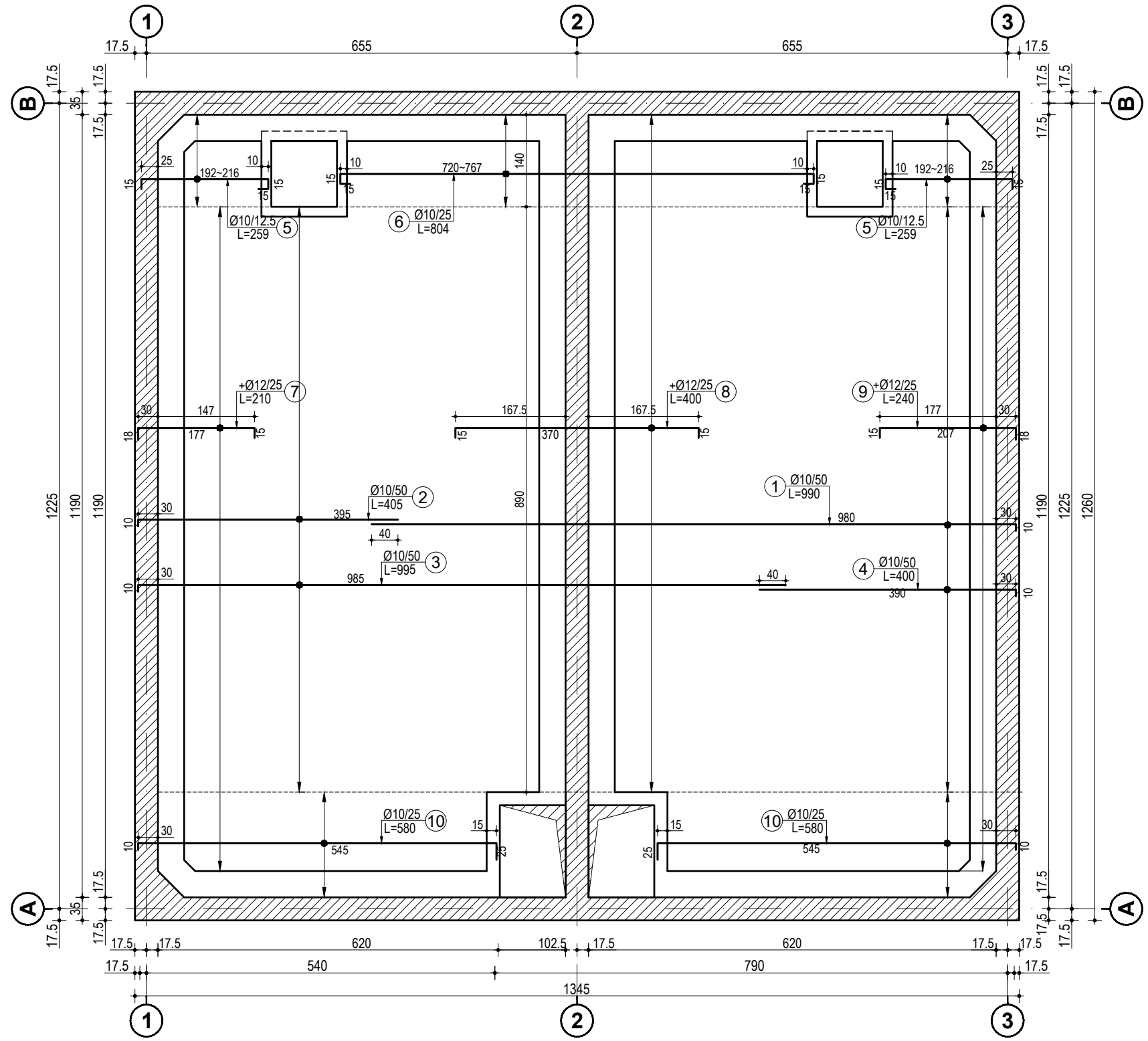
BETON C 25/30 ÇELIK S-500 ( $f_{yk} > 500 \text{MPa}$ )

|            |  |   |                             |                    |                      |                     |                |                     |
|------------|--|---|-----------------------------|--------------------|----------------------|---------------------|----------------|---------------------|
| POROSITES: | <b>BASHKIA BULQIZE</b>   | <b>"ERALD - G" SH.P.K</b>   | <b>DREJTUES I PROJEKTIT</b> | <b>PROJEKTUES</b>  |                      |                     | <b>SHKALLA</b> | <b>NR. I FLETES</b> |
| OBJEKTI:   | "NDERTIM SISTEM KANALIZIMESH DHE IMPIANT TRAJTIMI TE UJERAVE TE NDOTURA NE QYTETIN BULQIZE E RE" |  RRUGA. KONGRESI I LUSHNYES, TIRANE. | INXH. GEZIM ISLAMI          | INXH. GEZIM ISLAMI | TOP. KUJTIM CANAMETI | INXH. ERINDI GJOKA  | SHK 1:75       | 10-14               |
|            |  |   |                             | HIDR. ANISA ZAKA   | ELEK. HAJDAR KURTI   | GJEO. SHKELZEN QOKA | TIRANE 2022    | FORMAT A3           |
|            |  |   |                             | INXH. ENDRI PIERO  | MEK. ARBEN MUHA      |                     |                |                     |





## PLANI I ARMIMIT TË SOLETËS NË KUOTËN +4.30 ZGARA E SIPËRME (DREJTIMI SIPAS AKSIT A)

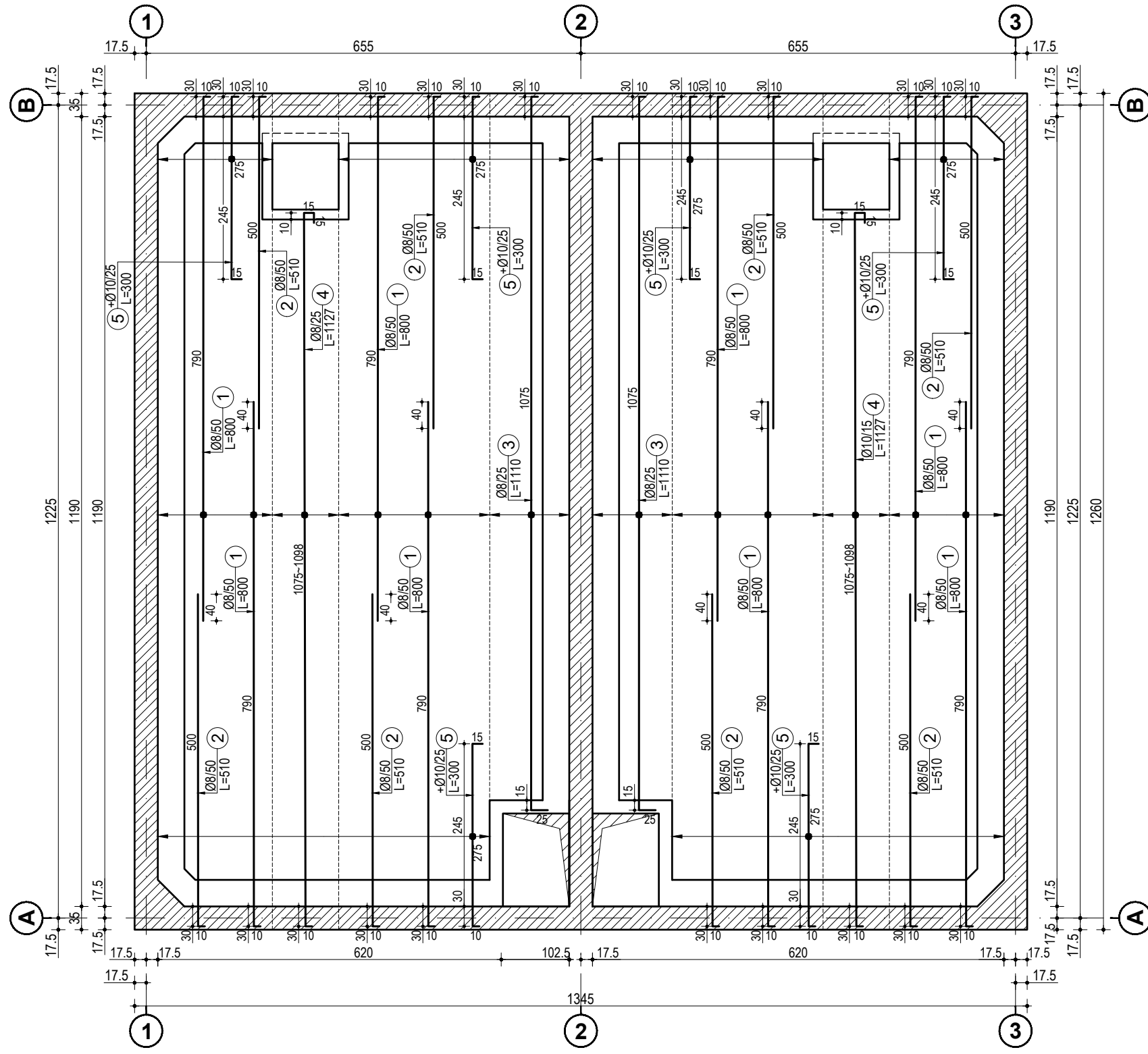


## PLANI I ARMIMIT TË SOLETËS NË KUOTËN +4.30 ZGARA E SIPËRME (DREJTIMI SIPAS AKSIT 1)

BETON C 25/30 ÇELIK S-500 ( $f_{yk} > 500\text{MPa}$ )

|            |  |                                     |                       |                    |                      |             |              |
|------------|--|-------------------------------------|-----------------------|--------------------|----------------------|-------------|--------------|
| POROSITES: | BASHKIA BULQIZE  | "ERALD - G" SH.P.K                  | DREJTUES I PROJEKTTIT | PROJEKTUES         |                      | SHKALLA     | NR. I FLETES |
| OBJEKTI:   | "NDERTIM SISTEM KANALIZIMESH DHE IMPIANT TRAJTIMI TE UJERAVE TE NDOTURA NE QYTETIN BULQIZE E RE" | RRUGA. KONGRESI I LUSHNJES, TIRANE. | INXH. GEZIM ISLAMI    | INXH. GEZIM ISLAMI | TOP. KUJTIM CANAMETI | SHK 1:75    | 10-17        |
|            |  |                                     |                       | HIDR. ANISA ZAKA   | ELEK. HAJDAR KURTI   | TIRANE 2022 | FORMAT A3    |
|            |  |                                     |                       | INXH. ENDRI PIERO  | MEK. ARBEN MUHA      |             |              |

# PLANI I ARMIMIT TË SOLETËS NË KUOTËN +4.30 ZGARA E SIPËRME (DREJTIMI SIPAS AKSIT 1)



BETON C 25/30 ÇELIK S-500 ( $f_{yk} > 500\text{MPa}$ )

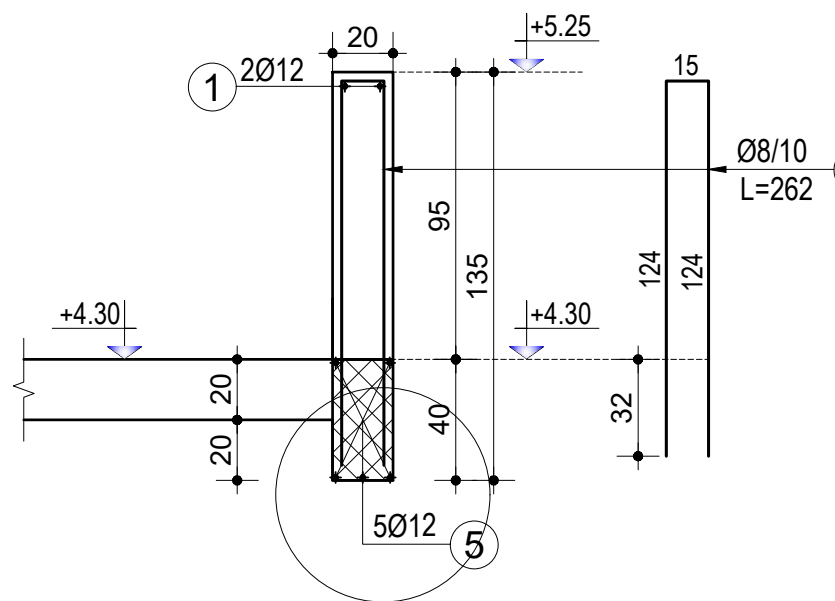
|            |  |                                     |                       |   |   |              |       |
|------------|--|-------------------------------------|-----------------------|---|---|--------------|-------|
| POROSITES: | BASHKIA BULQIZE  | "ERALD - G" SH.P.K                  | DREJTUES I PROJEKTTIT | PROJEKTUES  | SHKALLA   | NR. I FLETES |       |
| OBJEKTI:   | "NDERTIM SISTEM KANALIZIMESH DHE IMPIANT TRAJTIMI TE UJERAVE TE NDOTURA NE QYTETIN BULQIZE E RE" | RRUGA. KONGRESI I LUSHNYES, TIRANE. | INXH. GEZIM ISLAMI    | INXH. GEZIM ISLAMI<br>HIDR. ANISA ZAKA<br>INXH. ENDRI PIERO | TOP. KUJTIM CANAMETI<br>ELEK. HAJDAR KURTI<br>MEK. ARBEN MUHA | SHK 1:75     | 10-18 |
|            |  |                                     |                       |   | TIRANE 2022   | FORMAT A3    |       |

| ELEMENTI  |      | SPECIFIKIMI ARMATURES |    |       |       |       | ARMATURA PER 1 ELEMENT |         |       |          | PESHA           |
|---|------|-----------------------|----|-------|-------|-------|------------------------|---------|-------|----------|-----------------|
| LLOJI   | COPE | Nr.                   | Ø  | L(cm) | SASIA | L(ml) | Ø                      | L(ml)   | P.spc | PESHA    | TOTALE kg.      |
| <b>Llogaritjet e bazamentit</b>                   |      |                       |    |       |       |       |                        |         |       |          |                 |
| Armimi i bazamentit Sipas Aksit A,Zgara e poshtme | 1    | 1                     | 12 | 1200  | 78    | 936   | 12                     | 1596.42 | 0.888 | 1,417.28 | <b>5641.8</b>   |
|   |      | 2                     | 12 | 395   | 78    | 308.1 |                        |         |       |          |                 |
|   |      | 3                     | 12 | 600   | 32    | 192   |                        |         |       |          |                 |
|   |      | 4                     | 12 | 406   | 32    | 129.9 |                        |         |       |          |                 |
|   |      | 5                     | 12 | 190   | 16    | 30.4  |                        |         |       |          |                 |
| Armimi i bazamentit Sipas Aksit A,Zgara e Sipërme | 1    | 1                     | 12 | 1200  | 78    | 936   | 12                     | 1594.50 | 0.888 | 1,415.58 |                 |
|   |      | 2                     | 12 | 395   | 78    | 308.1 |                        |         |       |          |                 |
|   |      | 3                     | 12 | 690   | 32    | 220.8 |                        |         |       |          |                 |
|   |      | 4                     | 12 | 200   | 32    | 64    |                        |         |       |          |                 |
|   |      | 5                     | 12 | 410   | 16    | 65.6  |                        |         |       |          |                 |
| Armimi i bazamentit Sipas Aksit 1,Zgara e poshtme | 1    | 1                     | 12 | 1200  | 77    | 924   | 12                     | 1585.58 | 0.888 | 1,407.66 |                 |
|   |      | 2                     | 12 | 310   | 77    | 238.7 |                        |         |       |          |                 |
|   |      | 3                     | 12 | 1110  | 24    | 266.4 |                        |         |       |          |                 |
|   |      | 4                     | 12 | 454   | 24    | 109   |                        |         |       |          |                 |
|   |      | 5                     | 12 | 198   | 24    | 47.52 |                        |         |       |          |                 |
| Armimi i bazamentit Sipas Aksit 1,Zgara e Sipërme | 1    | 1                     | 12 | 1200  | 77    | 924   | 12                     | 1578.38 | 0.888 | 1,401.27 |                 |
|   |      | 2                     | 12 | 310   | 77    | 238.7 |                        |         |       |          |                 |
|   |      | 3                     | 12 | 1200  | 24    | 288   |                        |         |       |          |                 |
|   |      | 4                     | 12 | 245   | 24    | 58.8  |                        |         |       |          |                 |
|   |      | 5                     | 12 | 287   | 24    | 68.88 |                        |         |       |          |                 |
| Hekur Betoni ø>10mm ne Bazament                   |      |                       |    |       |       |       |                        |         |       | 5,641.79 |                 |
|   |      |                       |    |       |       |       |                        |         |       | SHUMA 1  | <b>5,641.79</b> |

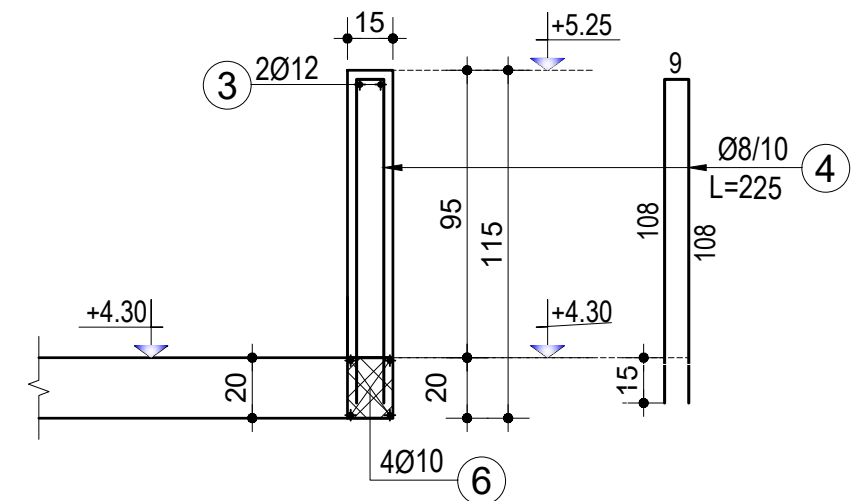
|   |   |    |    |      |      |       |    |         |       |           |                  |
|---|---|----|----|------|------|-------|----|---------|-------|-----------|------------------|
| <b>Armimi i mureve dhe vutave</b>                   |   |    |    |      |      |       |    |         |       |           |                  |
| Armimi vertikal i mureve b/a ne kuotat +0.6++4.30   | 1 | 1  | 12 | 425  | 642  | 2729  | 8  | 570.00  | 0.395 | 224.91    | <b>12,440.8</b>  |
|   |   | 2  | 12 | 325  | 642  | 2087  | 12 | 9928.68 | 0.888 | 8,814.56  |                  |
|   |   | 3  | 12 | 255  | 384  | 979.2 |    |         |       |           |                  |
|   |   | 4  | 12 | 372  | 642  | 2388  |    |         |       |           |                  |
|   |   | 5  | 12 | 272  | 642  | 1746  |    |         |       |           |                  |
|   |   | U  | 8  | 50   | 1140 | 570   |    |         |       |           |                  |
| Armimi horizontal i mureve b/a ne kuotat +0.6++4.30 | 1 | 1  | 12 | 1200 | 40   | 480   | 12 | 3051.32 | 0.888 | 2,708.92  |                  |
|   |   | 2  | 12 | 1200 | 40   | 480   |    |         |       |           |                  |
|   |   | 3  | 12 | 1200 | 20   | 240   |    |         |       |           |                  |
|   |   | 4  | 12 | 1200 | 40   | 480   |    |         |       |           |                  |
|   |   | 4  | 12 | 1200 | 38   | 456   |    |         |       |           |                  |
|   |   | 5  | 12 | 172  | 40   | 68.8  |    |         |       |           |                  |
|   |   | 5  | 12 | 172  | 38   | 65.36 |    |         |       |           |                  |
| Amimi i Vutave te brendshme -0.45 + +0.60           | 1 | 8  | 10 | 1200 | 20   | 240   | 10 | 1123.10 | 0.617 | 692.41    |                  |
|   |   | 8' | 10 | 172  | 20   | 34.4  |    |         |       |           |                  |
|   |   | 9  | 10 | 1200 | 30   | 360   |    |         |       |           |                  |
|   |   | 9' | 10 | 172  | 30   | 51.6  |    |         |       |           |                  |
|   |   | 10 | 10 | 1200 | 30   | 360   |    |         |       |           |                  |
| Hekur Betoni ø6+10mm                                |   |    |    |      |      |       |    |         |       | 917.32    |                  |
| Hekur Betoni ø>10mm                                 |   |    |    |      |      |       |    |         |       | 11,523.49 |                  |
|   |   |    |    |      |      |       |    |         |       | SHUMA 2   | <b>12,440.81</b> |

|  |   |    |    |      |     |       |    |         |       |                  |                  |
|--|---|----|----|------|-----|-------|----|---------|-------|------------------|------------------|
| <b>Armimi i Soletes</b>  |   |    |    |      |     |       |    |         |       |                  |                  |
| PLAN I ARMIMIT TE SOLETES NE KUOTEN +4.30 ZGARA E POSHTME (DREJTIMI SIPAS AKSIT A) | 1 | 1  | 12 | 692  | 120 | 830.4 | 10 | 244.20  | 0.617 | 150.55           | <b>3,178.0</b>   |
|  |   | 2  | 12 | 572  | 22  | 125.8 | 12 | 1087.84 | 0.888 | 965.77           |                  |
|  |   | 3  | 12 | 241  | 20  | 48.2  |    |         |       |                  |                  |
|  |   | 4  | 12 | 417  | 20  | 83.4  |    |         |       |                  |                  |
|  |   | 5  | 10 | 165  | 148 | 244.2 |    |         |       |                  |                  |
| PLAN I ARMIMIT TE SOLETES NE KUOTEN +4.30 ZGARA E SIPERME (DREJTIMI SIPAS AKSIT A) | 1 | 1  | 10 | 990  | 18  | 178.2 | 10 | 693.80  | 0.617 | 427.74           |                  |
|  |   | 2  | 10 | 405  | 18  | 72.9  | 12 | 352.50  | 0.888 | 312.95           |                  |
|  |   | 3  | 10 | 995  | 18  | 179.1 |    |         |       |                  |                  |
|  |   | 4  | 10 | 400  | 18  | 72.00 |    |         |       |                  |                  |
|  |   | 5  | 10 | 259  | 24  | 62.16 |    |         |       |                  |                  |
|  |   | 6  | 10 | 804  | 6   | 48.24 |    |         |       |                  |                  |
|  |   | 7  | 12 | 210  | 41  | 86.1  |    |         |       |                  |                  |
|  |   | 8  | 12 | 400  | 42  | 168   |    |         |       |                  |                  |
|  |   | 9  | 12 | 240  | 41  | 98.4  |    |         |       |                  |                  |
|  |   | 10 | 10 | 580  | 14  | 81.2  |    |         |       |                  |                  |
| PLAN I ARMIMIT TE SOLETES NE KUOTEN +4.30 ZGARA E POSHTME (DREJTIMI SIPAS AKSIT 1) | 1 | 1  | 10 | 1200 | 56  | 672   | 10 | 1094.82 | 0.617 | 674.98           |                  |
|  |   | 2  | 10 | 90   | 56  | 50.4  |    |         |       |                  |                  |
|  |   | 3  | 10 | 1085 | 18  | 195.3 |    |         |       |                  |                  |
|  |   | 4  | 10 | 1107 | 16  | 177.1 |    |         |       |                  |                  |
| PLAN I ARMIMIT TE SOLETES NE KUOTEN +4.30 ZGARA E SIPERME (DREJTIMI SIPAS AKSIT 1) | 1 | 1  | 8  | 800  | 36  | 288   | 8  | 717.50  | 0.395 | 283.11           |                  |
|  |   | 2  | 8  | 510  | 36  | 183.6 | 10 | 264.00  | 0.617 | 162.76           |                  |
|  |   | 3  | 8  | 1110 | 12  | 133.2 |    |         |       |                  |                  |
|  |   | 4  | 8  | 1127 | 10  | 112.7 |    |         |       |                  |                  |
|  |   | 5  | 10 | 300  | 88  | 264   |    |         |       |                  |                  |
| Armimi i Hollësive 1 dhe 2   | 1 | 1  | 12 | 540  | 2   | 10.8  | 8  | 321.48  | 0.395 | 126.85           |                  |
|  |   | 2  | 8  | 262  | 54  | 141.5 | 10 | 37.44   | 0.617 | 23.08            |                  |
|  |   | 3  | 12 | 468  | 4   | 18.72 | 12 | 56.52   | 0.888 | 50.18            |                  |
|  |   | 4  | 8  | 225  | 80  | 180   |    |         |       |                  |                  |
|  |   | 5  | 12 | 540  | 5   | 27    |    |         |       |                  |                  |
|  |   | 6  | 10 | 468  | 8   | 37.44 |    |         |       |                  |                  |
| Hekur Betoni ø6+10mm   |   |    |    |      |     |       |    |         |       | 1,849.07         |                  |
| Hekur Betoni ø>10mm  |   |    |    |      |     |       |    |         |       | 1,328.89         |                  |
|  |   |    |    |      |     |       |    |         |       | SHUMA 3          | <b>3,177.96</b>  |
| <b>Hekuri total i Depos 500 m3</b>   |   |    |    |      |     |       |    |         |       |                  |                  |
| <b>Hekur Betoni ø6+10mm</b>  |   |    |    |      |     |       |    |         |       | <b>2,766.39</b>  | <b>21,260.6</b>  |
| <b>Hekur Betoni ø&gt;10mm</b>  |   |    |    |      |     |       |    |         |       | <b>18,494.17</b> |                  |
|  |   |    |    |      |     |       |    |         |       | SHUMA (1+2+3)    | <b>21,260.56</b> |

### Armimi i Hollësisë-1



### Armimi i Hollësisë-2



BETON C 25/30 ÇELIK S-500 (fyk>500MPa)

|            |   |                                     |                            |   |   |                         |                    |
|------------|---|-------------------------------------|----------------------------|---|---|-------------------------|--------------------|
| POROSITES: | <b>BASHKIA BULQIZE</b>  | <b>"ERALD - G" SH.P.K</b>           | <b>DREJTUES I PROJEKTI</b> | <b>PROJEKTUES</b>   | <b>SHKALLA</b>  | <b>NR. I FLETES</b>     |                    |
| OBJEKTI:   | <b>"NDERTIM SISTEM KANALIZIMESH DHE IMPIANT TRAJTIMI TE UJERAVE TE NDOTURA NE QYTETIN BULQIZE E RE"</b> | RRUGA. KONGRESI I LUSHNYES, TIRANE. | INXH. GEZIM ISLAMI         | INXH. GEZIM ISLAMI<br>HIDR. ANISA ZAKA<br>INXH. ENDRI PIERO | TOP. KUJTIM CANAMETI<br>ELEK. HAJDAR KURTI<br>MEK. ARBEN MUHA | SHK 1:75<br>TIRANE 2022 | 10-19<br>FORMAT A3 |

# DETAJE

**OBJEKTI**

**NDËRTIM SISTEM KANALIZIMESH DHE IMPIANT TRAJTIMI  
TË UJËRAVE TË NDOTURA NË QYTETIN BULQIZË E RE**

**AUTORITETI  
KONTRAKTOR**

**BASHKIA BULQIZË**

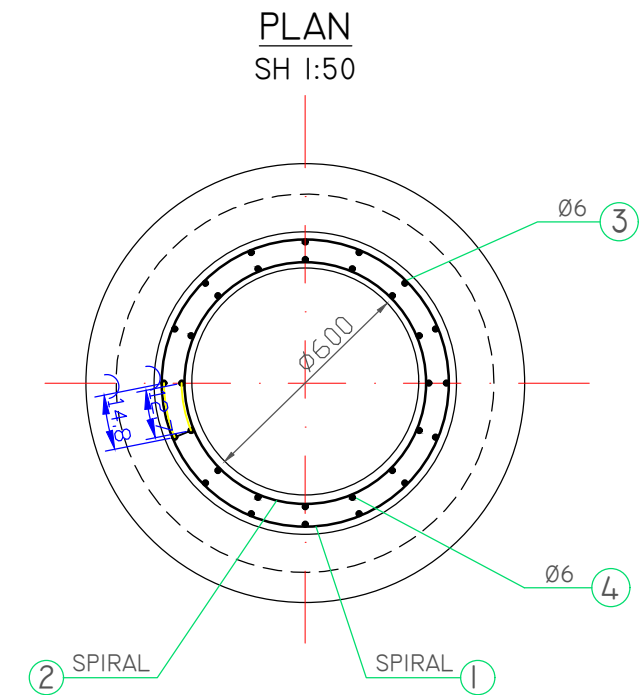
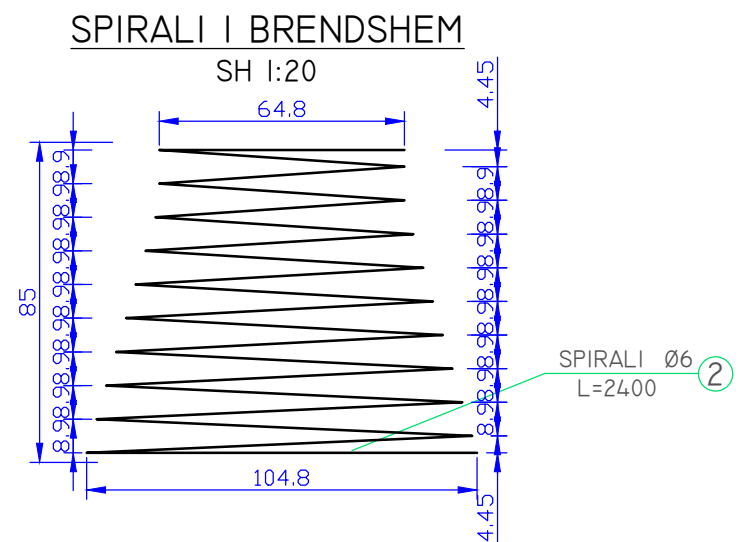
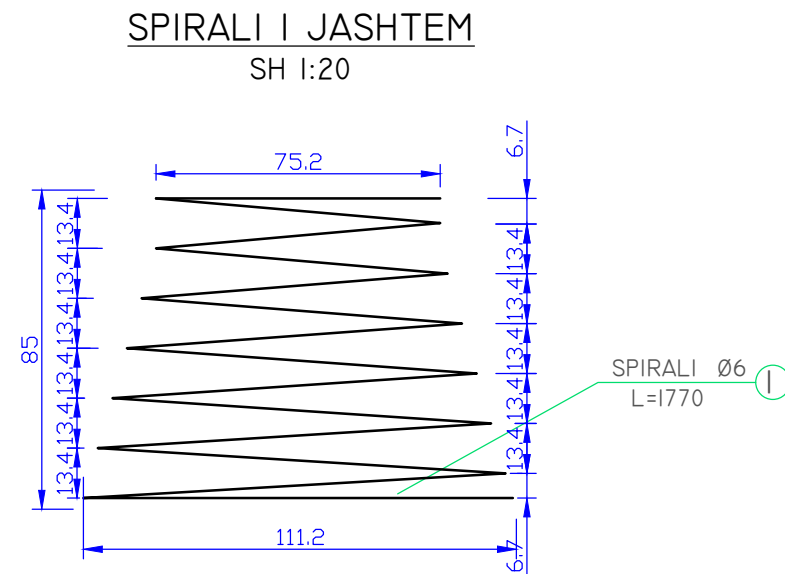
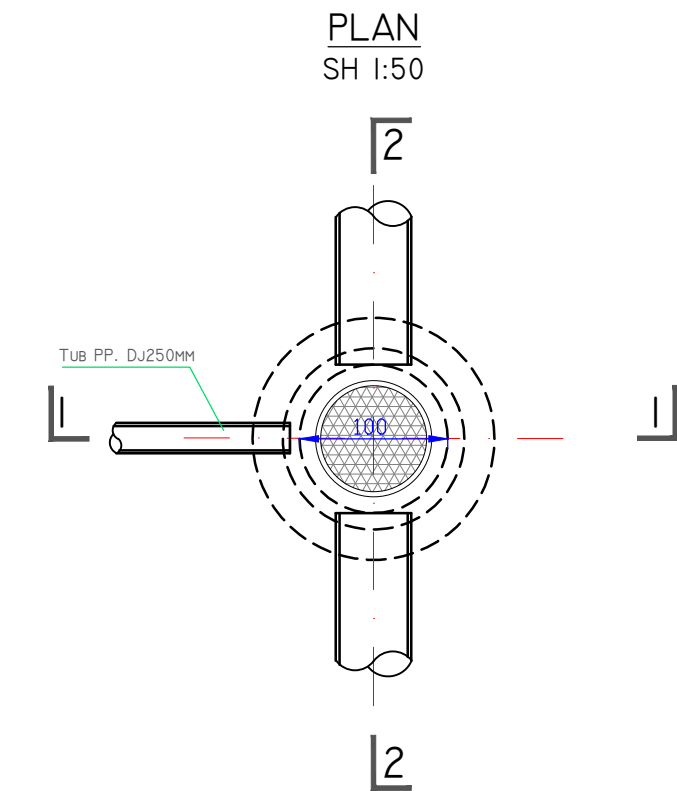
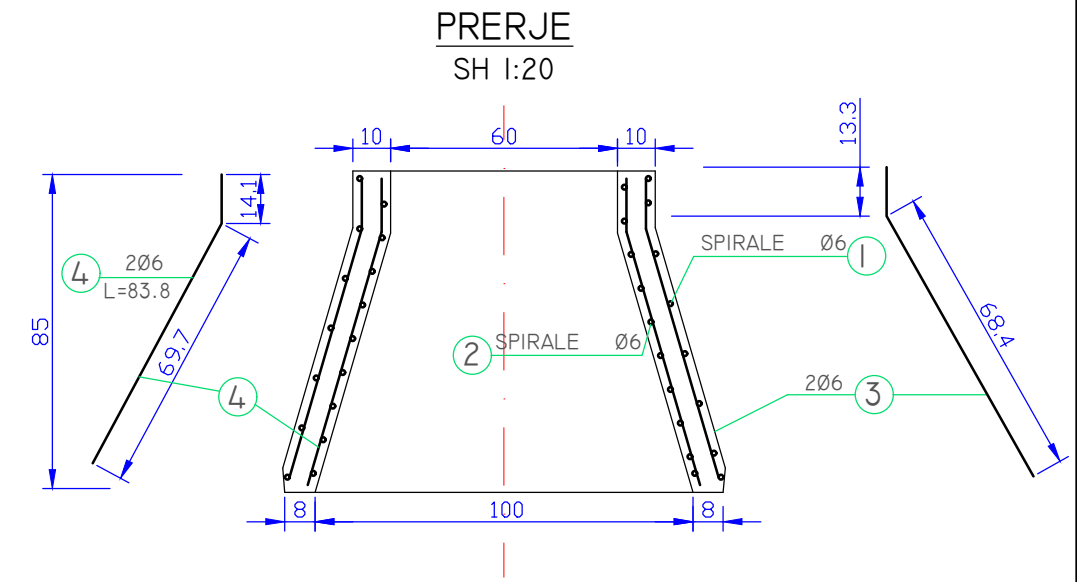
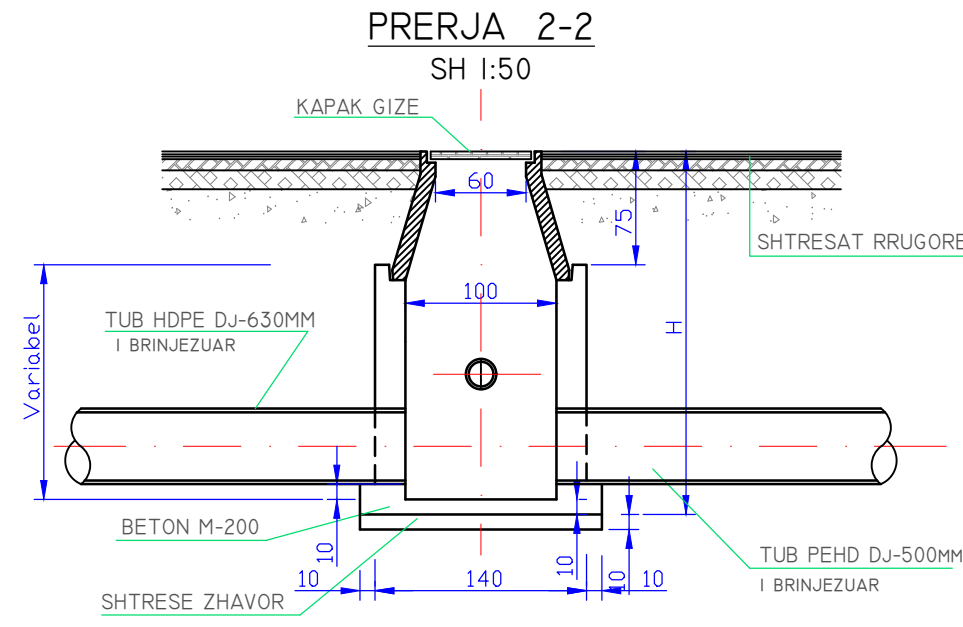
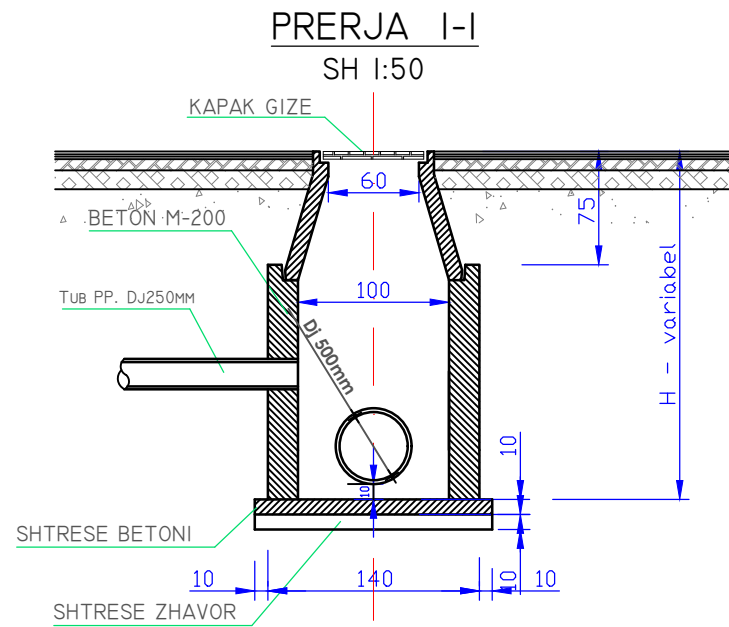
**KONSULENTI**

**“ERALD-G” Shpk**

**VITI 2022**

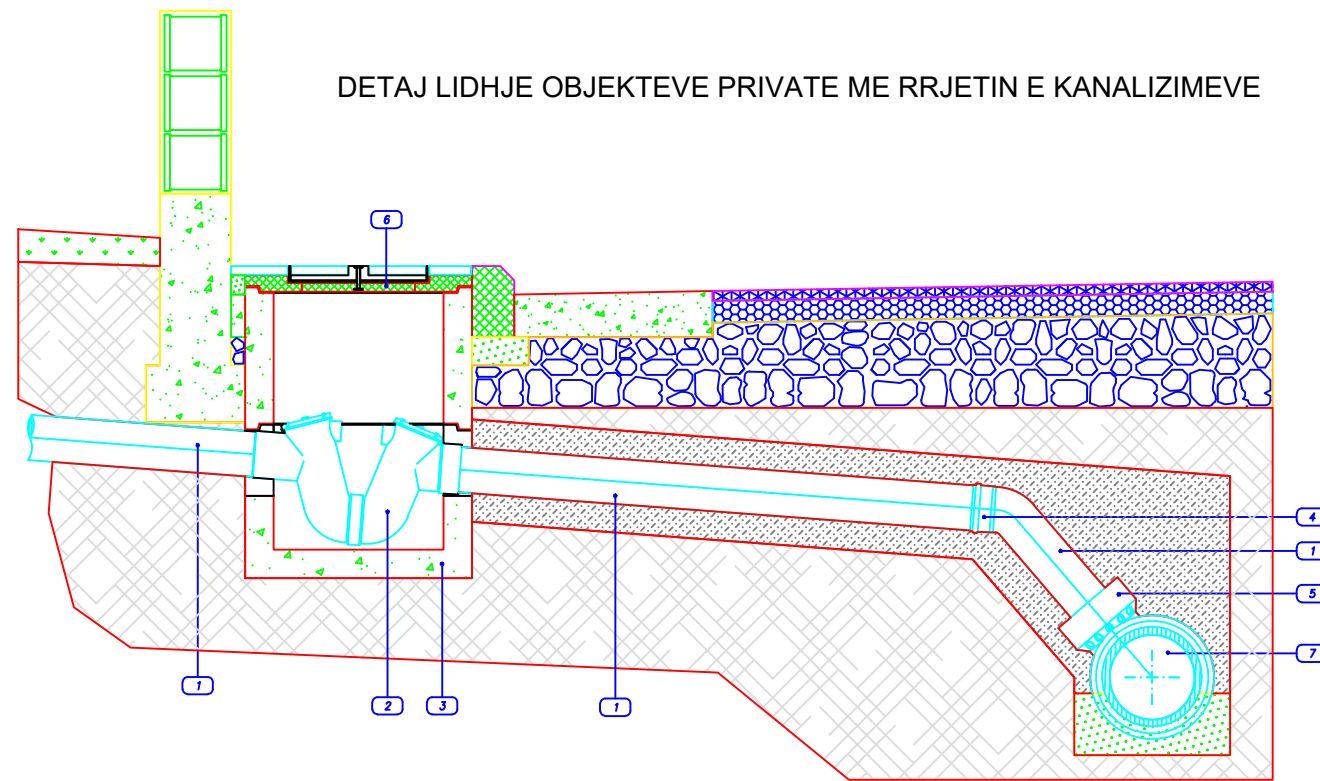


DETAJ I LIDHJES SE TUBACIONIT NE DALJE TE OBJEKTIT ME RRJETIN PUBLIK TE KANALIZIMEVE

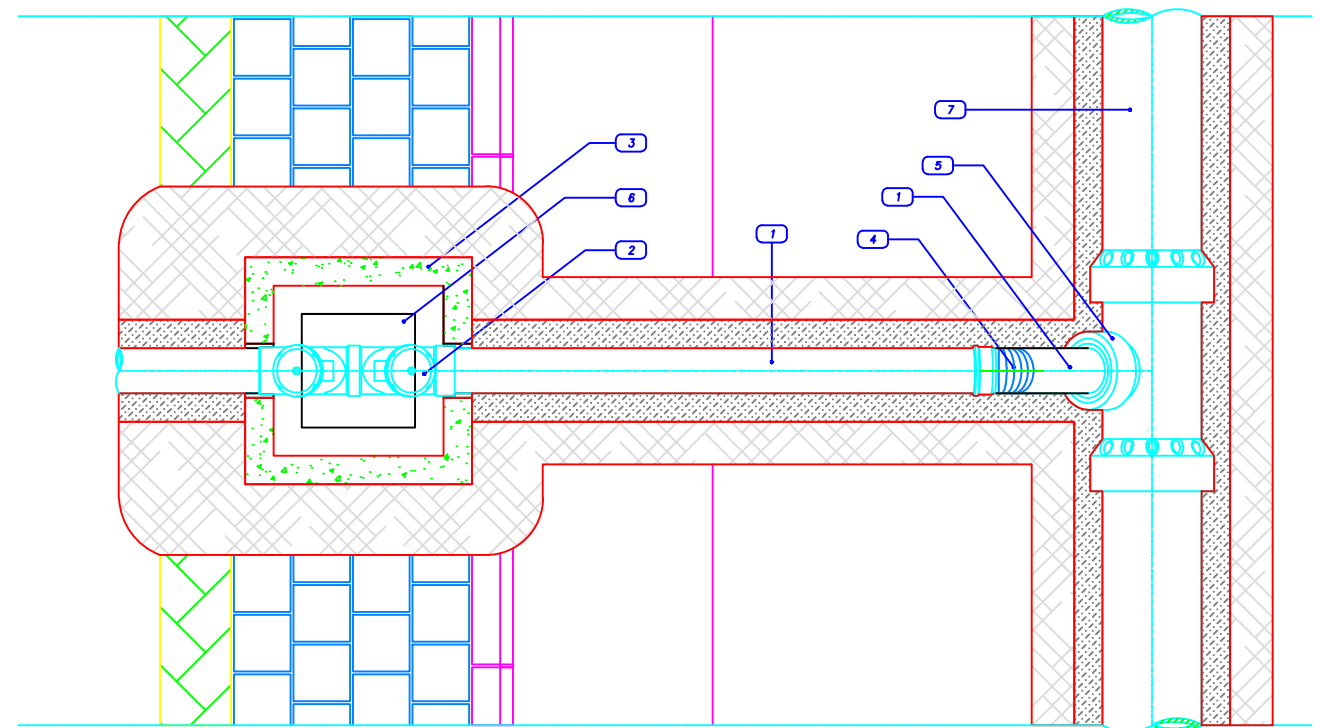


|            |  |  |   |                    |                      |                    |                                   |                              |
|------------|--|--|---|--------------------|----------------------|--------------------|-----------------------------------|------------------------------|
| POROSITES: | <b>BASHKIA BULQIZE</b>   | <b>"ERALD - G" SH.P.K</b><br>RRUGA:<br>KONGRESI I LUSHNJES,<br>TIRANE. | <b>DREJTUES I PROJEKTIT</b><br>INXH. GEZIM ISLAMI | <b>PROJEKTUES</b>  |                      |                    | <b>SHKALLA</b><br>SH: 1:20 / 1:50 | <b>NR. I FLETES</b><br>11-01 |
| OBJEKTI:   | "NDERTIM SISTEM KANALIZIMESH DHE IMPIANT TRAJTIMI TE UJERAVE TE NDOTURA NE QYTETIN BULQIZE E RE" |  |   | INXH. GEZIM ISLAMI | TOP. KUJTIM CANAMETI | INXH. ERINDI GJOKA |                                   |                              |
|            |  |  | HIDR. ANISA ZAKA                                  | ELEK. HAJDAR KURTI | GJEO. SHKELZEN QOKA  |                    |                                   |                              |
|            |  |  | INXH. ENDRI PIERO                                 | MEK. ARBEN MUHA    |                      |                    |                                   |                              |

DETAJ LIDHJE OBJEKTEVE PRIVATE ME RRJETIN E KANALIZIMEVE



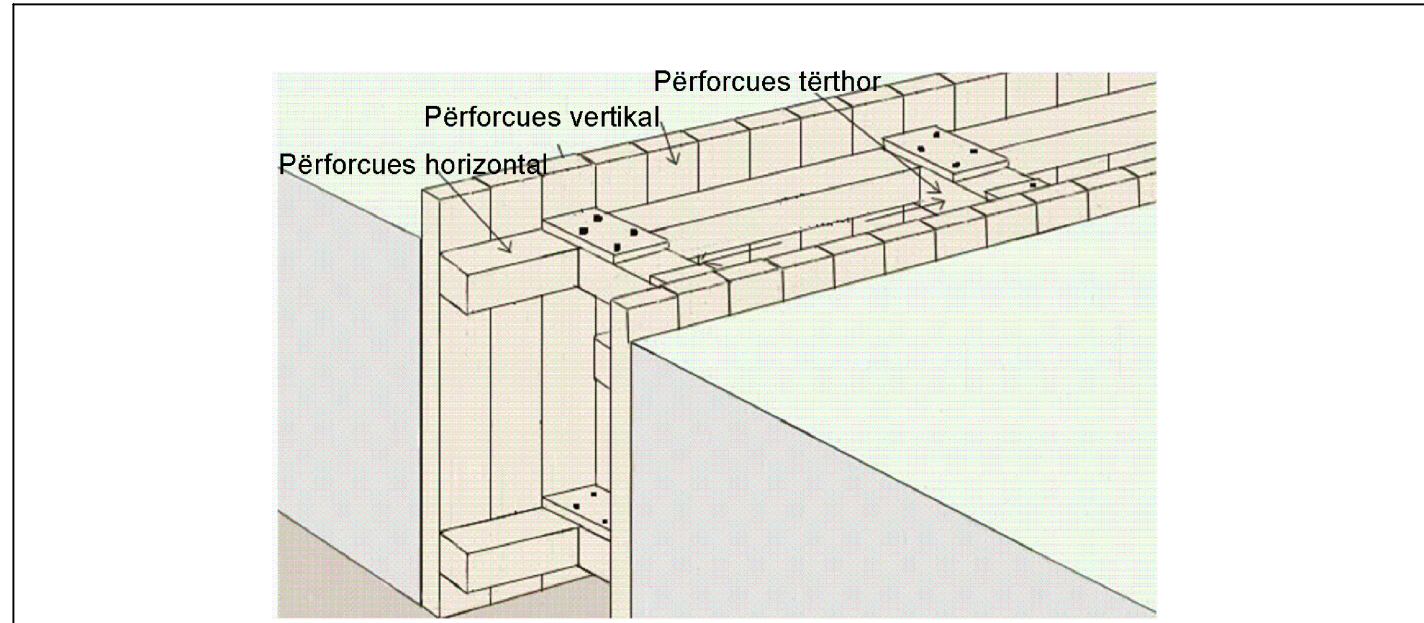
PLANIMETRIA




| LEGJENDA |                                |
|----------|--------------------------------|
| 1        | Tub PVC DN-160mm               |
| 2        | Sifon PVC DN-160mm             |
| 3        | Pusete inspektimi              |
| 4        | Bryll PVC - 45°                |
| 5        | Braga HDPE 90° me dalje DN 160 |
| 6        | Kapak Pusete                   |
| 7        | Tubacion HDPE                  |

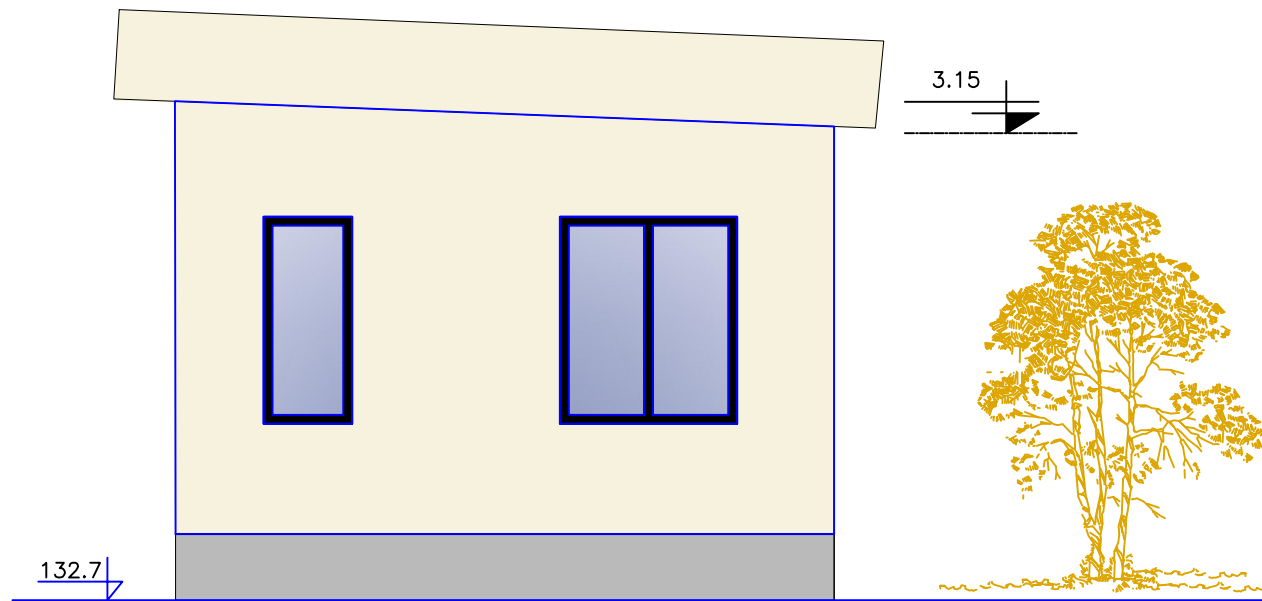
|            |  |  |                      |                    |                      |                     |             |              |
|------------|--|--|----------------------|--------------------|----------------------|---------------------|-------------|--------------|
| POROSITES: | <b>BASHKIA BULQIZE</b>   | <b>"ERALD - G" SH.P.K</b><br>RRUGA:<br>KONGRESI I LUSHNJES,<br>TIRANE, | DREJTUES I PROJEKTIT | PROJEKTUES         |                      |                     | SHKALLA     | NR. I FLETES |
| OBJEKTI:   | "NDERTIM SISTEM KANALIZIMESH DHE IMPIANT TRAJTIMI TE UJERAVE TE NDOTURA NE QYTETIN BULQIZE E RE" |  | INXH. GEZIM ISLAMI   | INXH. GEZIM ISLAMI | TOP. KUJTIM CANAMETI | INXH. ERINDI GJOKA  |             | 11-02        |
|            |  |  |                      | HIDR. ANISA ZAKA   | ELEK. HAJDAR KURTI   | GJEO. SHKELZEN QOKA | TIRANE 2022 | FORMAT A3    |
|            |  |  |                      | INXH. ENDRI PIERO  | MEK. ARBEN MUHA      |                     |             |              |

# DETAJE MBI PERFORCIMET E GERMIMIT

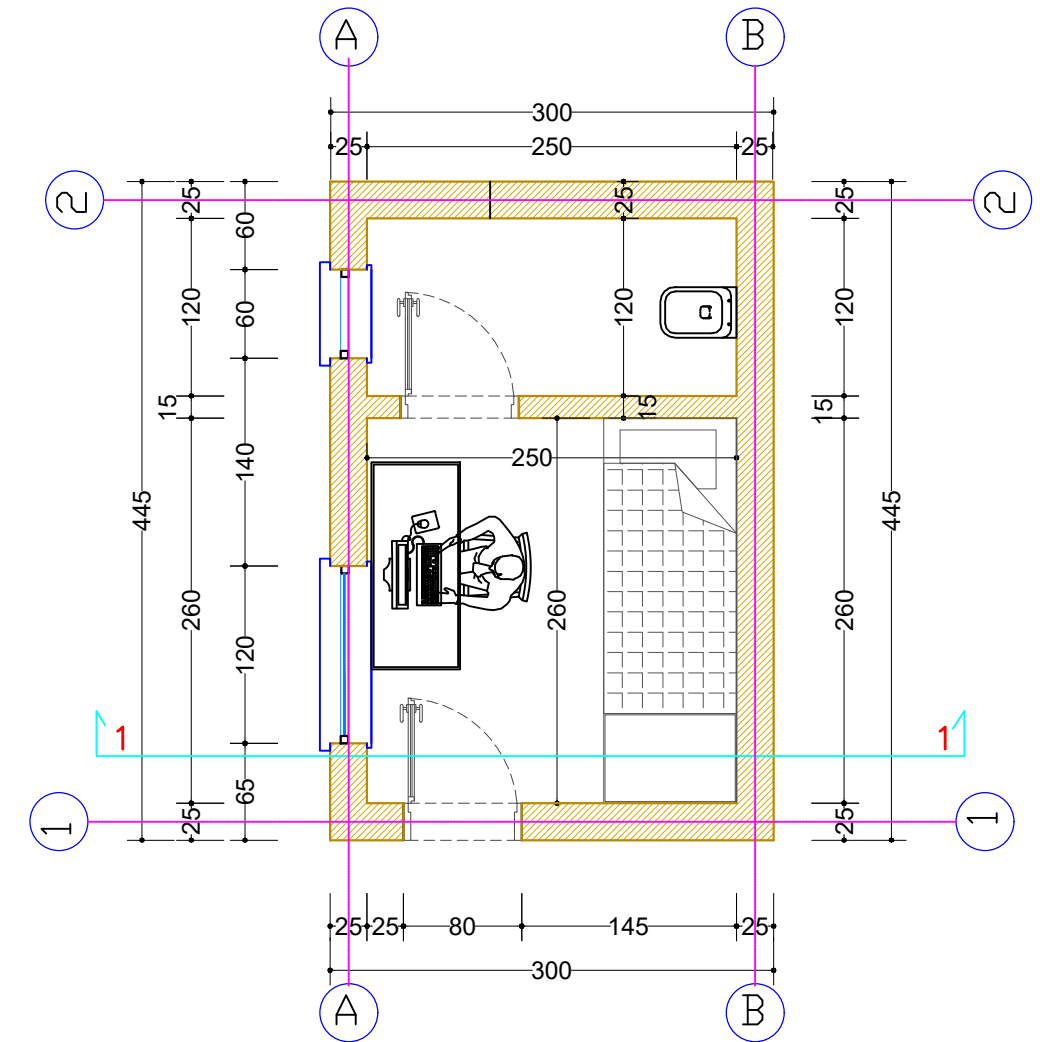
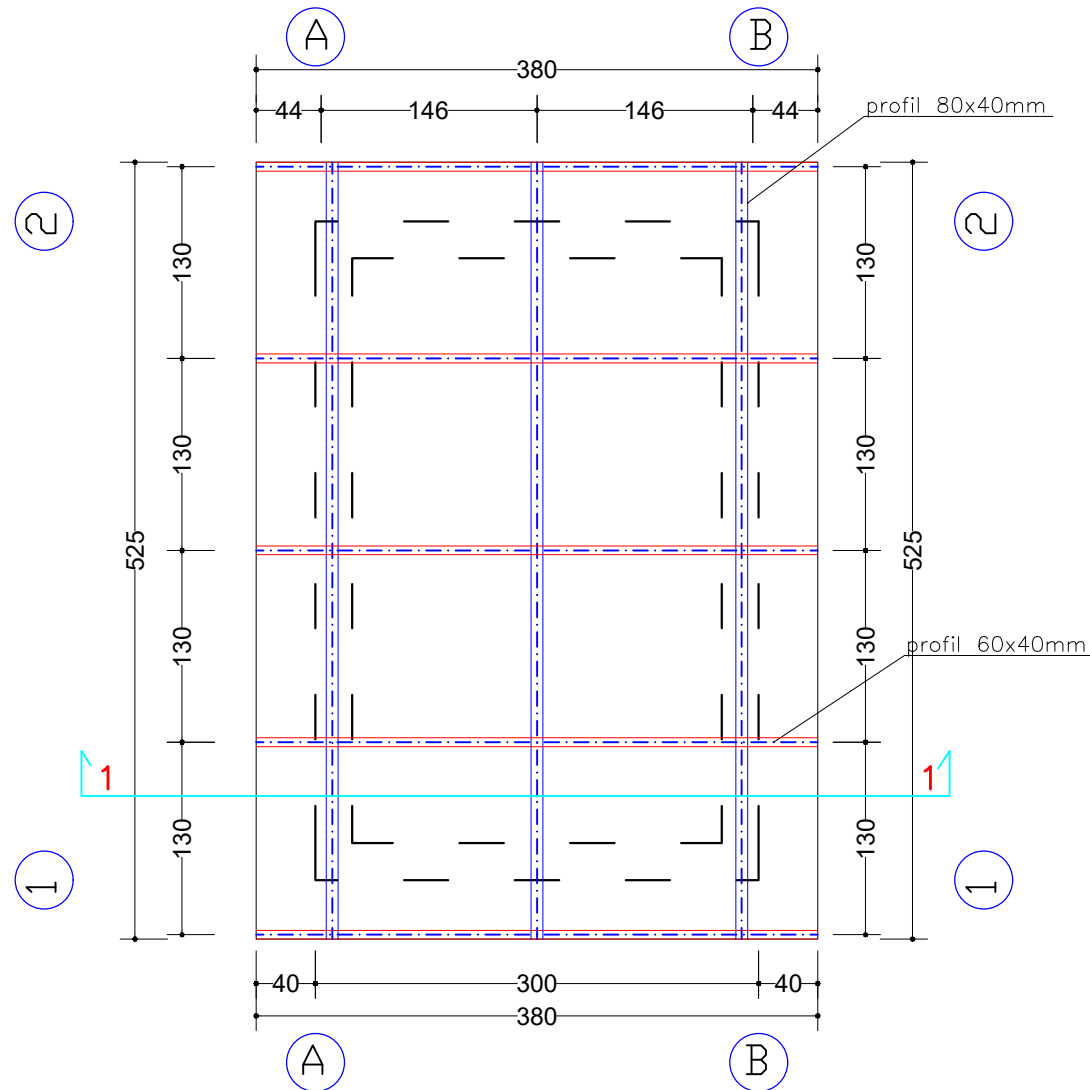


| Stabiliteti i tokës | Thellësia (Metër) | Përforcuesit vertikal |                              | Përforcuesit tërthor |                              | Përforcuesit horizontal |                            |
|---------------------|-------------------|-----------------------|------------------------------|----------------------|------------------------------|-------------------------|----------------------------|
|                     |                   | Përmasa (cm)          | Hapësira horizontale (Metër) | Përmasa (cm)         | Hapësira horizontale (Metër) | Përmasa (cm)            | Hapësira vertikale (Metër) |
| Shumë ngjeshur      | 1.5-3             | 5 x 20                | 2.4                          | 10 x 10              | 2.4                          | Aty ku tregohet         |                            |
|                     | Mbi 3             | 8 x 20                | 1.8                          | 10 x 15              | 1.8                          | Aty ku tregohet         |                            |
| E paqëndrueshme     | 1.5-3             | 5 x 20                | 1.2                          | 10 x 10              | 1.2                          | Aty ku tregohet         |                            |
|                     | 1.5-3             | 5 x 20                | 0.6                          | 10 x 10              | 0.6                          | Aty ku tregohet         |                            |
| E lëvizshme         | Mbi 3             | 8 x 20                | Solide                       | 10 x 15              | 1.8                          | 10 x 15                 | 1.2                        |
|                     | 1.2- 2.4          | 5 x 20                | Solide                       | 10 x 10              | 1.8                          | 10 x 15                 | 1.2                        |
|                     | Mbi 1.4           | 8 x 20                | Solide                       | 15 x 15              | 1.8                          | 15 x 13                 | 1.2                        |

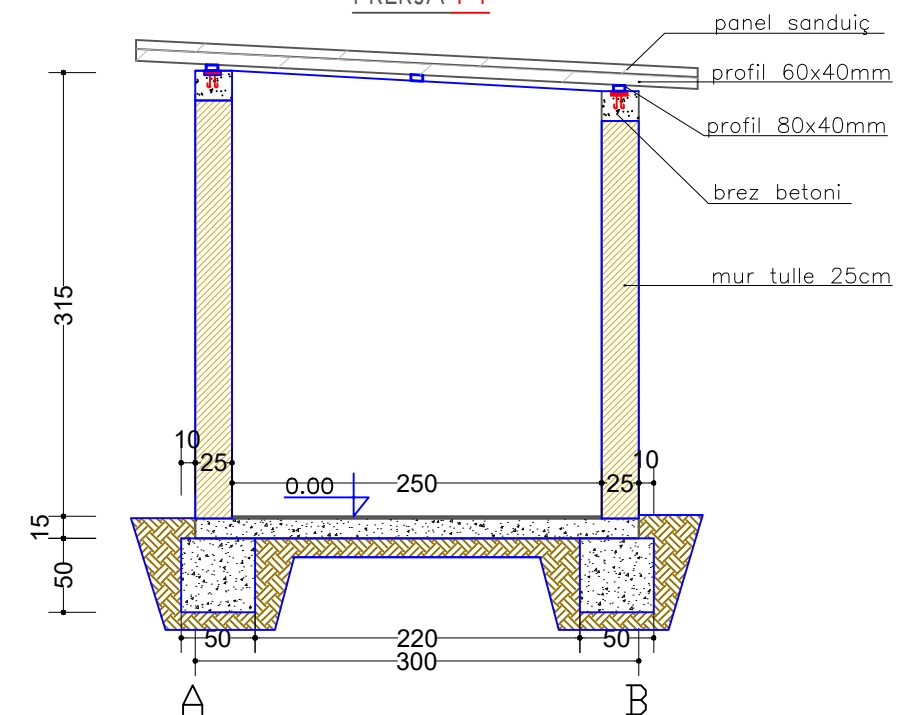
|            |   |   |                             |                           |                             |                           |                    |                     |
|------------|---|---|-----------------------------|---------------------------|-----------------------------|---------------------------|--------------------|---------------------|
| POROSITES: | <b>BASHKIA BULQIZE</b>  | <b>"ERALD - G" SH.P.K</b><br><br>RRUGA:<br>KONGRESI I LUSHNYES,<br>TIRANE, | <b>DREJTUES I PROJEKTIT</b> | <b>PROJEKTUES</b>         |                             |                           | <b>SHKALLA</b>     | <b>NR. I FLETES</b> |
| OBJEKTI:   | <b>"NDERTIM SISTEM KANALIZIMESH DHE IMPIANT TRAJTIMI TE UJERAVE TE NDOTURA NE QYTETIN BULQIZE E RE"</b> |   | INXH. <b>GEZIM ISLAMI</b>   | INXH. <b>GEZIM ISLAMI</b> | TOP. <b>KUJTIM CANAMETI</b> | INXH. <b>ERINDI GJOKA</b> | <b>TIRANE 2022</b> | <b>11-03</b>        |
|            |   |   | HIDR. <b>ANISA ZAKA</b>     | ELEK. <b>HAJDAR KURTI</b> | GJEO. <b>SHKELZEN QOKA</b>  | <b>FORMAT A3</b>          |                    |                     |
|            |   |   | INXH. <b>ENDRI PIERO</b>    | MEK. <b>ARBEN MUHA</b>    |                             |                           |                    |                     |




PLANI I STRUKTURAVE I MBULESES  
SE DHOMES SE ROJES SH 1:50

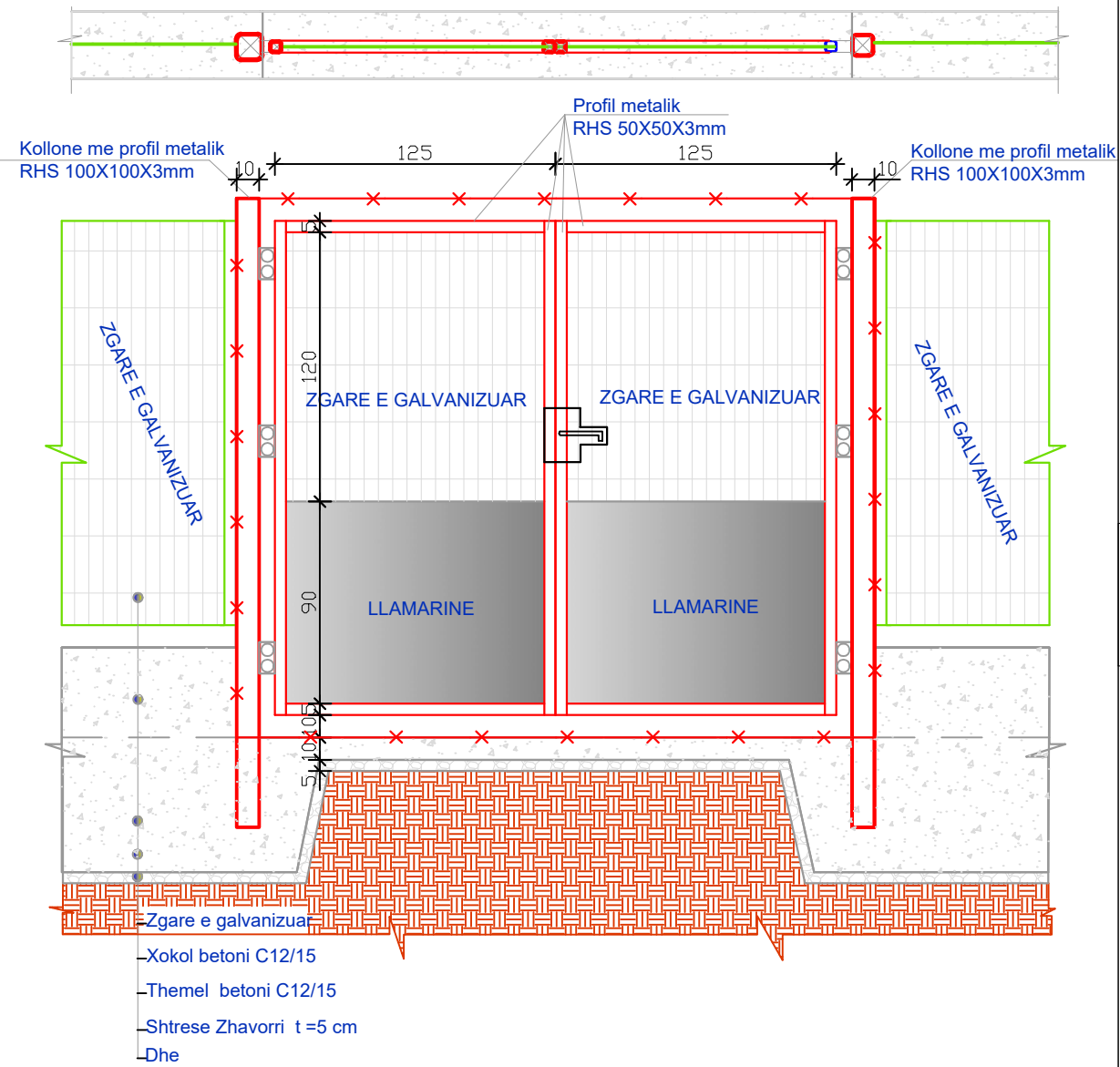


PRERJA 1-1

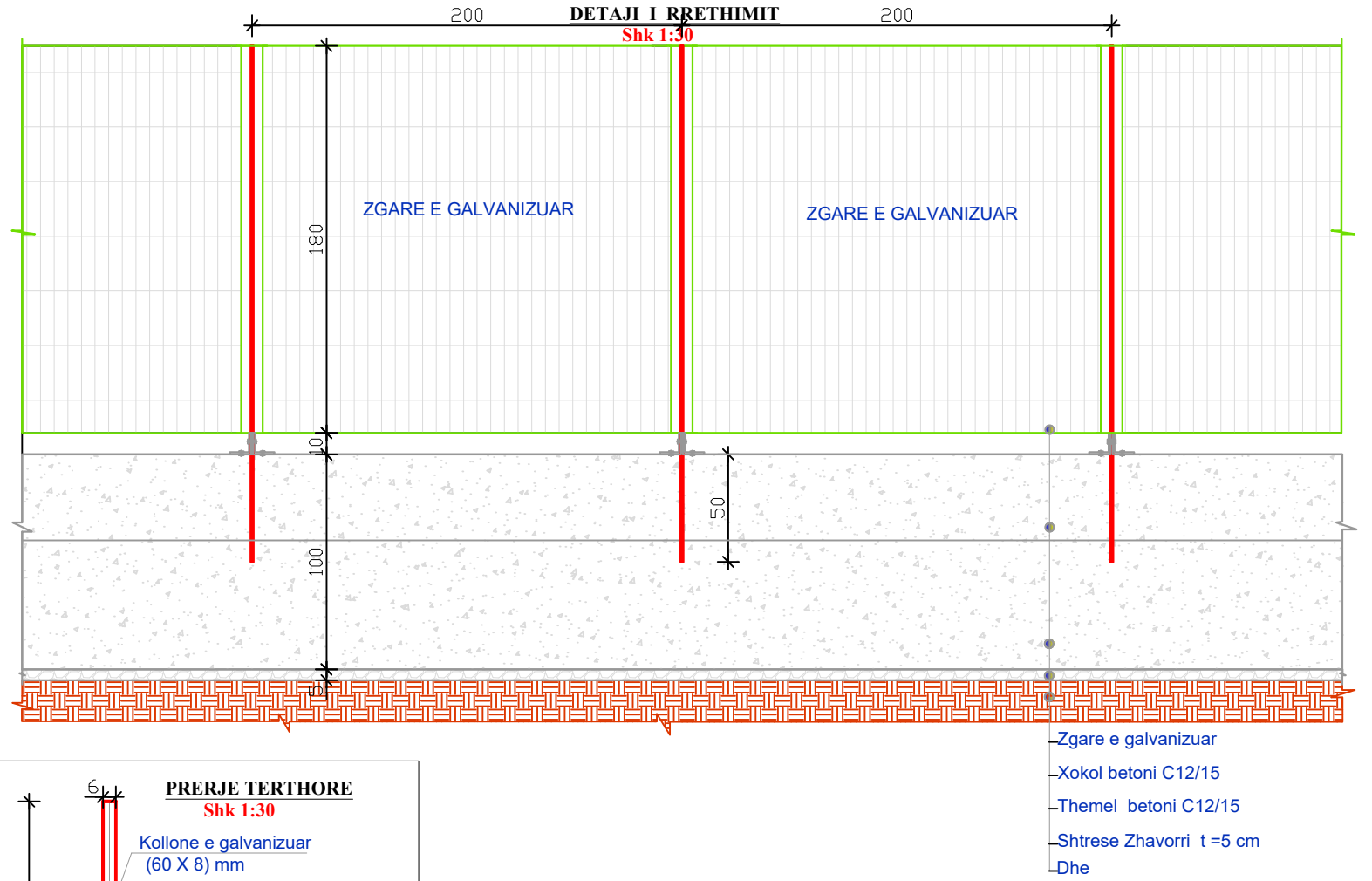


|            |   |  |                             |  |                    |                      |                    |                |                     |
|------------|---|--|-----------------------------|--|--------------------|----------------------|--------------------|----------------|---------------------|
| POROSITES: | <b>BASHKIA BULQIZE</b>  | <b>"ERALD - G" SH.P.K</b><br> RRUGA.<br>KONGRESI I LUSHNJES,<br>TIRANE, | <b>DREJTUES I PROJEKMIT</b> |  | <b>PROJEKTUES</b>  |                      |                    | <b>SHKALLA</b> | <b>NR. I FLETES</b> |
| OBJEKTI:   | "NDERTIM SISTEM KANALIZIMESH DHE IMPIANT TRAJTIMI<br>TE UJERAVE TE NDOTURA NE QYTETIN BULQIZE E RE" |  | INXH. GEZIM ISLAMI          |  | INXH. GEZIM ISLAMI | TOP. KUJTIM CANAMETI | INXH. ERINDI GJOKA | SH: 1:50       | 11-04               |
|            |   |  |                             |  | ELEK. HAJDAR KURTI | GJEO. SHKELZEN QOKA  | TIRANE 2022        | FORMAT A3      |                     |
|            |   |  |                             |  | MEK. ARBEN MUHA    |                      |                    |                |                     |

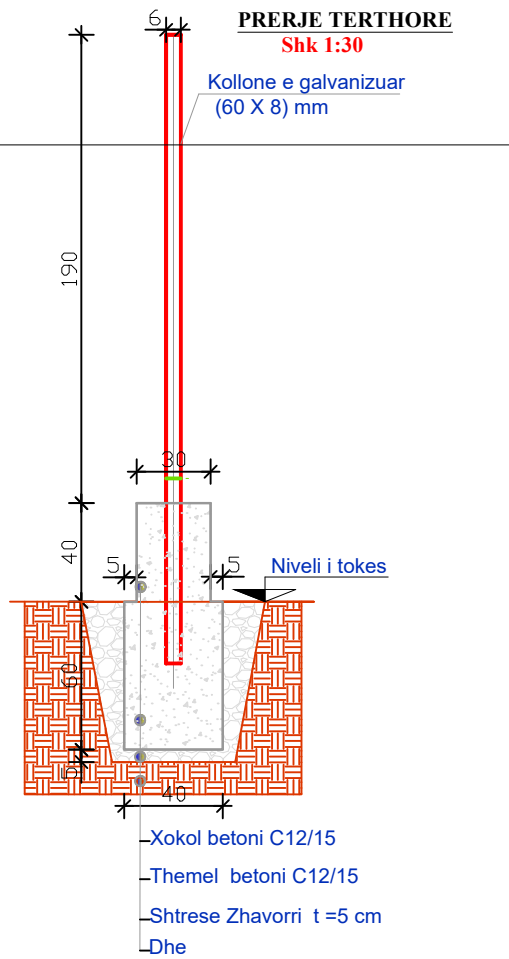
DETAJI I PORTES  
Shk 1:30



DETAJI I RRETHIMIT  
Shk 1:30



PRERJE TERTHORE  
Shk 1:30



|            |  |  |                     |                    |                      |                     |             |              |
|------------|--|--|---------------------|--------------------|----------------------|---------------------|-------------|--------------|
| POROSITES: | <b>BASHKIA BULQIZE</b>   | <b>"ERALD - G" SH.P.K</b><br>RRUGA. KONGRESI I LUSHNYES, TIRANE. | DREJTUES I PROJEKTI | PROJEKTUES         |                      |                     | SHKALLA     | NR. I FLETES |
| OBJEKTI:   | "NDERTIM SISTEM KANALIZIMESH DHE IMPIANT TRAJTIMI TE UJERAVE TE NDOTURA NE QYTETIN BULQIZE E RE" |  | INXH. GEZIM ISLAMI  | INXH. GEZIM ISLAMI | TOP. KUJTIM CANAMETI | INXH. ERINDI GJOKA  | SH: 1:30    | 11-05        |
|            |  |  |                     | HIDR. ANISA ZAKA   | ELEK. HAJDAR KURTI   | GJEO. SHKELZEN QOKA | TIRANE 2022 | FORMAT A3    |
|            |  |  |                     | INXH. ENDRI PIERO  | MEK. ARBEN MUHA      |                     |             |              |