

REPUBLIKA E SHQIPËRISË  
BASHKIA DIBËR

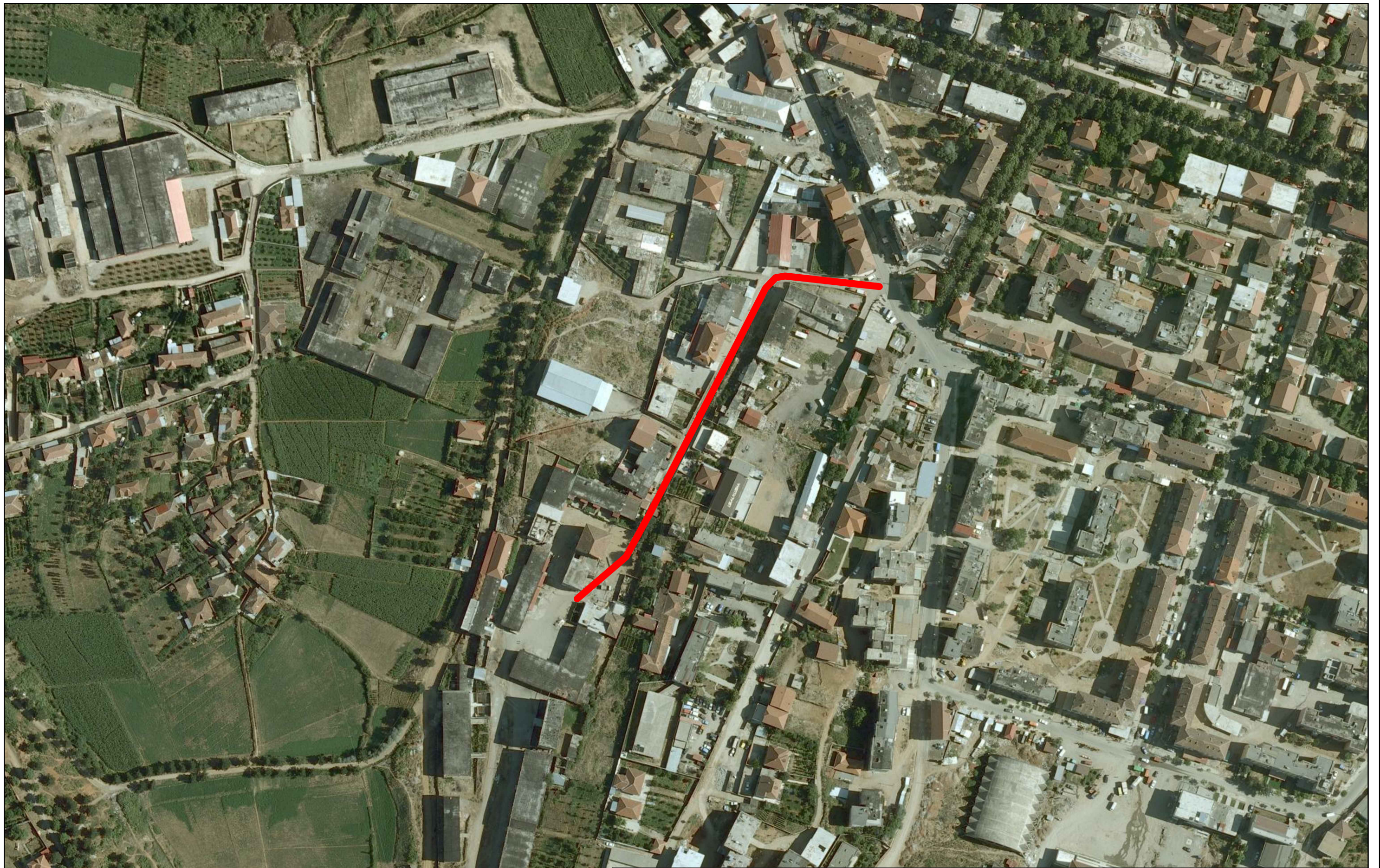
# PROJEKT & PREVENTIV

*Objekti: Sistemim Asfaltim Rruga e Grumbullimit*

*PROJEKTOI DHE PREVENTIVOI  
TRIANGLE Sh.p.k*

*Ing. ZENULLA MEHMETI*





**Porositi :**  
**Bashkia Diber**

**Adresa: Bulevardi "Elez ISUFI" Peshkopi**

**Projektoi:**



**Adresa:**  
Karburanti "MEBA 96", Njësia Administrative Melan, Diber  
Cel: 0673840009; E-mail: [trianglepmk@gmail.com](mailto:trianglepmk@gmail.com)

Objekti:

**Projekt - Zbatim**

**Sistemim dhe asfaltim i rruges se Grumbullimit**

Emertimi:

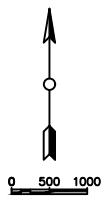
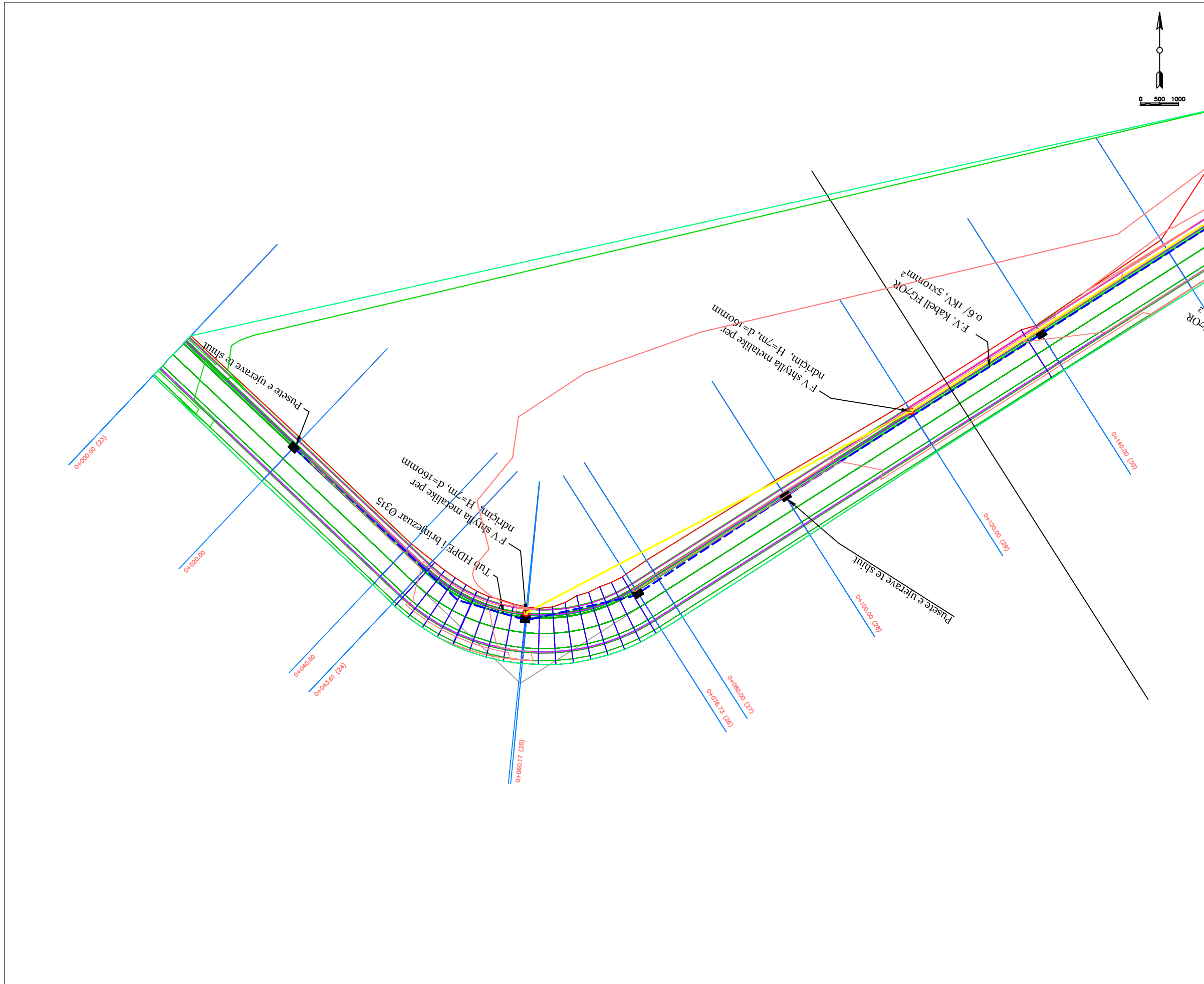
**Horografia e rruges se Grumbullimit**

Sh 1:2000

Gusht 2022

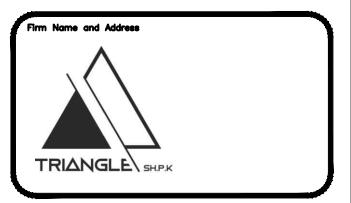
Fleta Nr. 0





General Notes

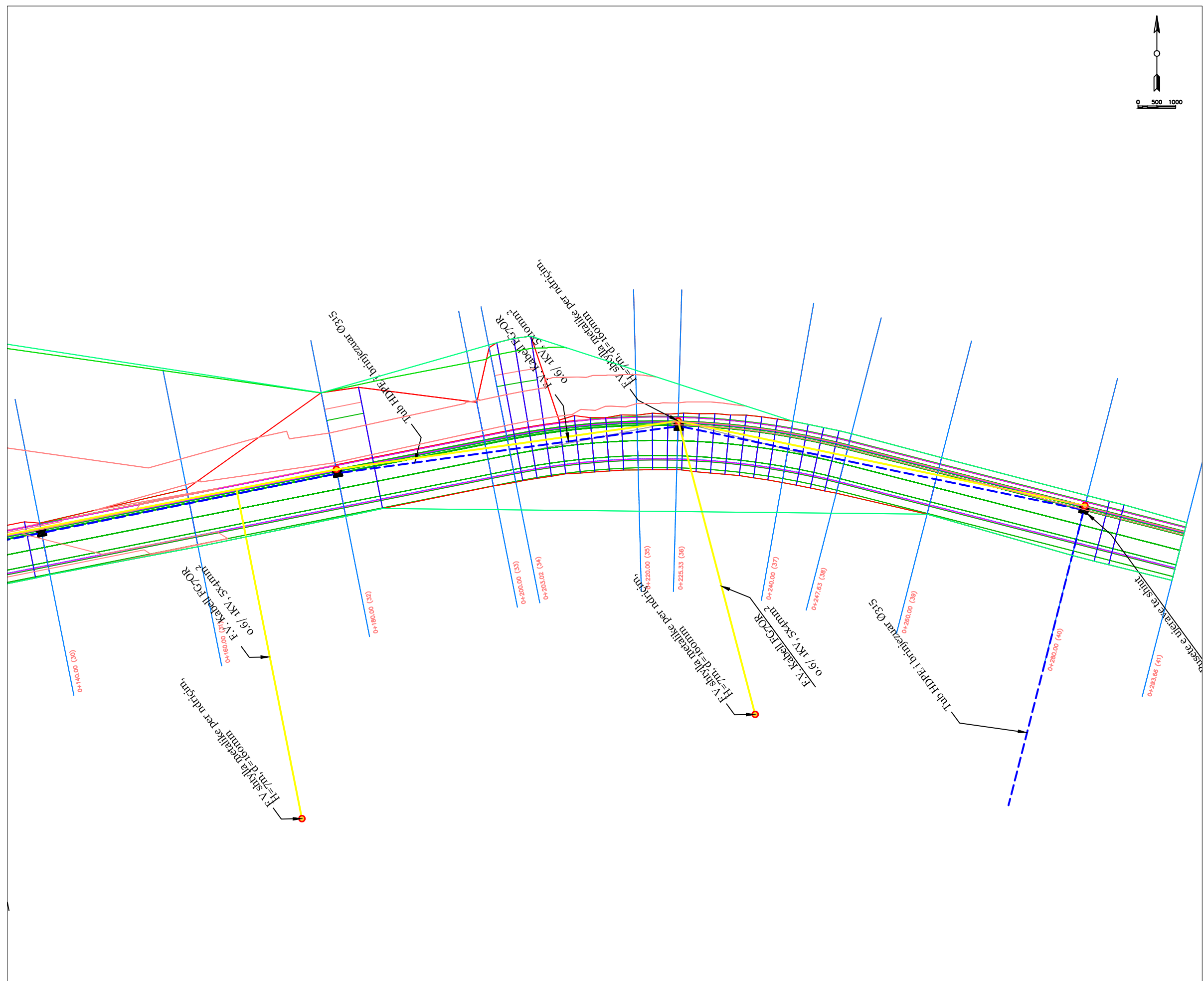
No.	Revision/Issue	Date



Project Name and Address

RRUGA E GRUMBULLIMIT  
Lagja Gjoke Doçi  
Peshkopi

Project	PLANIMETRIA	Sheet
Date	16.07.2022	1
Scale	1:500	



General Notes

No.	Revision/Issue	Date

No.	Revision/Issue	Date

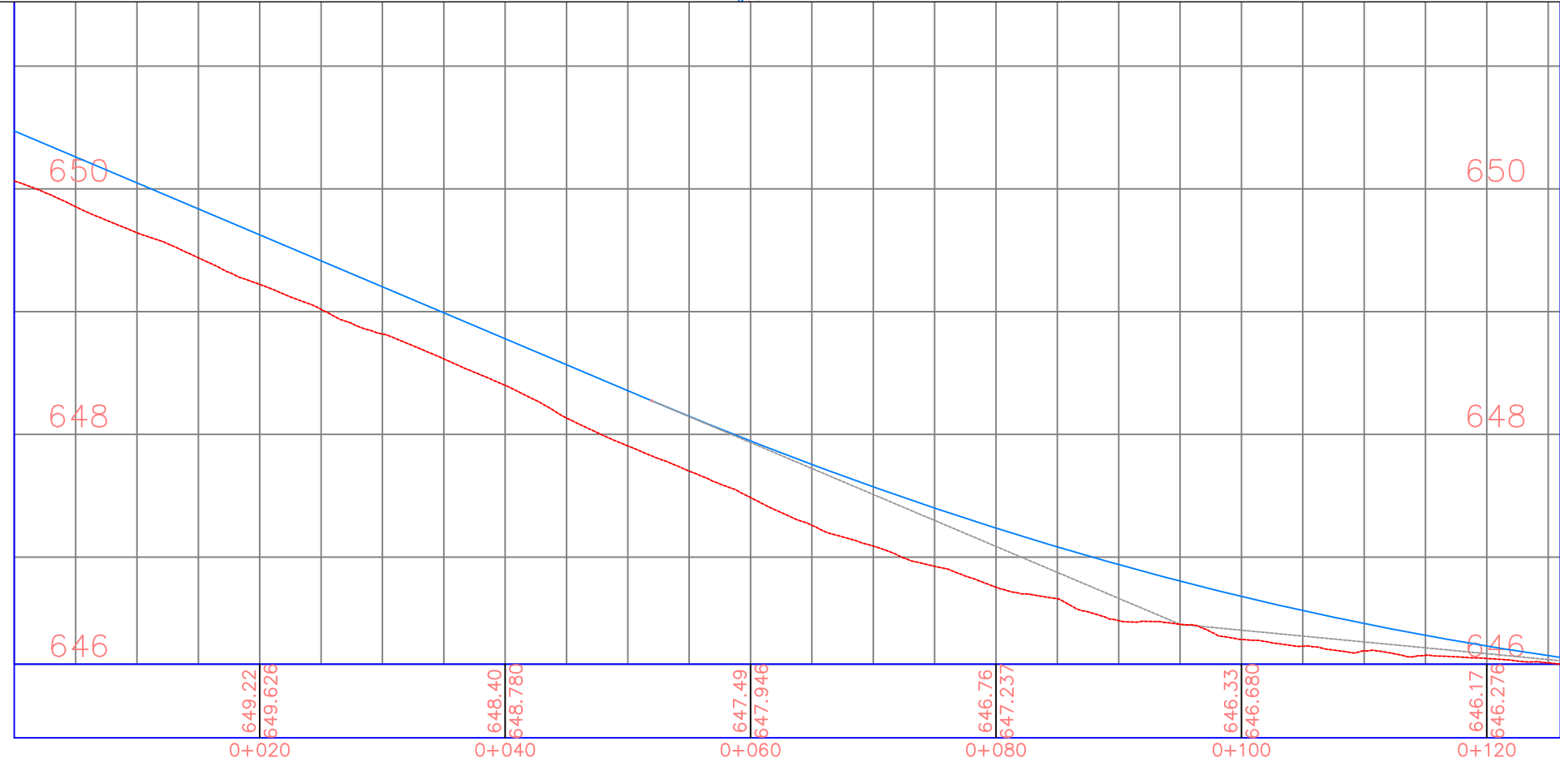
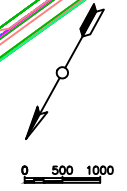
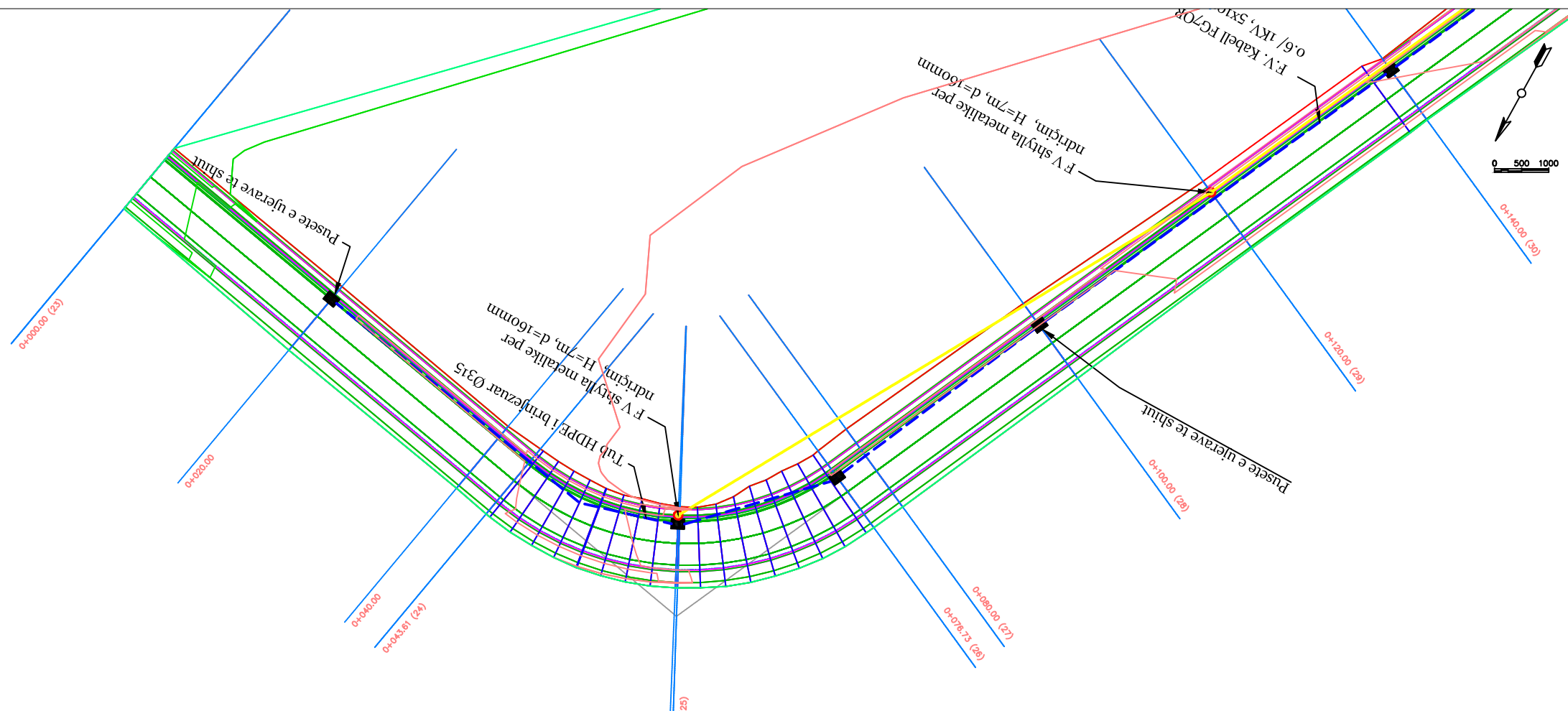
Firm Name and Address

TRIANGLE SHPK

Project Name and Address

RRUGA E GRUMBULLIMIT  
Lagja Gjoke Doçi  
Peshkopi


Project	PLANIMETRIA	Sheet	2
Date	16.07.2022	Scale	1:500



General Notes

No.	Revision/Issue	Date

Firm Name and Address

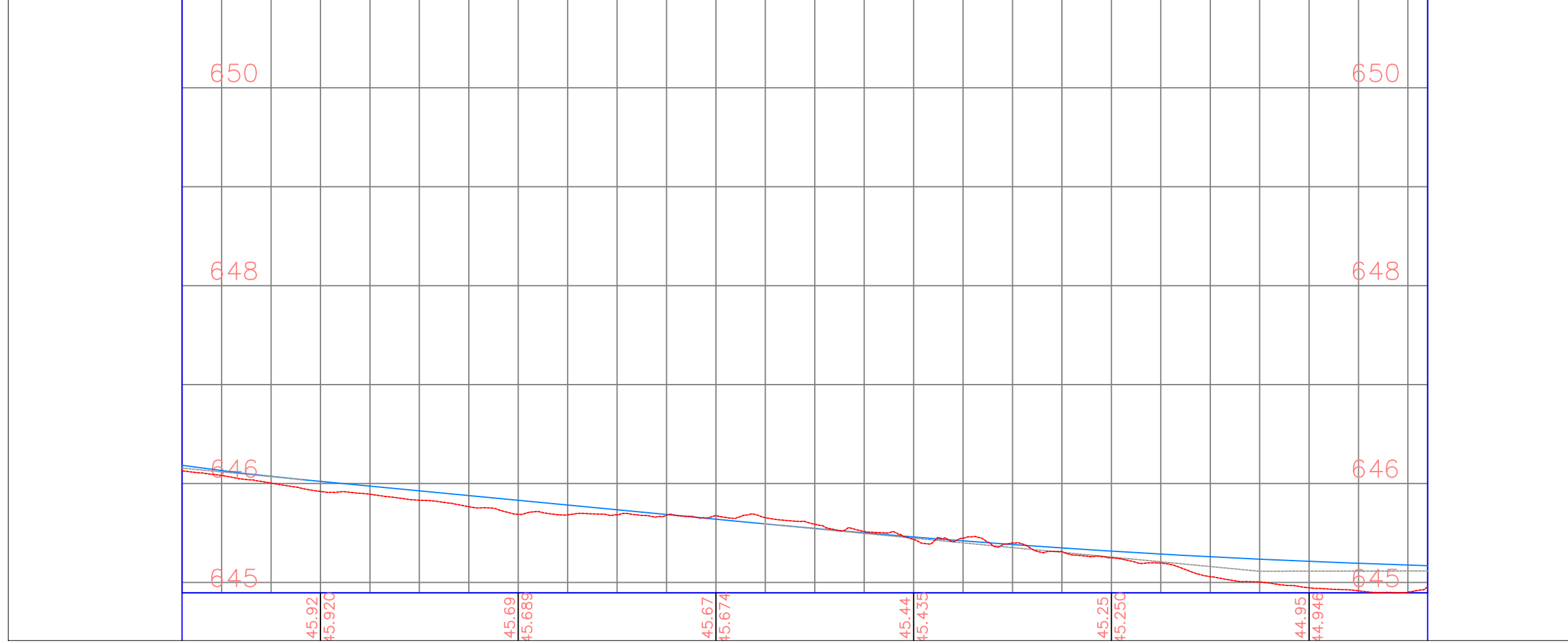
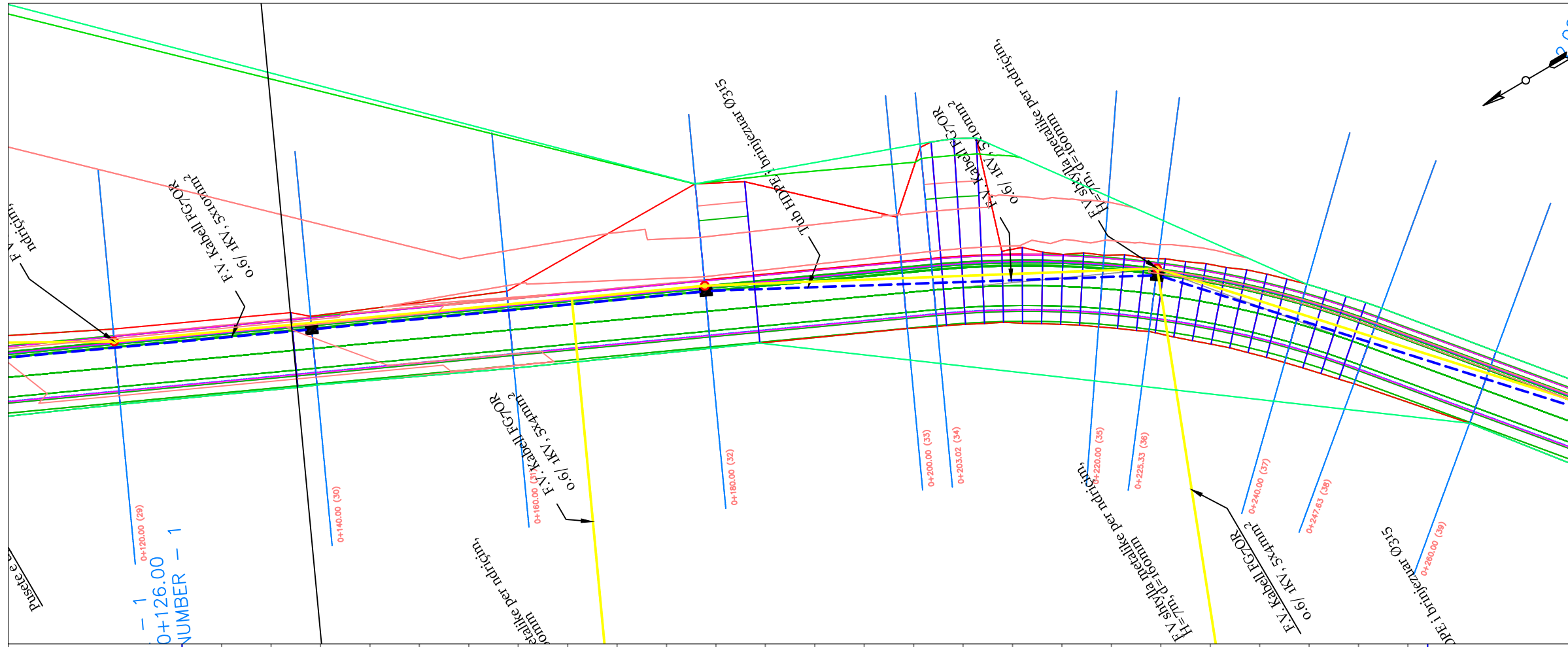


**TRIANGLE SHPK**

Project Name and Address


RRUGA E GRUMBULLIMIT  
Lagja Gjoke Doçi  
Peshkopi

Project <b>PLANIMETRIA</b>	Sheet
Date 16.07.2022	1
Scale 1:500	



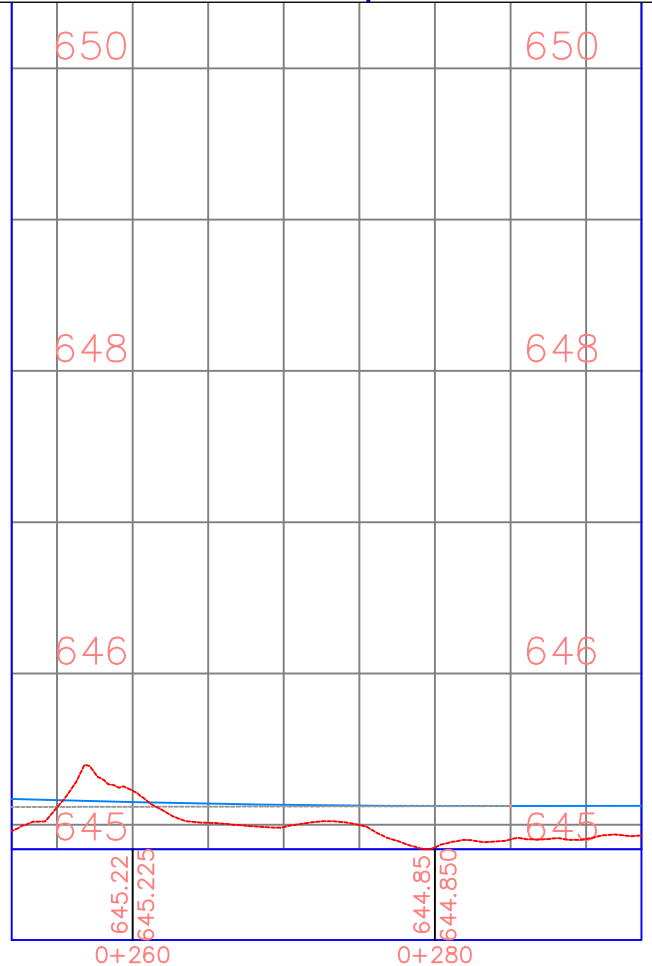
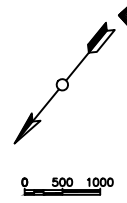
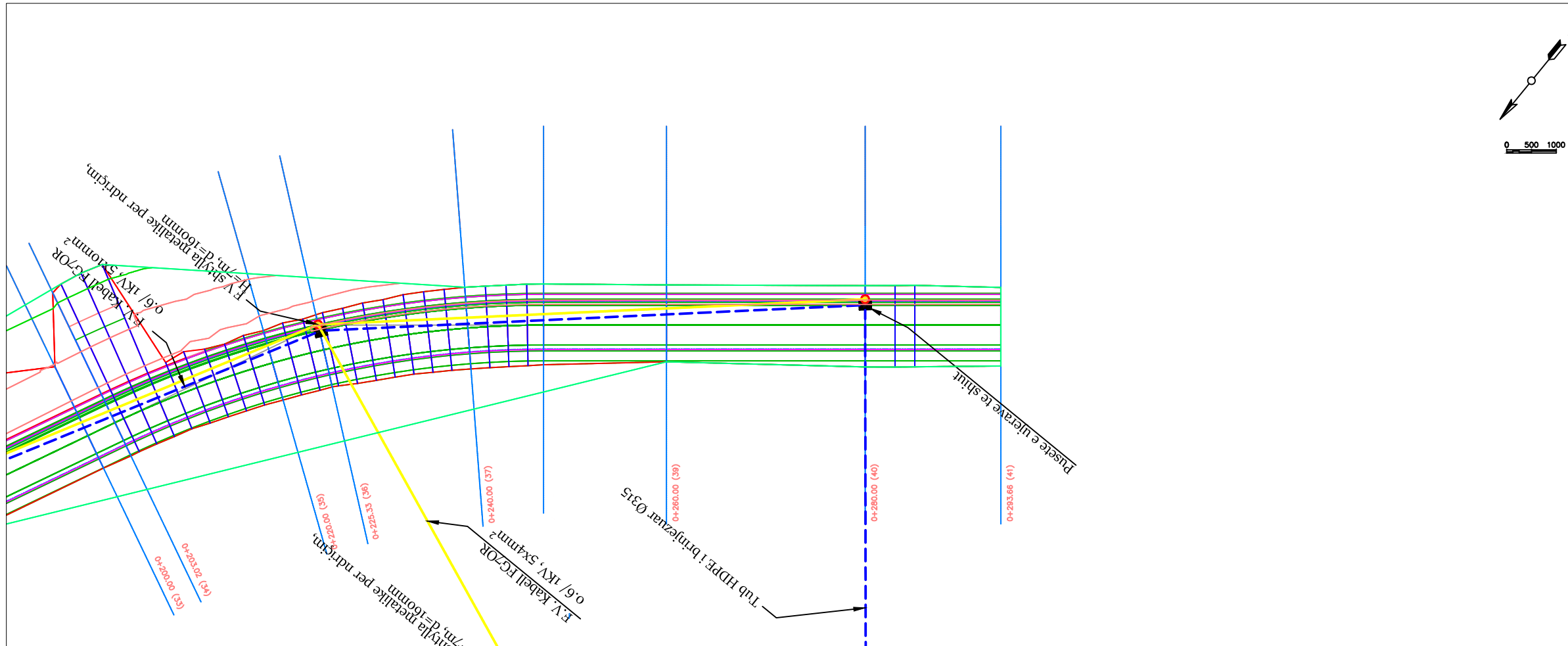
General Notes

No.	Revision/Issue	Date

Firm Name and Address  
  
 TRIANGLE SHPK


Project Name and Address  
 RRUGA E GRUMBULLIMIT  
 Lagja Gjoke Doçi  
 Peshkopi

Project PLANIMETRIA	Sheet 2
Date 16.07.2022	
Scale 1:500	



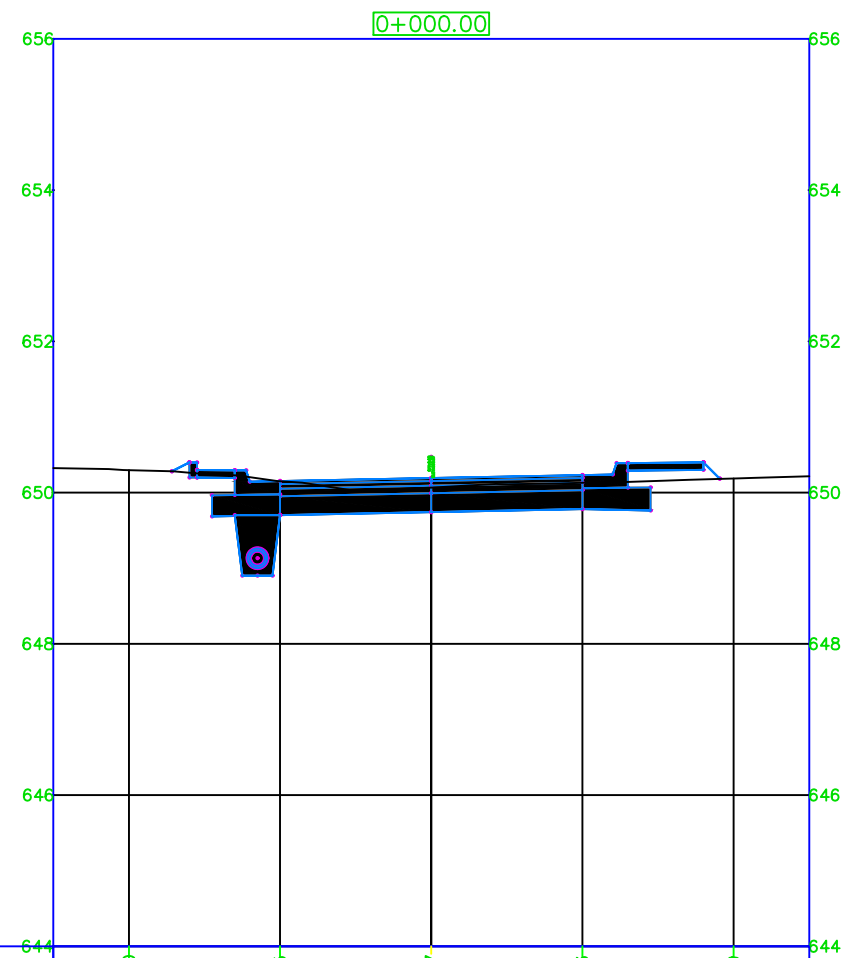
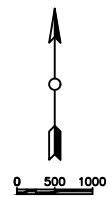
General Notes

No.	Revision/Issue	Date

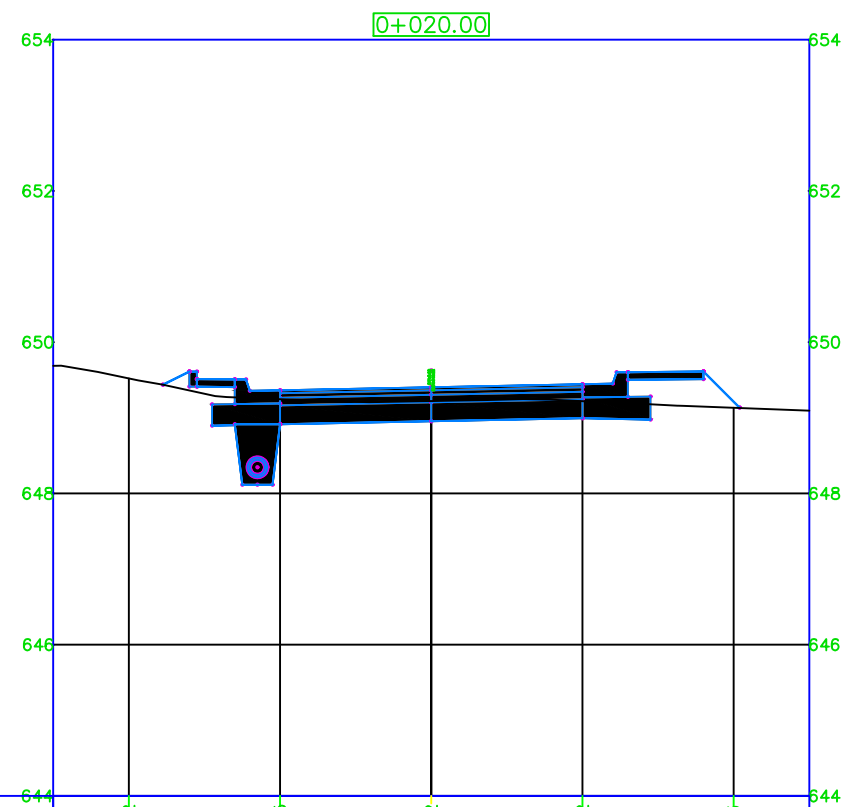
Firm Name and Address  
  
**TRIANGLE SHPK**

Project Name and Address  
**RRUGA E GRUMBULLIMIT**  
 Lagja Gjoke Doçi  
 Peshkopi

Project <b>PLANIMETRIA</b>	Sheet <b>3</b>
Date <b>16.07.2022</b>	
Scale <b>1:500</b>	



EXISTING ELEVATIONS	650.30	650.15	650.07	650.13	650.19
OFFSET	-4.00	-2.00	0	2.00	4.00
PROPOSED ELEVATIONS	656.30	656.15	650.07	656.13	656.19



EXISTING ELEVATIONS	649.52	649.25	649.22	649.22	649.13
OFFSET	-4.00	-2.00	0	2.00	4.00
PROPOSED ELEVATIONS	649.52	649.25	649.22	649.22	649.13

General Notes

No.	Revision/Issue	Date

Firm Name and Address

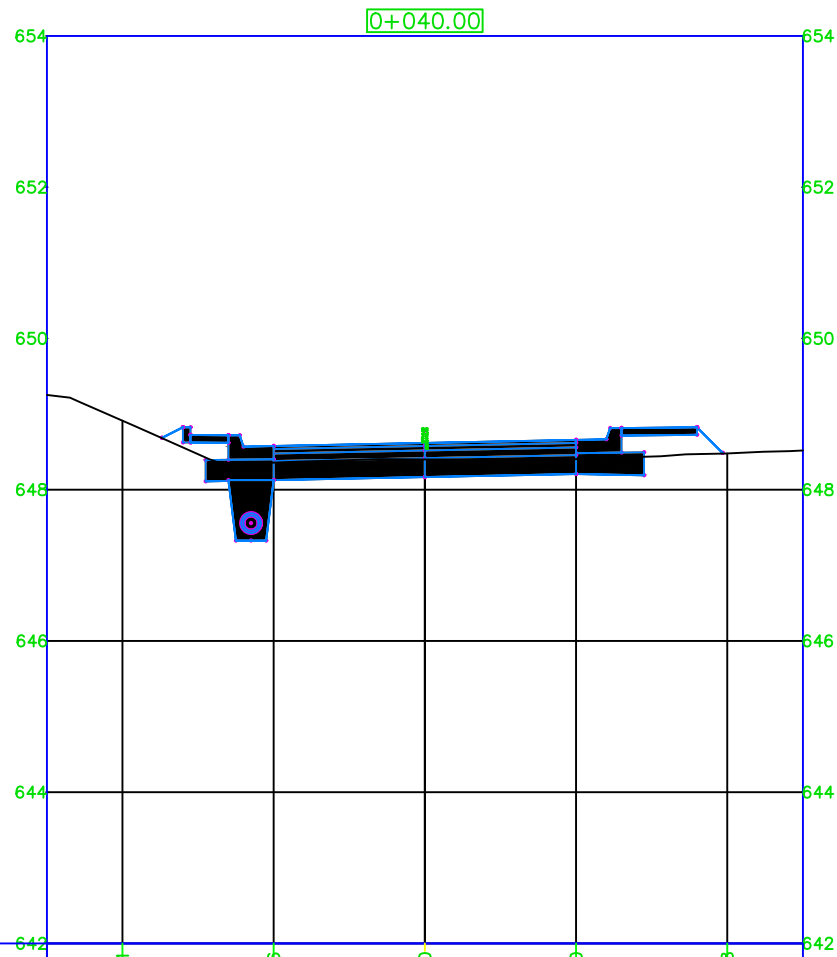
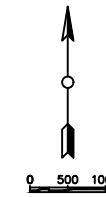
TRIANGLE SHPK

Project Name and Address

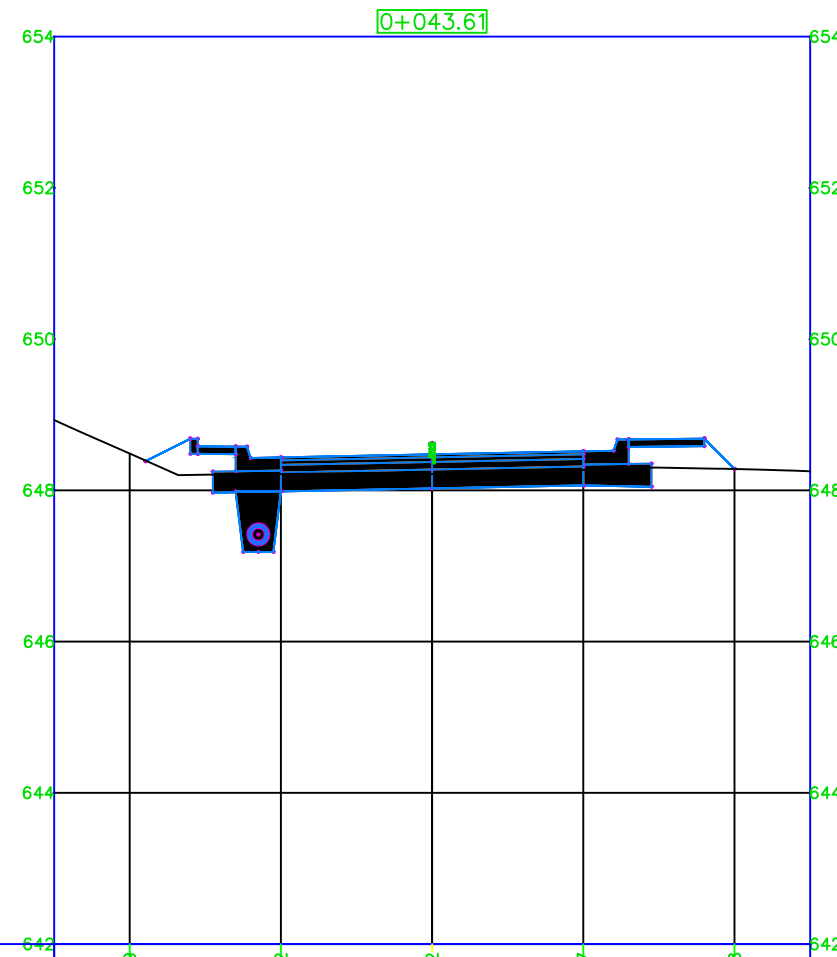
RRUGA E GRUMBULLIMIT  
Peshkopi  
Lagja Gjoke Doçi

Project	Sheet
Profilat terthore	1
Date	16.07.2022
Scale	1:100





EXISTING ELEVATIONS	648.91	648.36	648.40	648.46	648.48
OFFSET	-4.00	-2.00	0	2.00	4.00
PROPOSED ELEVATIONS	648.91	648.36	648.40	648.46	648.48



EXISTING ELEVATIONS	648.49	648.22	648.22	648.27	648.28
OFFSET	-4.00	-2.00	0	2.00	4.00
PROPOSED ELEVATIONS	648.49	648.22	648.22	648.27	648.28

General Notes

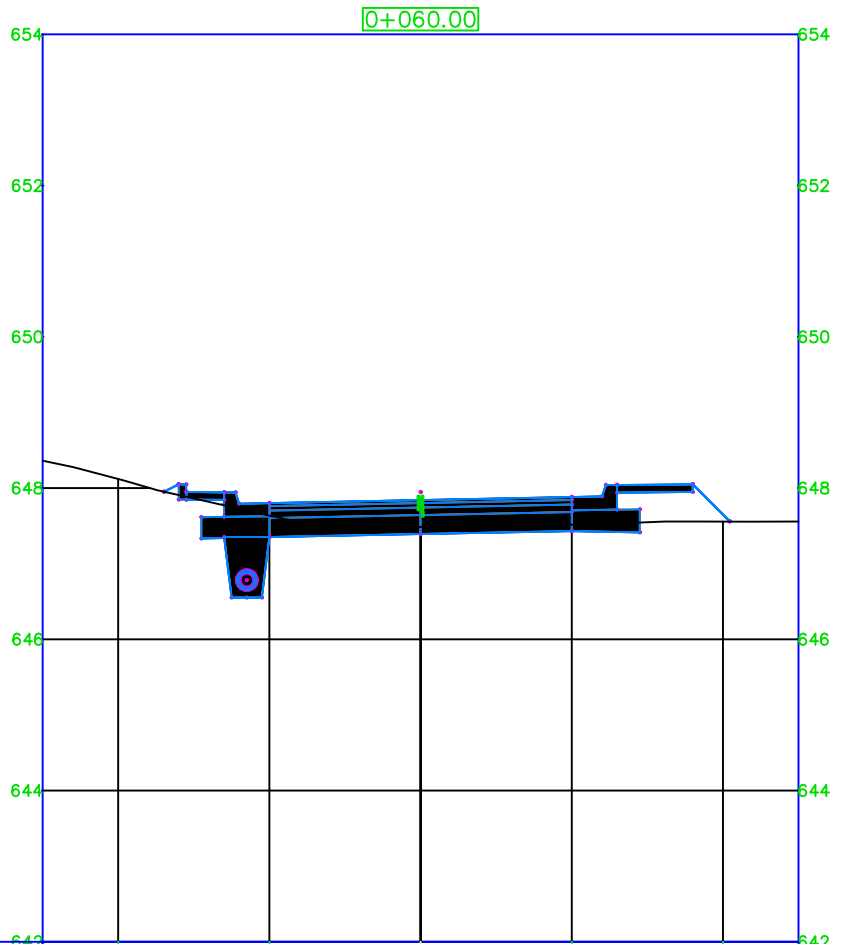
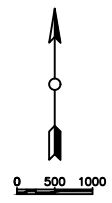
No.	Revision/Issue	Date

Firm Name and Address

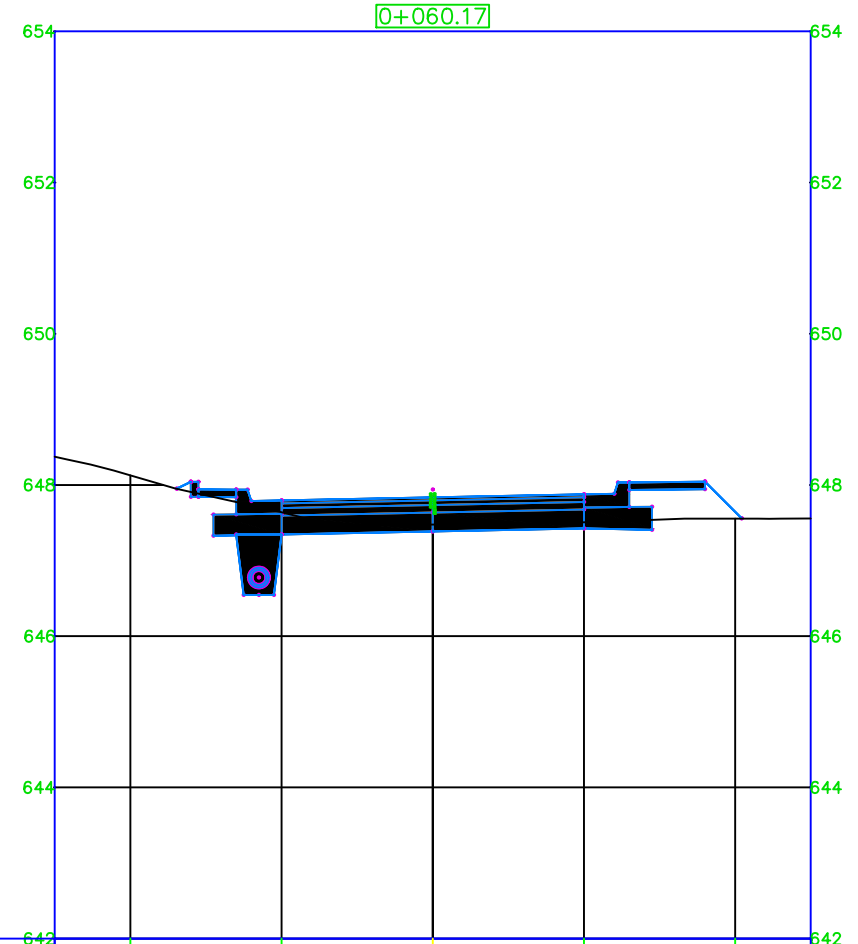
Project Name and Address

RRUGA E GRUMBULLIMIT  
Peshkopi  
Lagja Gjoke Doçi

Project	Sheet
Profilat terthore	2
Date	16.07.2022
Scale	1:100



EXISTING ELEVATIONS	648.12	647.64	647.49	647.52	647.56
OFFSET	-4.00	-2.00	0	2.00	4.00
PROPOSED ELEVATIONS	648.12	647.64	647.49	647.52	647.56



EXISTING ELEVATIONS	648.13	647.64	647.48	647.51	647.55
OFFSET	-4.00	-2.00	0	2.00	4.00
PROPOSED ELEVATIONS	648.13	647.64	647.48	647.51	647.55

General Notes

No.	Revision/Issue	Date

Firm Name and Address

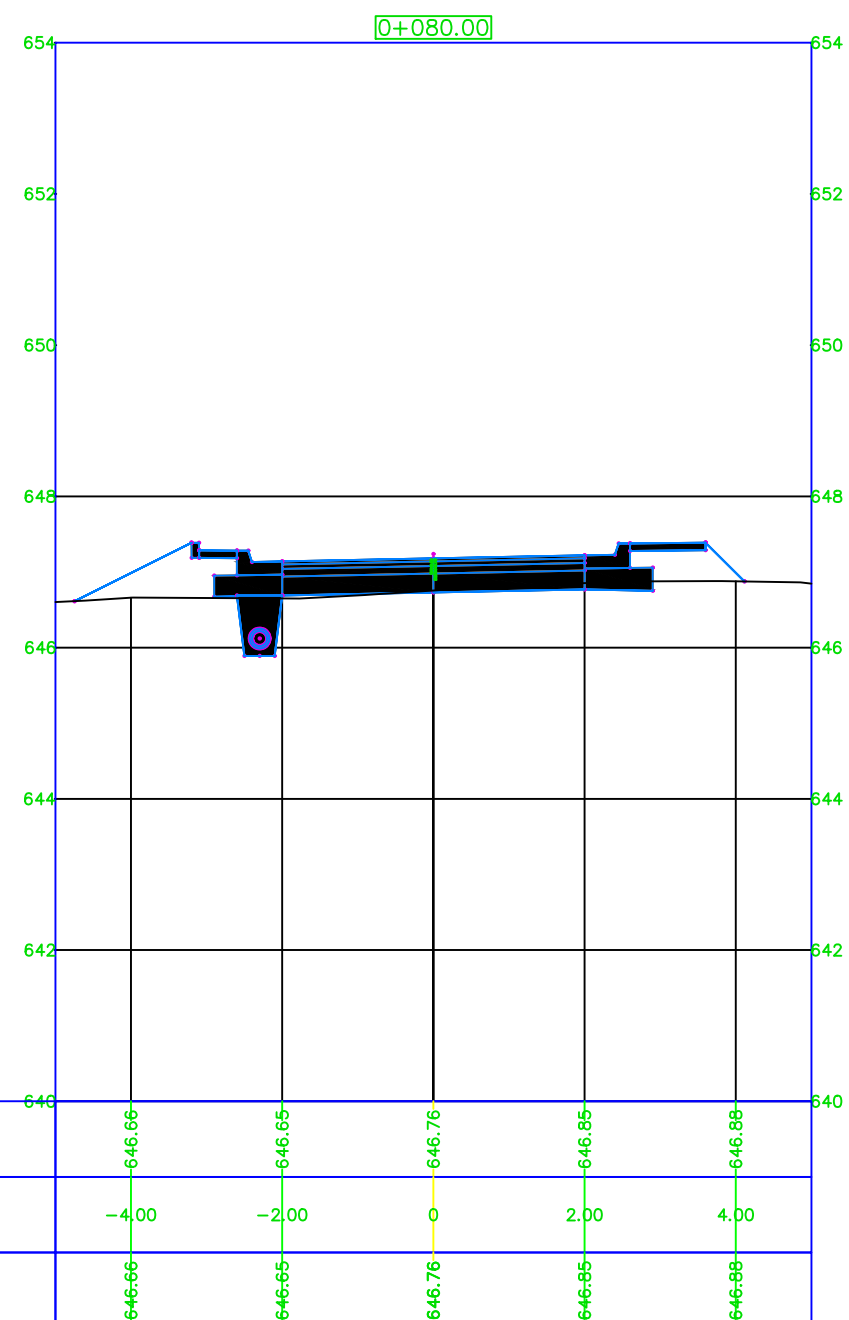
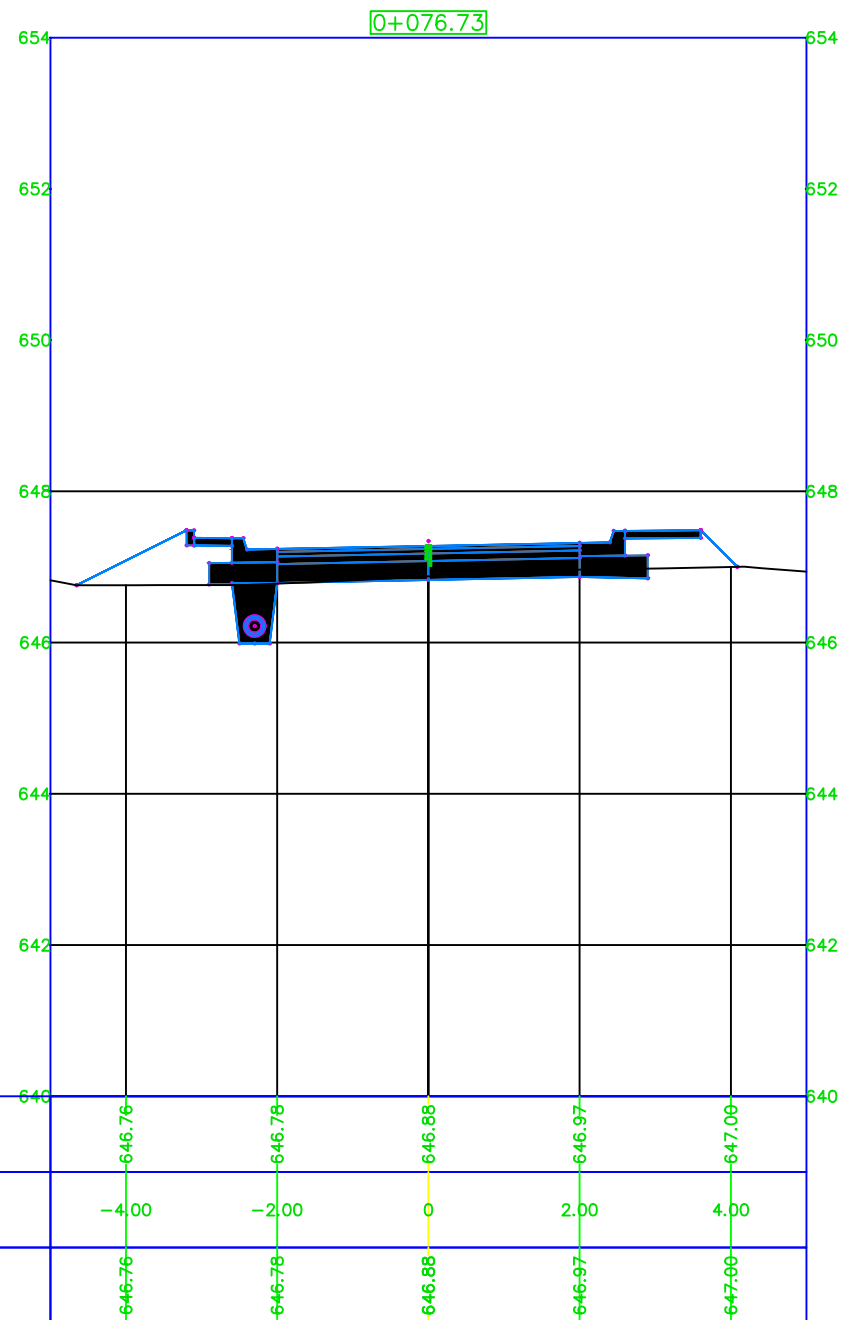
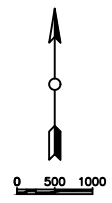
TRIANGLE SHPK

Project Name and Address

RRUGA E GRUMBULLIMIT  
Peshkopi  
Lagja Gjoke Doçi

Project	Sheet
Profilat terthore	3
Date	16.07.2022
Scale	1:100





General Notes

No.	Revision/Issue	Date

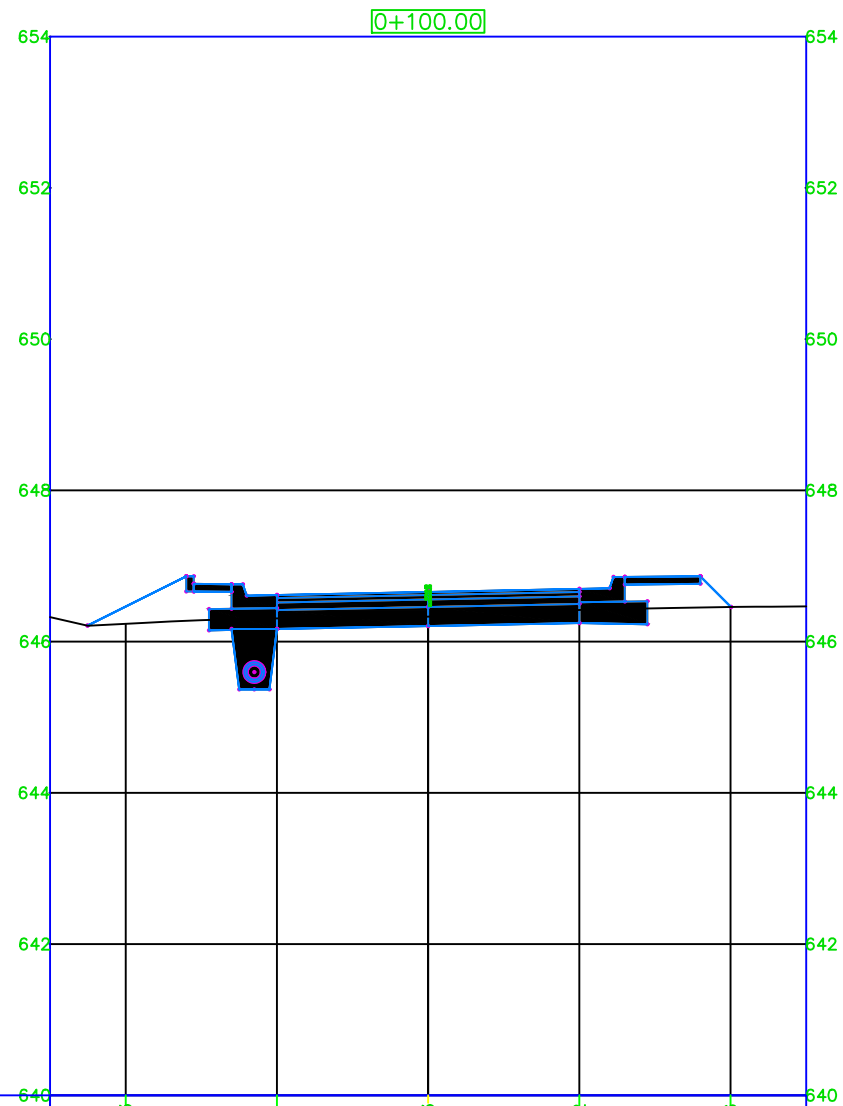
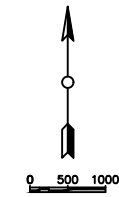
Firm Name and Address

TRIANGLE SHPK

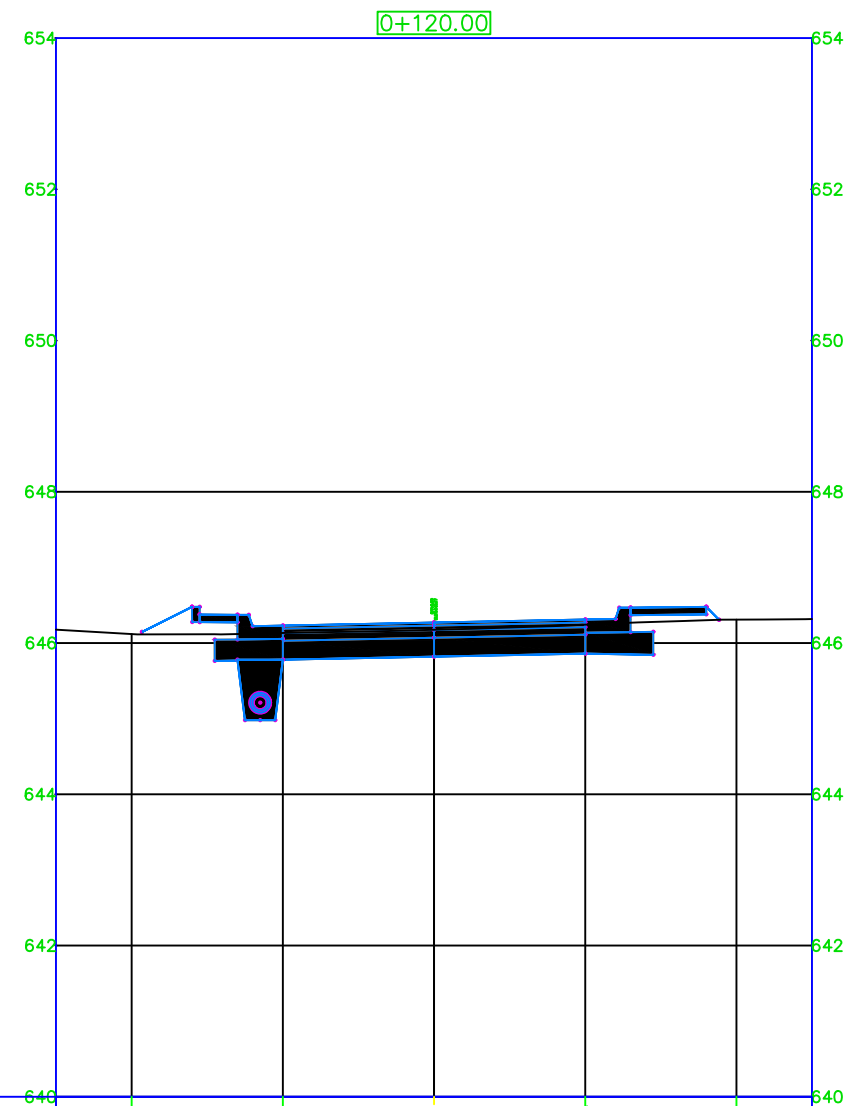
Project Name and Address

RRUGA E GRUMBULLIMIT  
Peshkopi  
Lagja Gjoke Doçi

Project	Sheet
Profilat terthore	4
Date	
Scale	
	1:100



EXISTING ELEVATIONS	646.23	646.31	646.33	646.42	646.46
OFFSET	-4.00	-2.00	0	2.00	4.00
PROPOSED ELEVATIONS	646.23	646.31	646.33	646.42	646.46



EXISTING ELEVATIONS	646.12	646.13	646.17	646.24	646.31
OFFSET	-4.00	-2.00	0	2.00	4.00
PROPOSED ELEVATIONS	646.12	646.13	646.17	646.24	646.31

General Notes

No.	Revision/Issue	Date

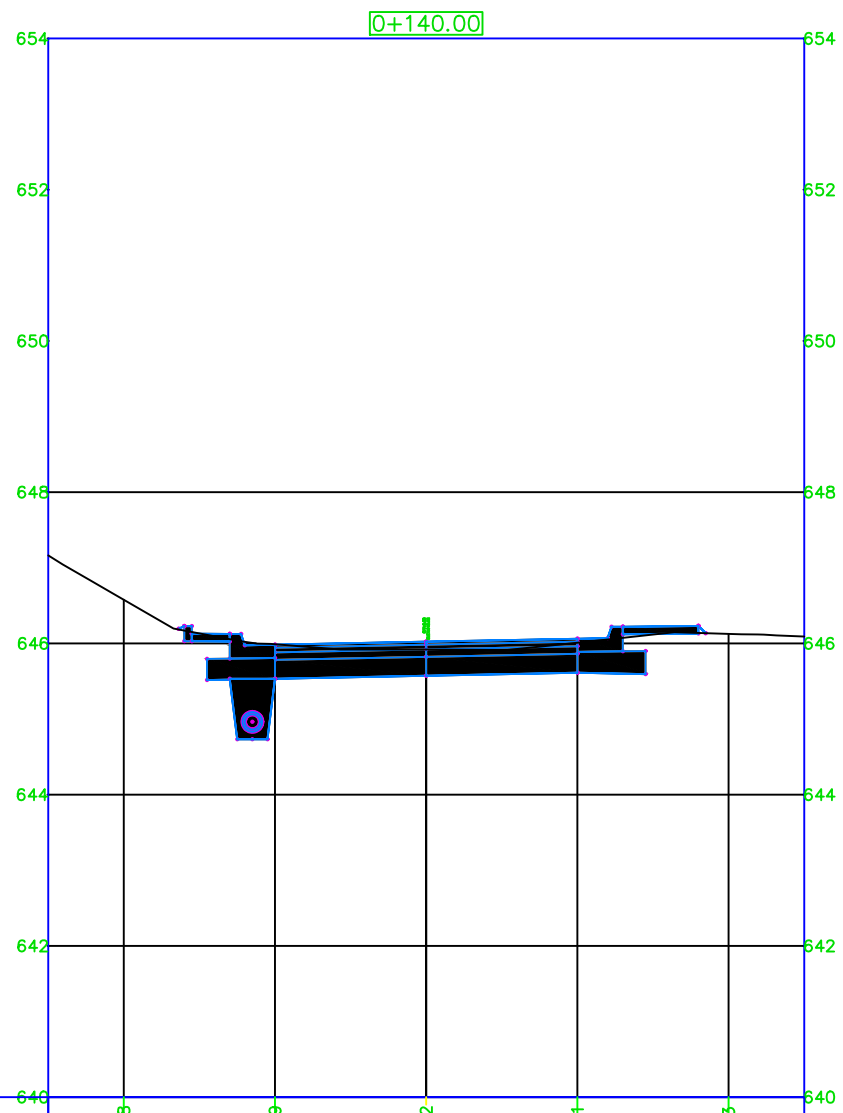
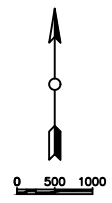
Firm Name and Address

Project Name and Address

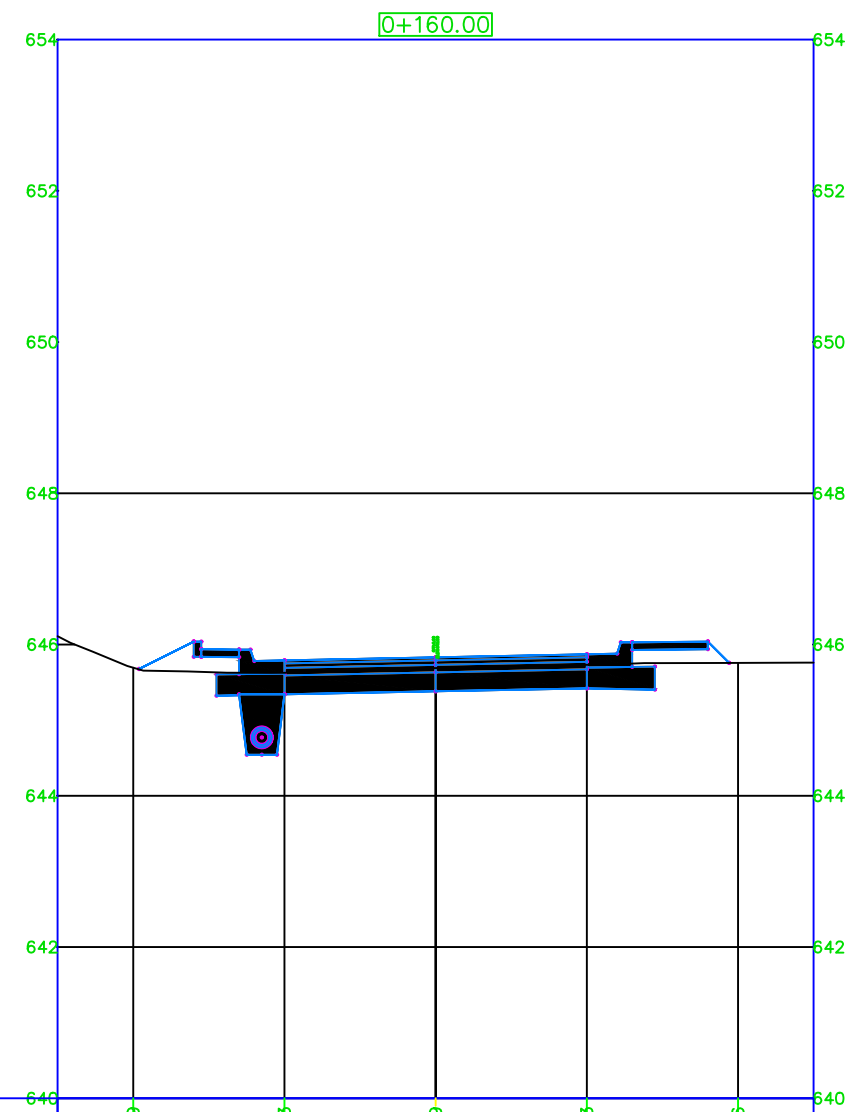
RRUGA E GRUMBULLIMIT  
Peshkopi  
Lagja Gjoke Doçi

Project	Sheet
Profilat terthore	5
Date	16.07.2022
Scale	1:100





EXISTING ELEVATIONS	646.58	645.99	645.92	646.01	646.13
OFFSET	-4.00	-2.00	0	2.00	4.00
PROPOSED ELEVATIONS	646.58	645.99	645.92	646.01	646.13



EXISTING ELEVATIONS	645.69	645.63	645.69	645.73	645.76
OFFSET	-4.00	-2.00	0	2.00	4.00
PROPOSED ELEVATIONS	645.69	645.63	645.69	645.73	645.76

General Notes

No.	Revision/Issue	Date

Firm Name and Address

TRIANGLE SHPK

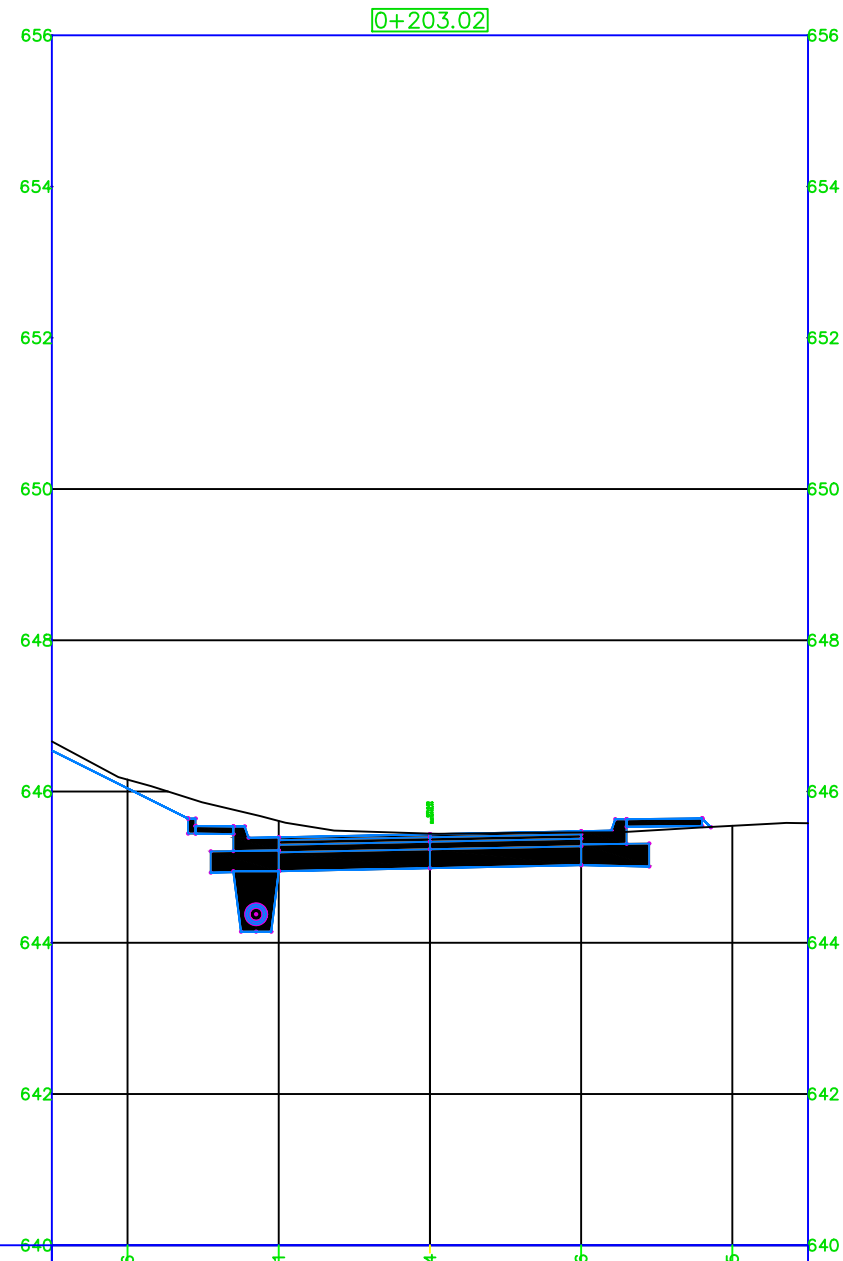
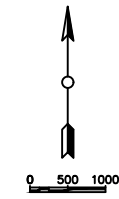
Project Name and Address

RRUGA E GRUMBULLIMIT  
Peshkopi  
Lagja Gjoke Doçi

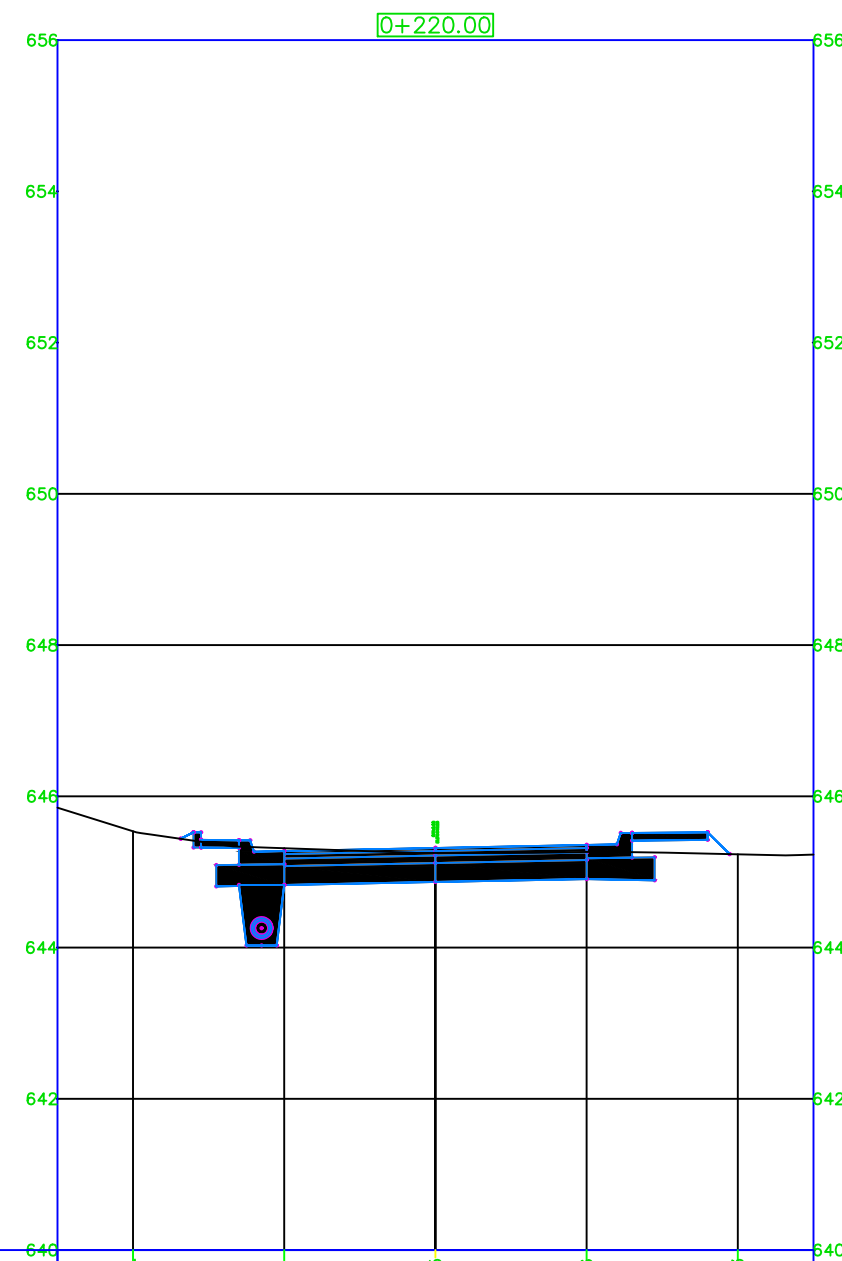
Project	Profilat terthore	Sheet
Date	16.07.2022	6
Scale	1:100	







EXISTING ELEVATIONS	646.16	645.61	645.44	645.46	645.55
OFFSET	-4.00	-2.00	0	2.00	4.00
PROPOSED ELEVATIONS	646.16	645.61	645.44	645.46	645.55



EXISTING ELEVATIONS	645.54	645.31	645.25	645.26	645.23
OFFSET	-4.00	-2.00	0	2.00	4.00
PROPOSED ELEVATIONS	645.54	645.31	645.25	645.26	645.23

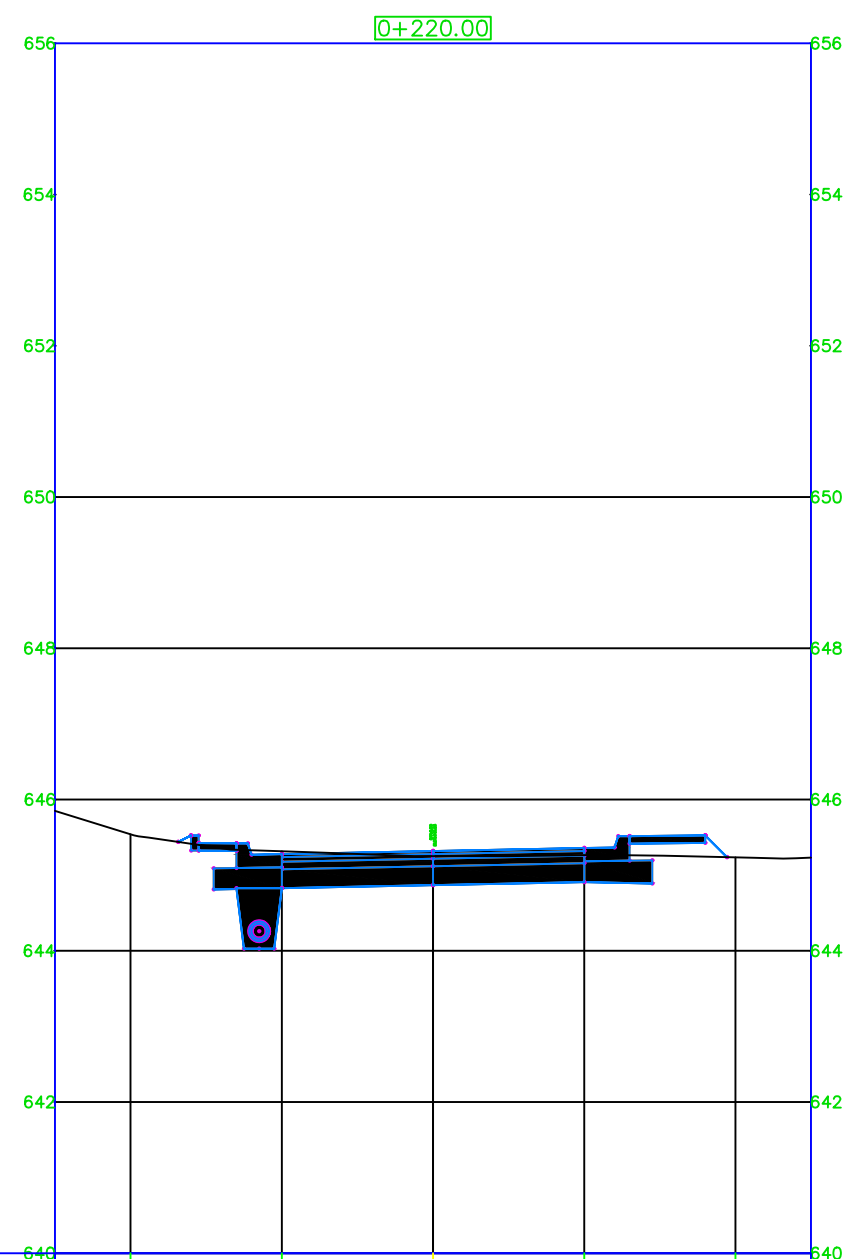
General Notes

No.	Revision/Issue	Date

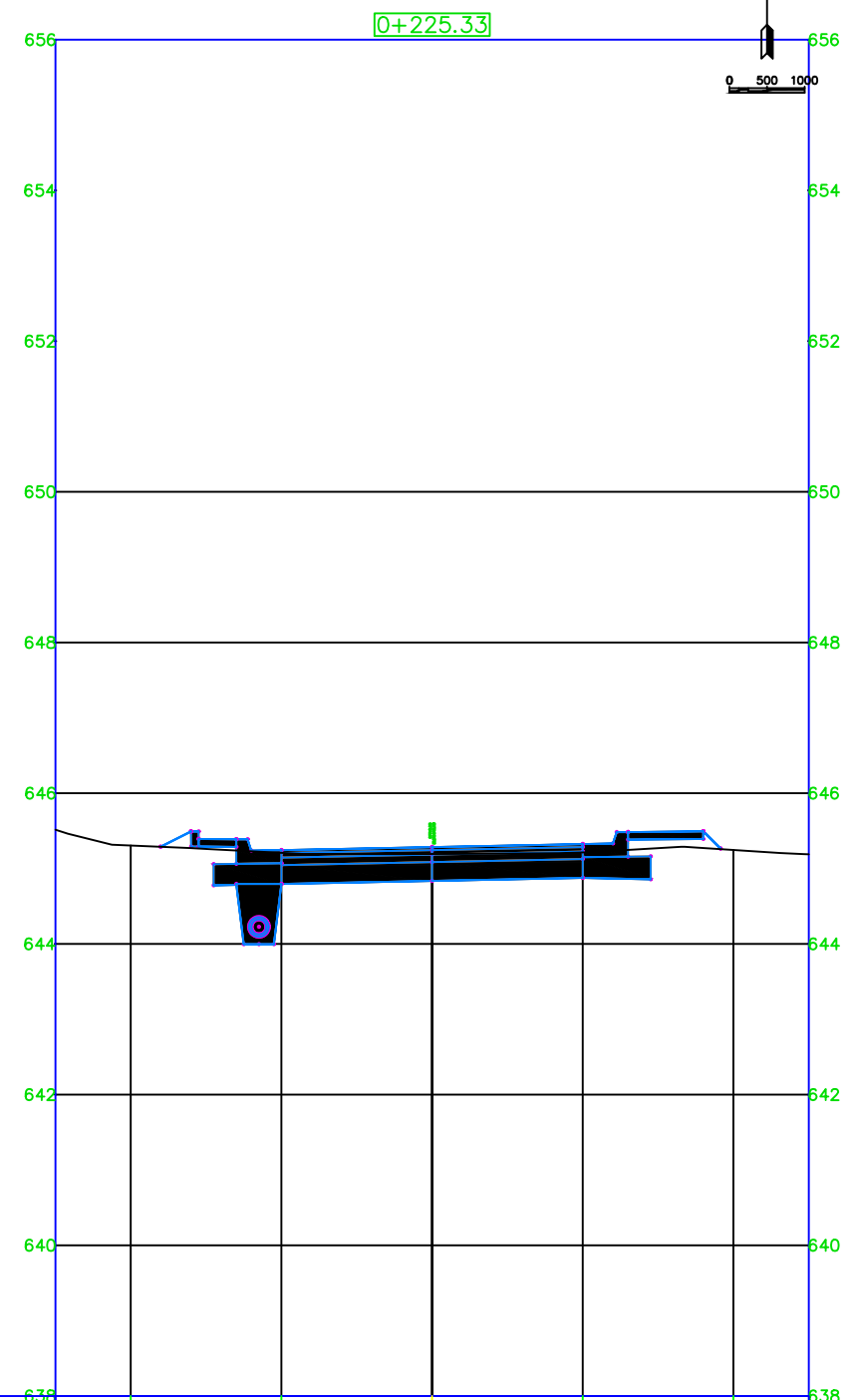


Project Name and Address  
**RRUGA E GRUMBULLIMIT**  
 Peshkopi  
 Lagja Gjoke Doçi

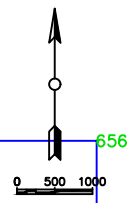
Project	Sheet
Profilat terthore	8
Date	16.07.2022
Scale	1:100



EXISTING ELEVATIONS	645.54	645.31	645.25	645.26	645.23
OFFSET	-4.00	-2.00	0	2.00	4.00
PROPOSED ELEVATIONS	645.54	645.31	645.25	645.26	645.23



EXISTING ELEVATIONS	645.31	645.21	645.19	645.21	645.25
OFFSET	-4.00	-2.00	0	2.00	4.00
PROPOSED ELEVATIONS	645.31	645.21	645.19	645.21	645.25



General Notes

No.	Revision/Issue	Date

Firm Name and Address



Project Name and Address

RRUGA E GRUMBULLIMIT  
Peshkopi  
Lagja Gjoke Doçi

Project

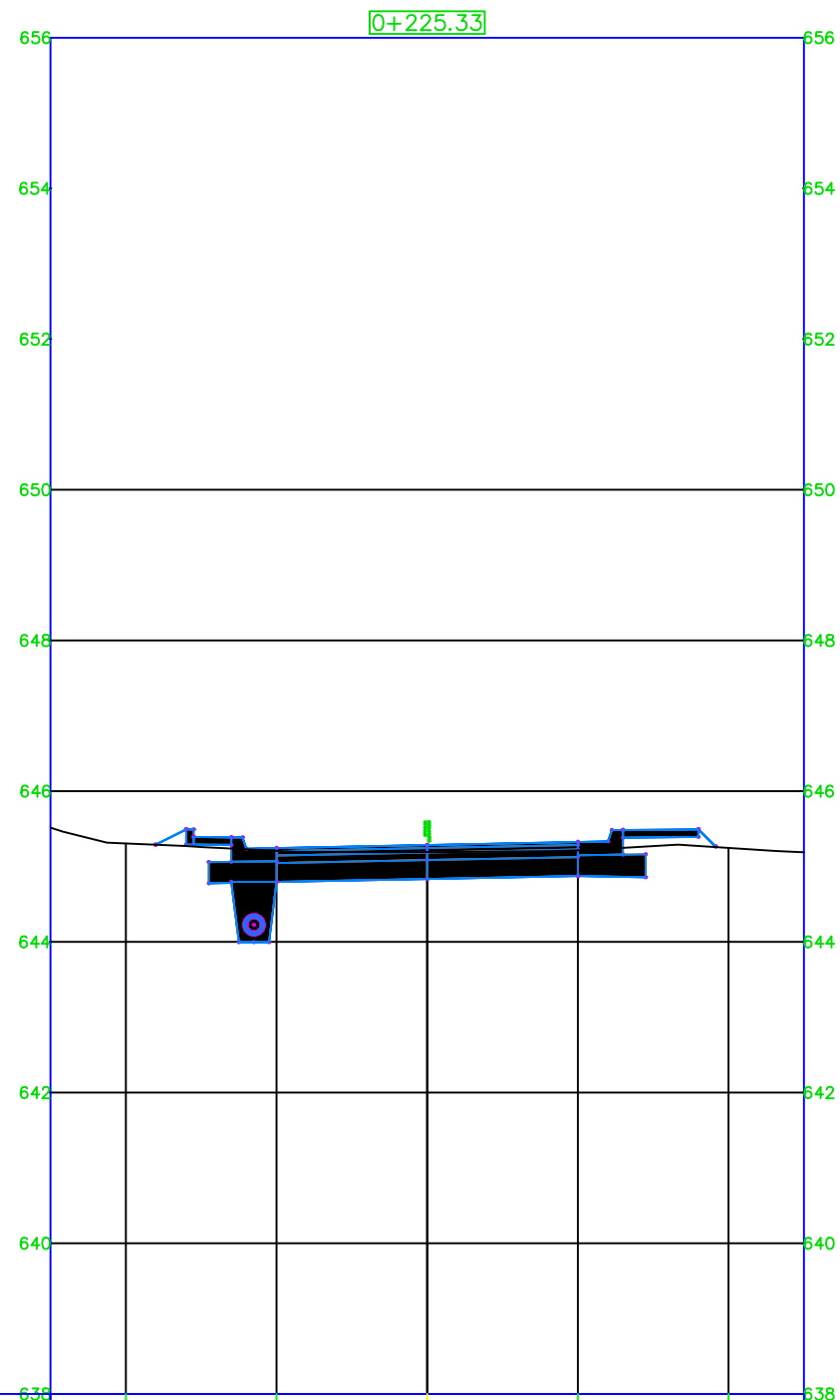
Profilat terthore

Date 16.07.2022

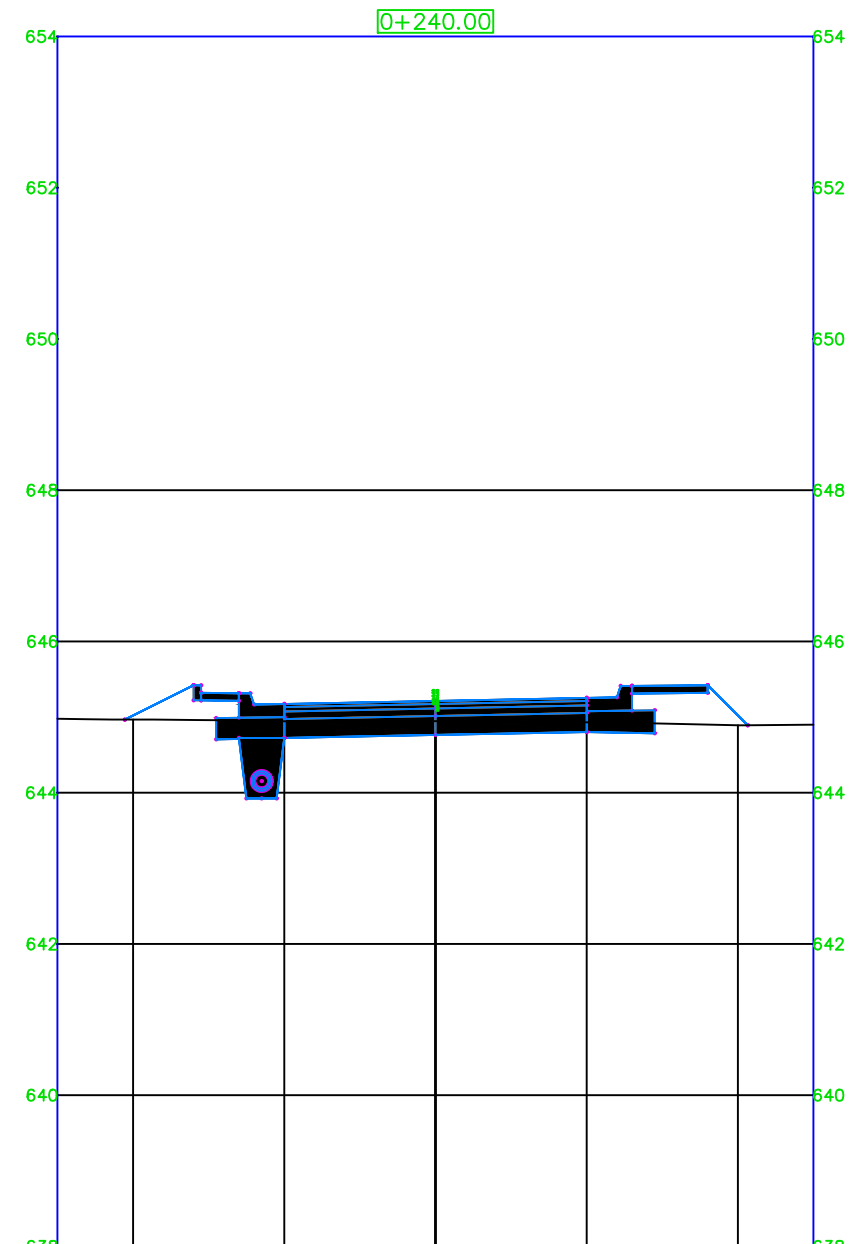
Scale 1:100

Sheet

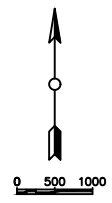
11



EXISTING ELEVATIONS	645.31	645.21	645.19	645.21	645.25
OFFSET	-4.00	-2.00	0	2.00	4.00
PROPOSED ELEVATIONS	645.31	645.21	645.19	645.21	645.25



EXISTING ELEVATIONS	644.97	644.95	644.95	644.97	644.89
OFFSET	-4.00	-2.00	0	2.00	4.00
PROPOSED ELEVATIONS	644.97	644.95	644.95	644.97	644.89



General Notes

No.	Revision/Issue	Date

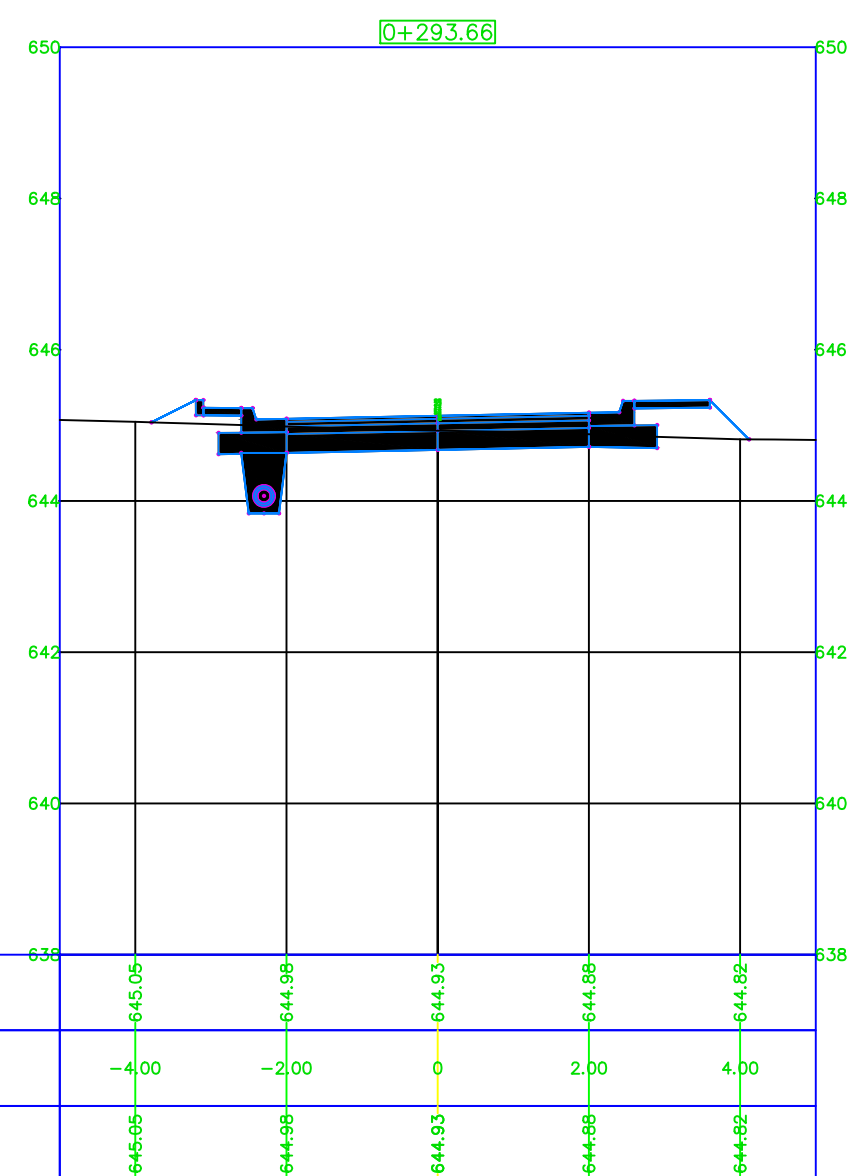
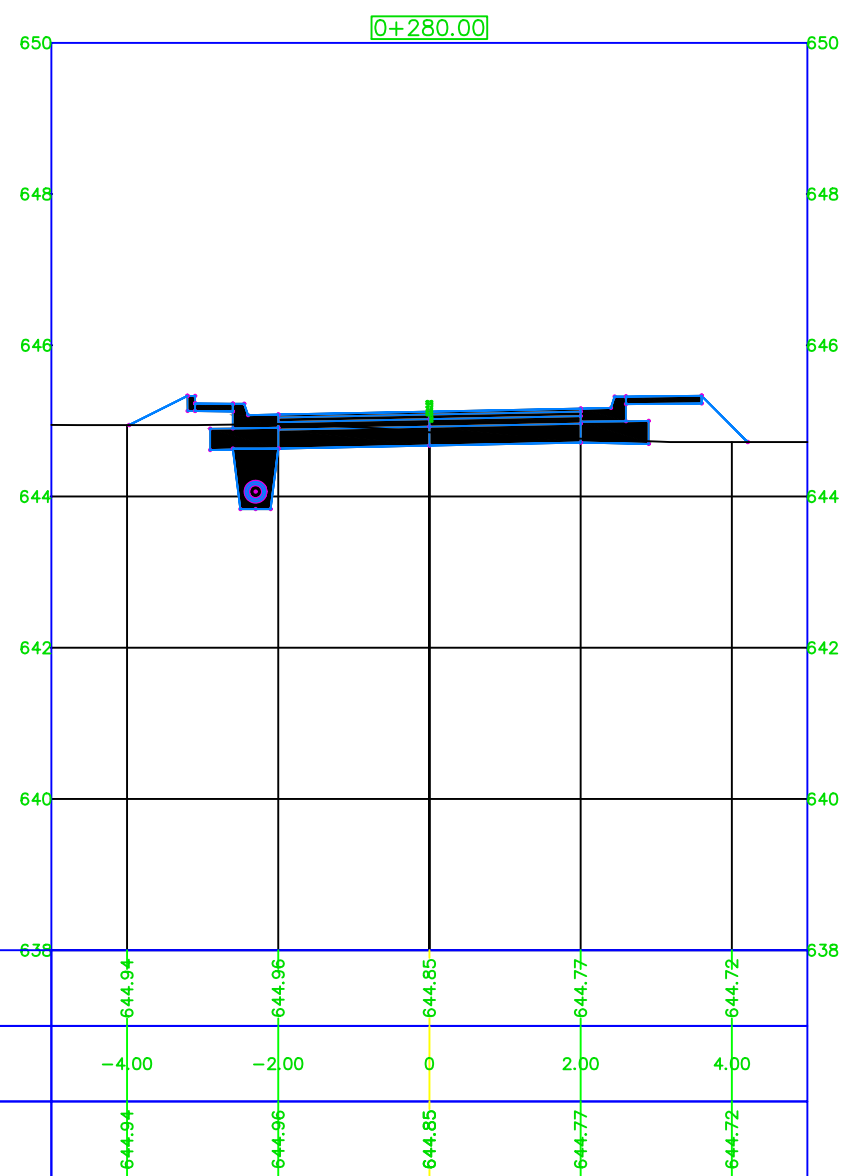
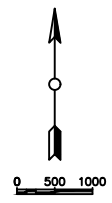
Firm Name and Address

TRIANGLE SHPK

Project Name and Address

RRUGA E GRUMBULLIMIT  
Peshkopi  
Lagja Gjoke Doçi

Project	Sheet
Profilat terthore	9
Date	16.07.2022
Scale	1:100



General Notes

No.	Revision/Issue	Date

Firm Name and Address

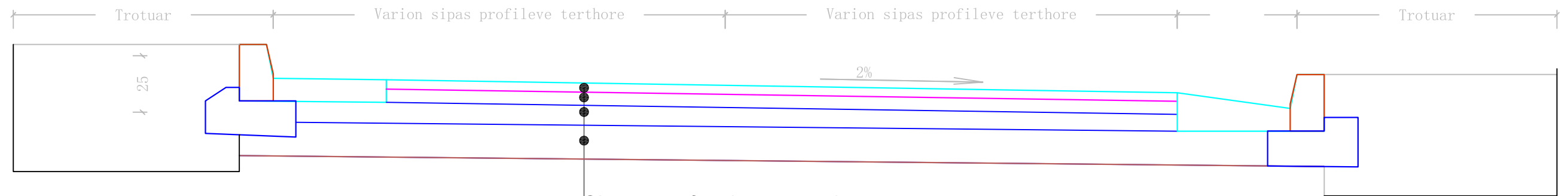
Project Name and Address

RRUGA E GRUMBULLIMIT  
Peshkopi  
Lagja Gjoke Doçi

Project	Sheet
Profilat terthore	10
Date	
16.07.2022	
Scale	1:100



Profil Tip



Shtrese asfaltobetoni t = 4 cm  
 Shtrese Bideri t = 6 cm  
 Stabilizant t = 10 cm  
 Cakull makinerie t = 15 cm

**Porositi :**  
 Bashkia Diber

Adresa: Bulevardi "Elez ISUFI" Peshkopi

**Projektoi:**



Adresa: Karburanti "MEBA 96", Njësia Administrative Melan, Dibër  
 Cel: 0673840009; E-mail: [trianglepmk@gmail.com](mailto:trianglepmk@gmail.com)

Objekti: **Projekt - Zbatim**  
 Sistemit dhe asfaltim I rruges se Grumbullimit

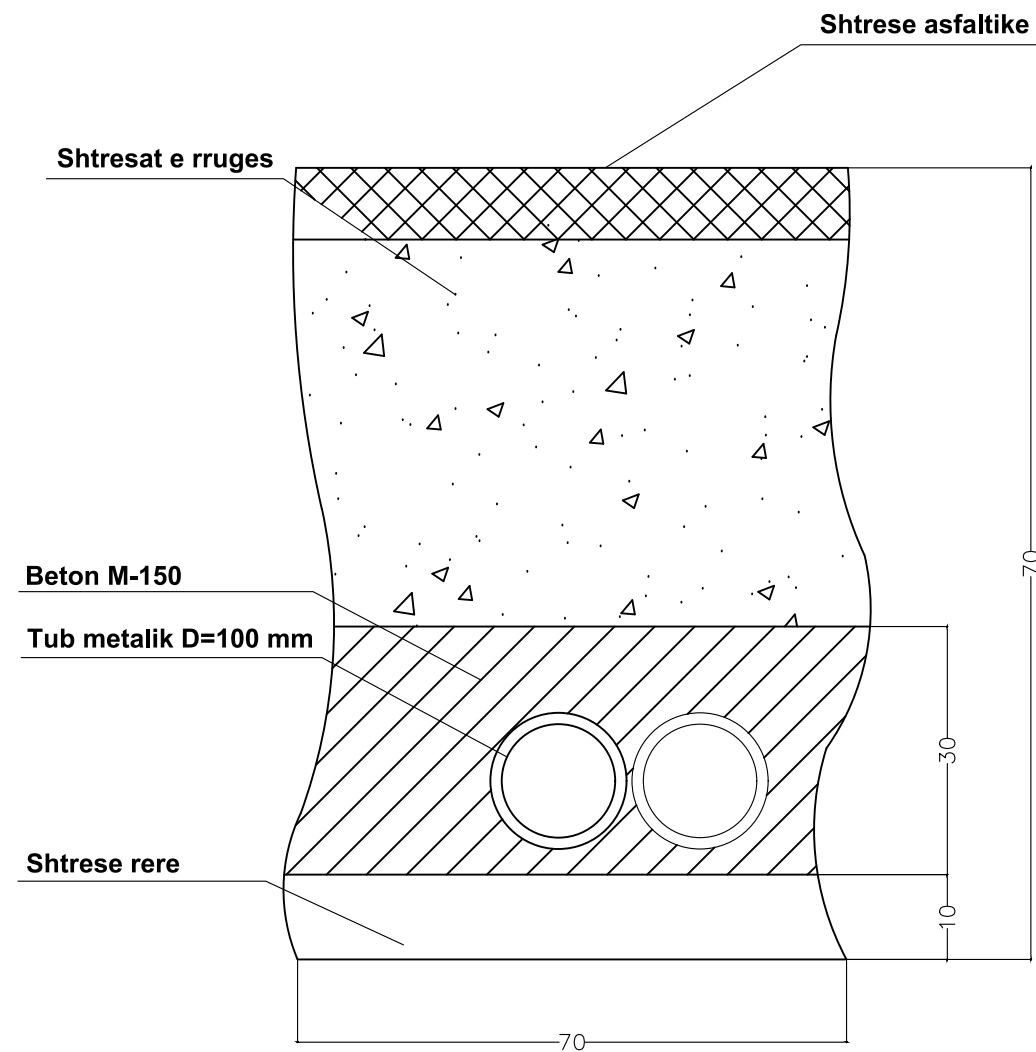
Emertimi:  
 Profil tip

Sh 1:20

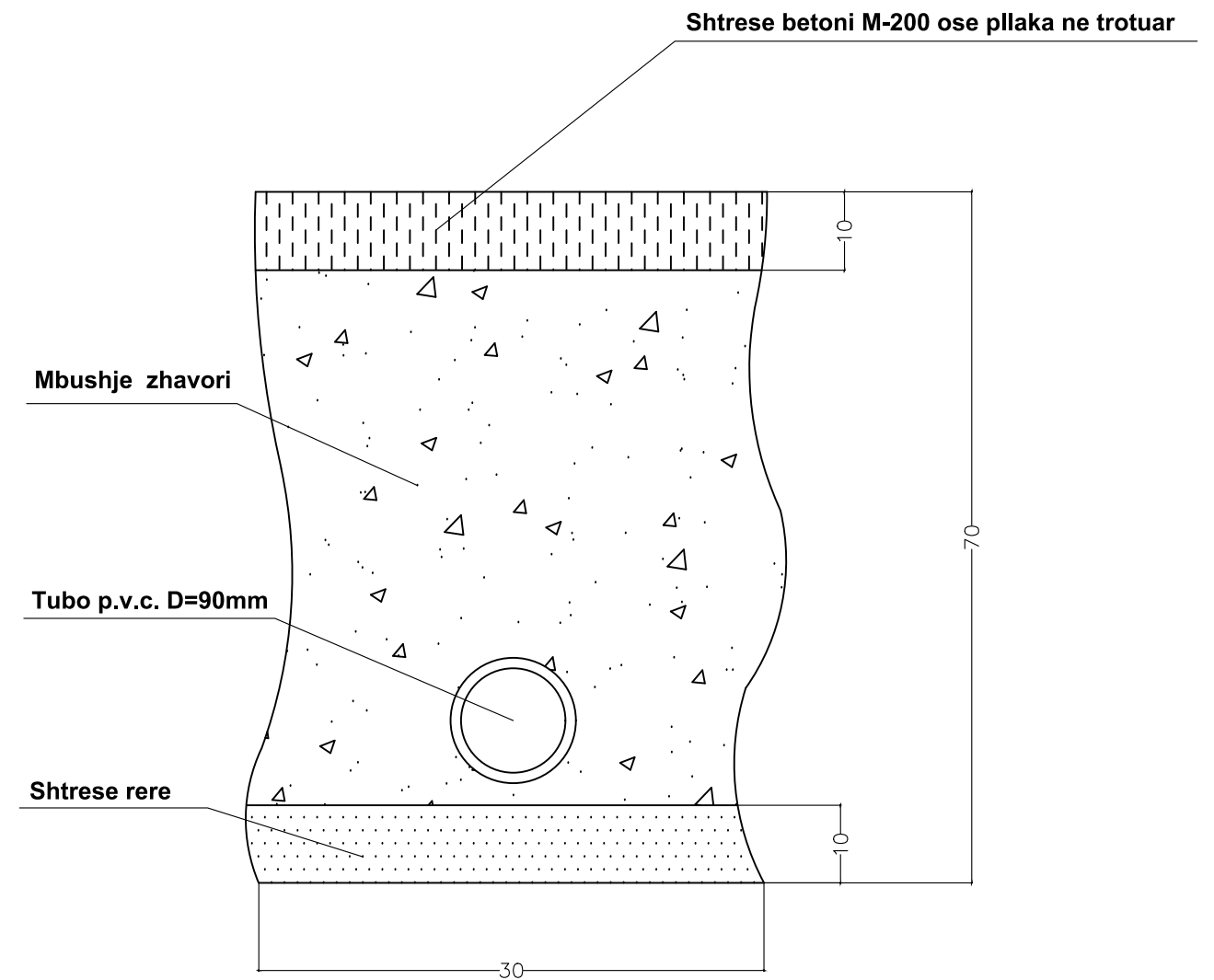
Gusht 2022

Fleta Nr. 7

## DETAJE TE FUTJES SE TUBACIONEVE NE RRUGE



## DETAJE TE FUTJES SE TUBACIONEVE NE TROTUAR



**Porositi :**  
**Bashkia Diber**

Adresa: Bulevardi "Elez ISUFI" Peshkopi

**Projektoi:**



Adresa:  
Karbুরanti "MEBA 96", Njësia Administrative Melan, Dibër  
Cel: 0673840009; E-mail: [trianglepmk@gmail.com](mailto:trianglepmk@gmail.com)

Objekti:

**Projekt - Zbatim**

**Sistemim dhe asfaltim i rruges se Grumbullimit**

Emertimi:

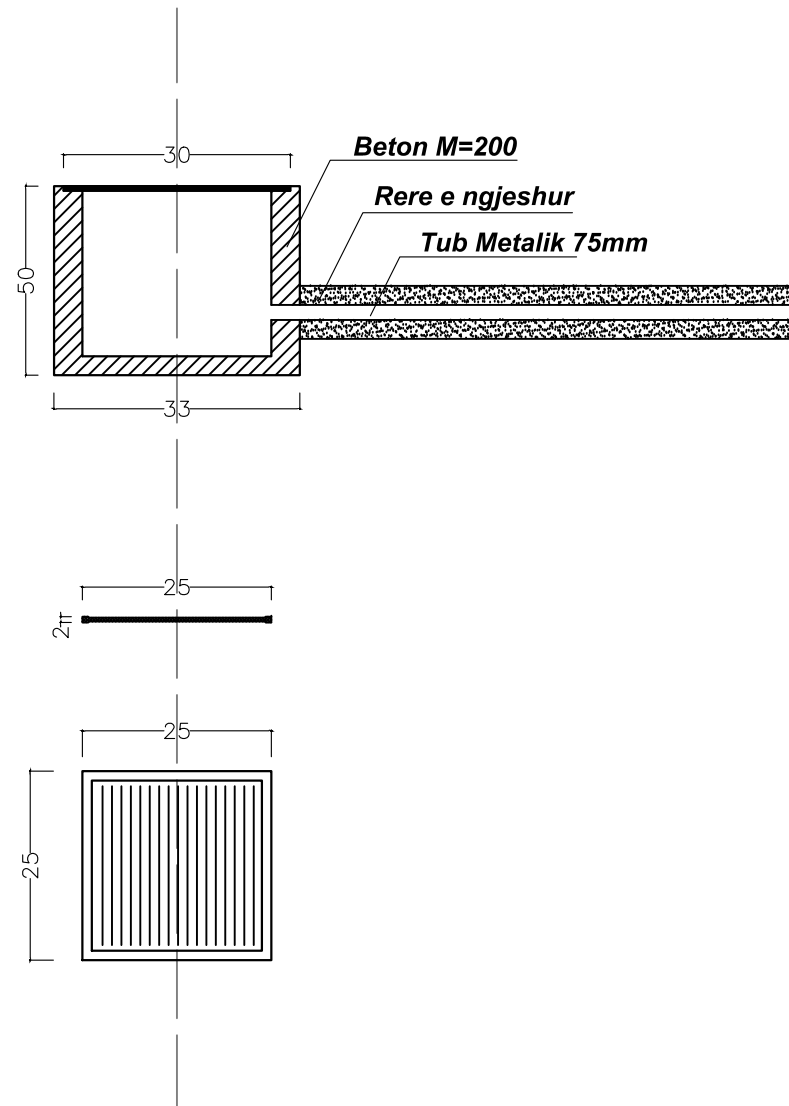
Detaje te realizimit te kanaleve te linjave te ndricimit

Sh 1:10

Gusht 2022

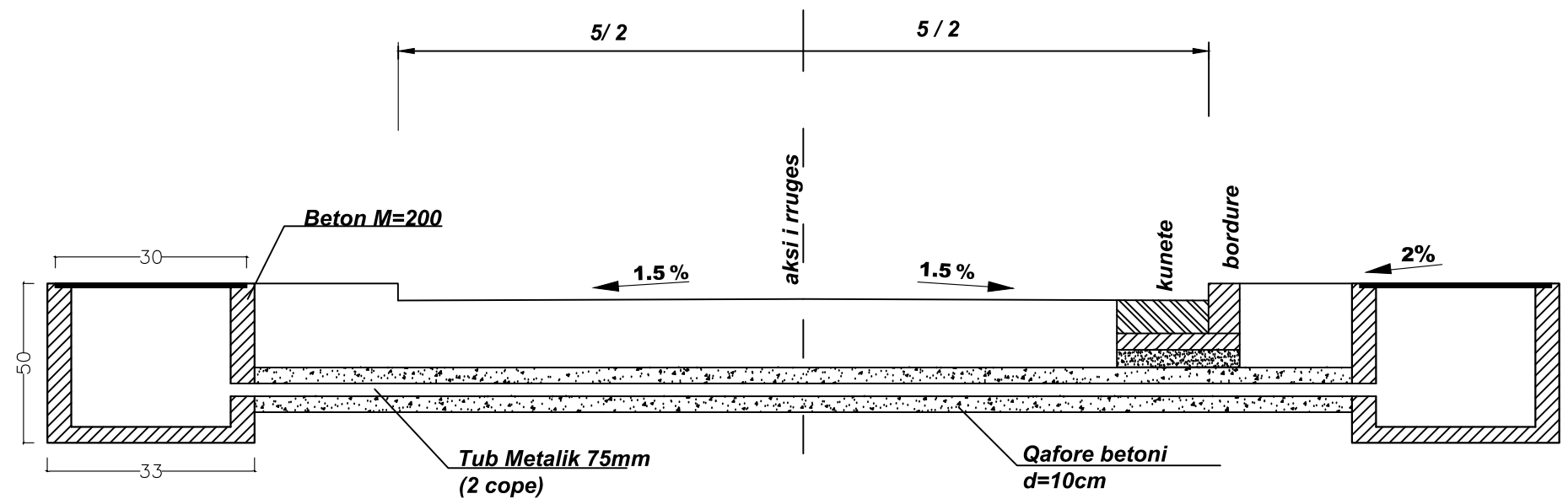
Fleta Nr. 1

## Prerje e kapakut prej gize



## Kapaku i pusetes prej gize

## Prerje e vendosjes se pusetave prej betoni



## SHENIME :

- Gjate realizimit te inspektimeve kuota e vendosjes se pusetave prej gize mund te ndryshoje sipas rastit
- Tubi mund te vendoset ne nje pjerresi te lehte sipas nevojes,por gjithnje thellesia e vendosjes duhet te jete me e vogel se H=70cm nga sip. e asfaltit

**Porositi :**  
Bashkia Diber

Adresa: Bulevardi "Elez ISUFI" Peshkopi

**Projektoi:**



Adresa: Karburanti "MEBA 96", Njësia Administrative Melan, Dibër  
Cel: 0673840009; E-mail: [trianglepmk@gmail.com](mailto:trianglepmk@gmail.com)

Objekti: **Projekt - Zbatim**  
**Sistemim dhe asfaltim i rruges se Grumbullimit**

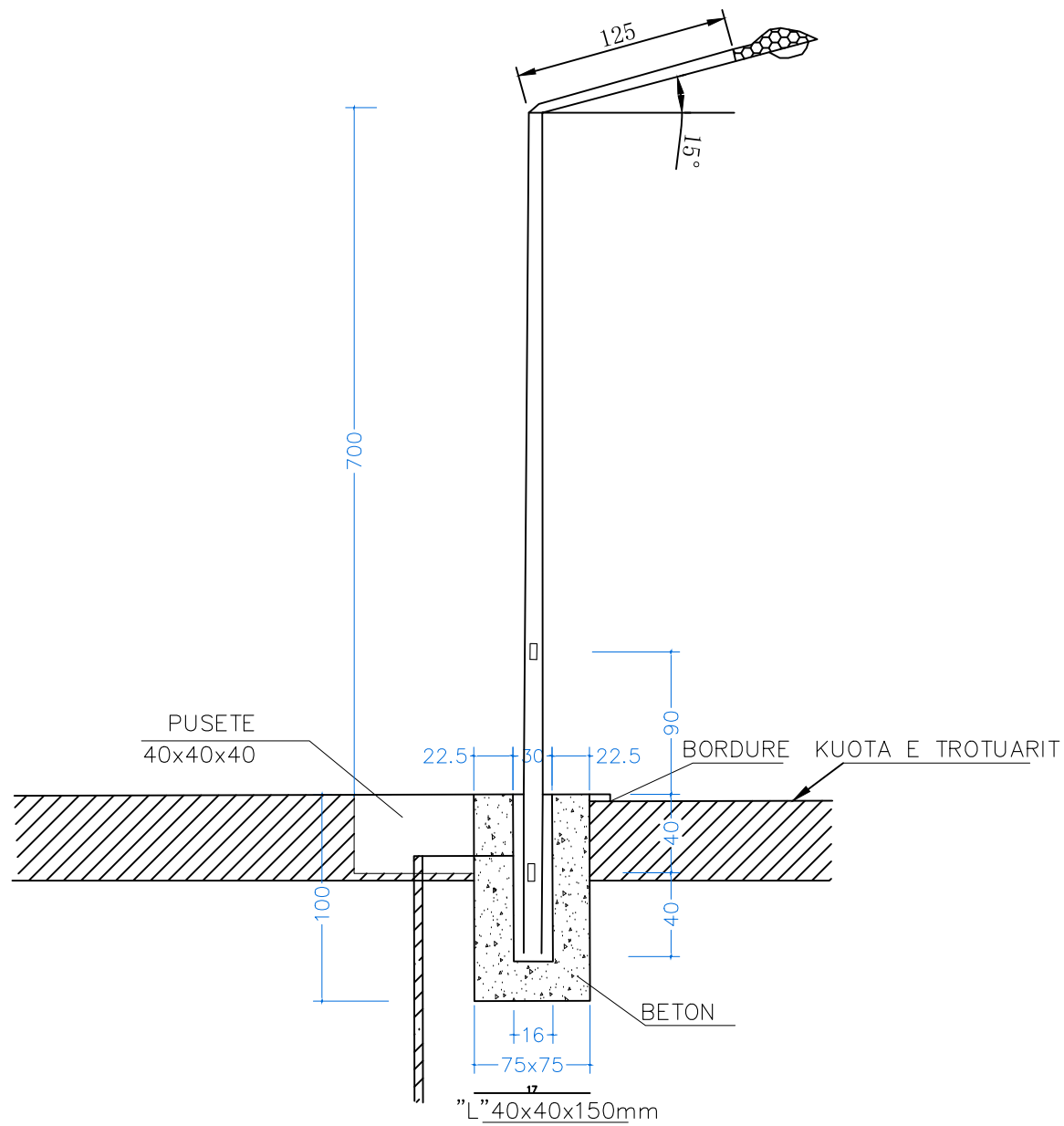
Emertimi:  
*Detaje te realizimit te pusetave*

Sh 1:10

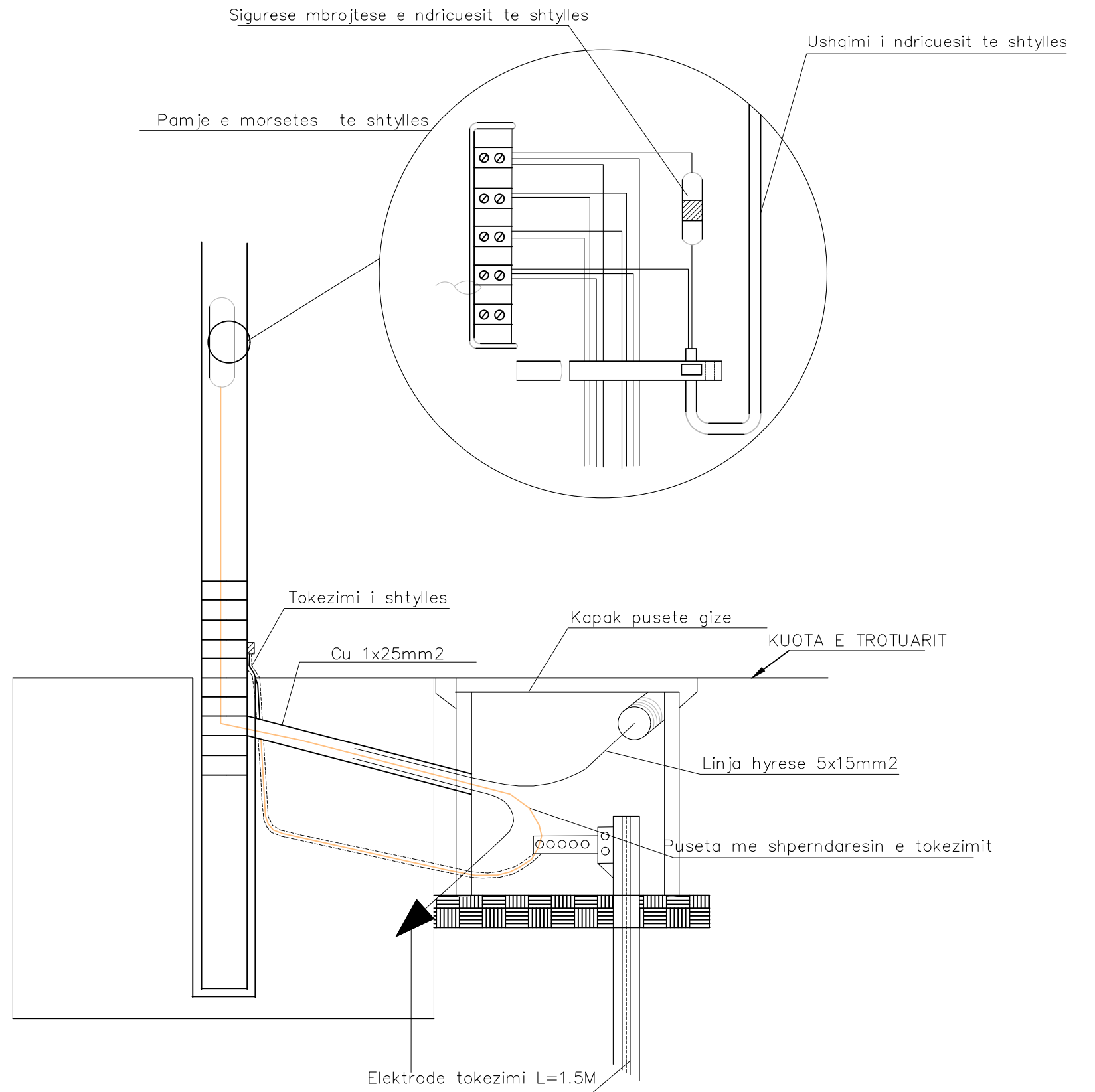
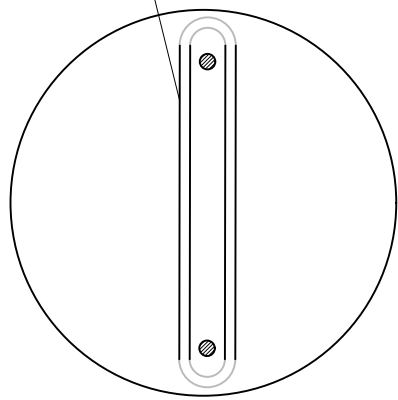
Gusht 2022

Fleta Nr. 2

# SHTYLLE ELEKTRIKE ME PUSETE NE TOKE ME LIDHJE EKUIPOTENCIALE DHE MORSETERIA E LINJES SE NDRICIMIT



Kapaku i morsetes



**Porositi :**  
**Bashkia Diber**

Adresa: Bulevardi "Elez ISUFI" Peshkopi

**Projektoi:**



Adresa: Karburanti "MEBA 96", Njësia Administrative Melan, Dibër  
Cel: 0673840009; E-mail: [trianglepmk@gmail.com](mailto:trianglepmk@gmail.com)

Objekti:

**Projekt - Zbatim**

**Sistemim dhe asfaltim i rruges se Grumbullimit**

Emertimi:

**Detaje te realizimit te ndricimit**

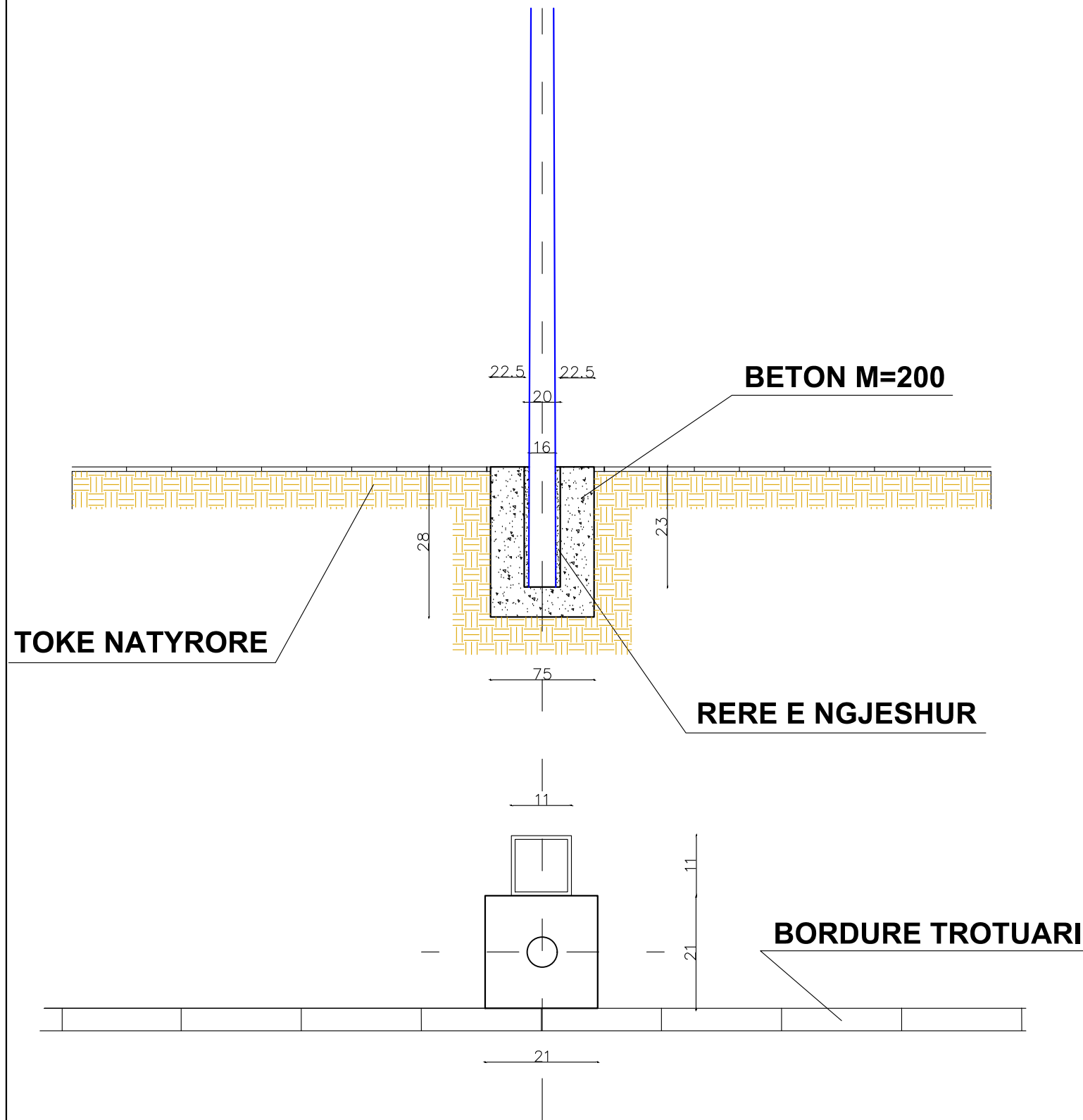
Sh 1:10

Gusht 2022

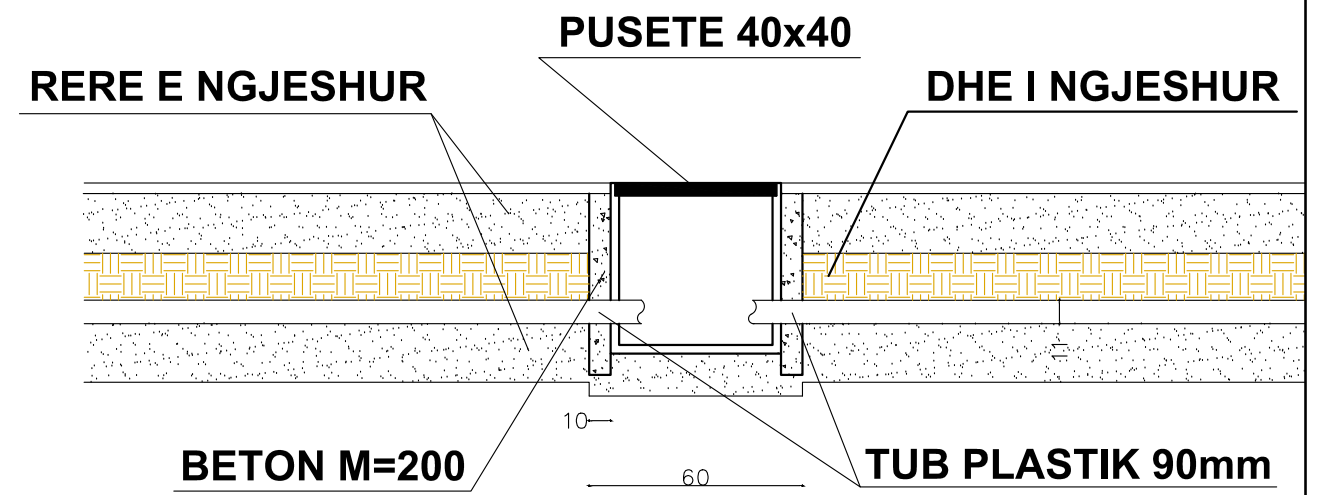
Fleta Nr. 3



Hollesi e inkastrimit te kollones se ndricuesit



Hollesi e vendosjes se pusetes



Porositi :  
Bashkia Diber

Adresa: Bulevardi "Elez ISUFI" Peshkopi

Projektoi:



Adresa:  
Karburanti "MEBA 96", Njësia Administrative Melan, Dibër  
Cel: 0673840009; E-mail: [trianglepmk@gmail.com](mailto:trianglepmk@gmail.com)

Objekti:

Projekt - Zbatim

Sistemim dhe asfaltim i rruges se Grumbullimit

Emertimi:

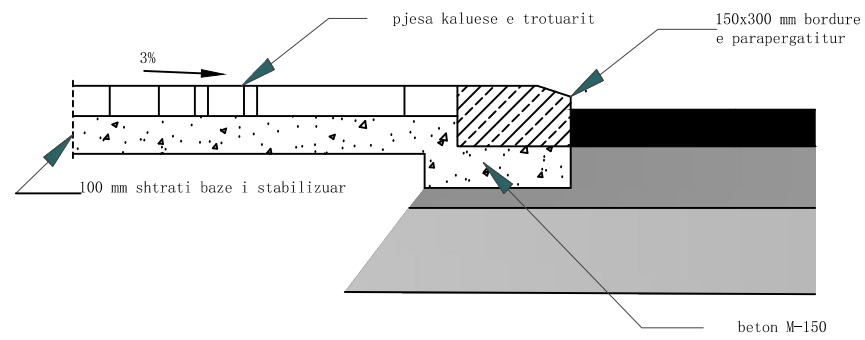
Detaje te realizimit te ndricimit

Sh 1:25

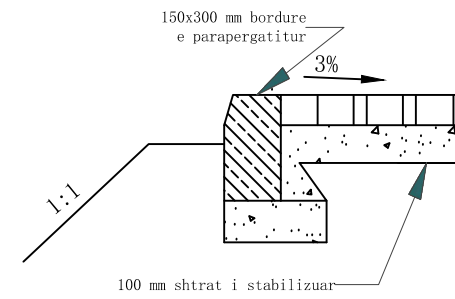
Gusht 2022

Fleta Nr. 4

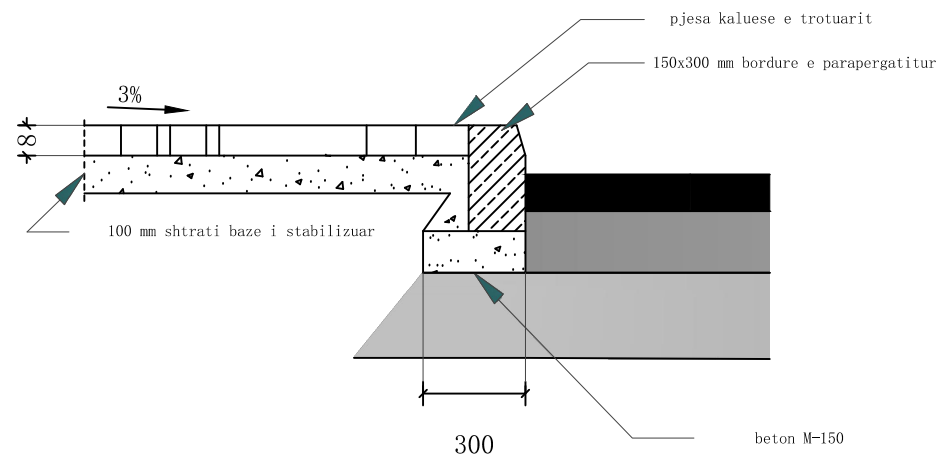
DETAJE TE TROTUARIT KU KERKOHET KALIMI I MJETEVE



DETAJE TE TROTUARIT NE ANEN E JASHTME TE TIJ



DETAJE TE TROTUARIT KU NUK KERKOHET KALIMI I MJETEVE



**Porositi :**  
**Bashkia Diber**

Adresa: Bulevardi "Elez ISUFI" Peshkopi

**Projektoi:**



Adresa: Karburanti "MEBA 96", Njësia Administrative Melan, Dibër  
Cel: 0673840009; E-mail: [trianglepmk@gmail.com](mailto:trianglepmk@gmail.com)

Objekti:

**Projekt - Zbatim**

**Sistemim dhe asfaltim i rruges se Grumbullimit**

Emertimi:

*Detaje te realizimit te trotuareve*

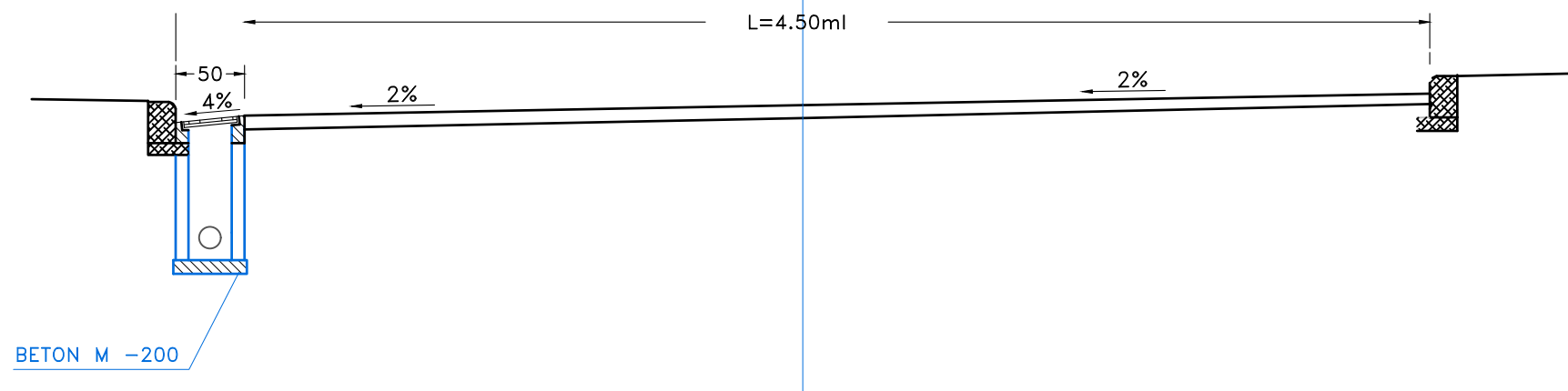
Sh 1:10

Gusht 2022

Fleta Nr. 5

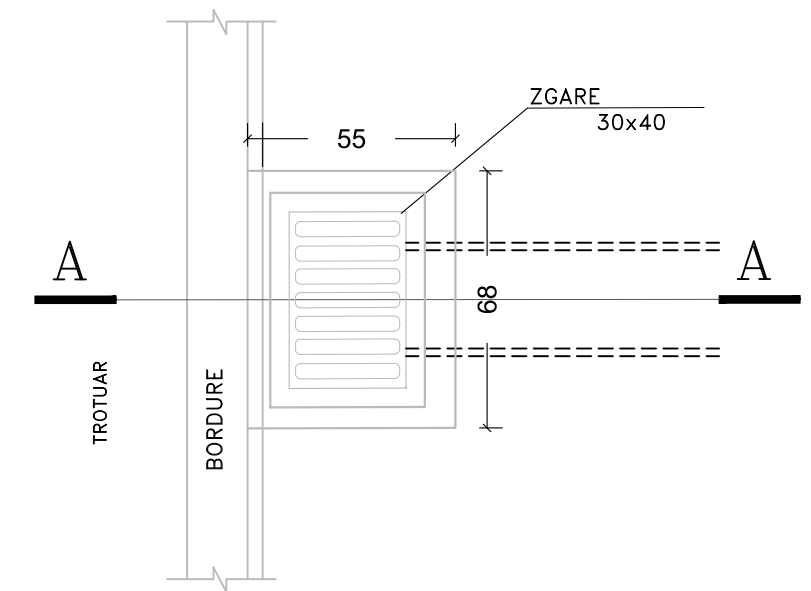
# PRERJA GJATESORE

SHK. 1:50



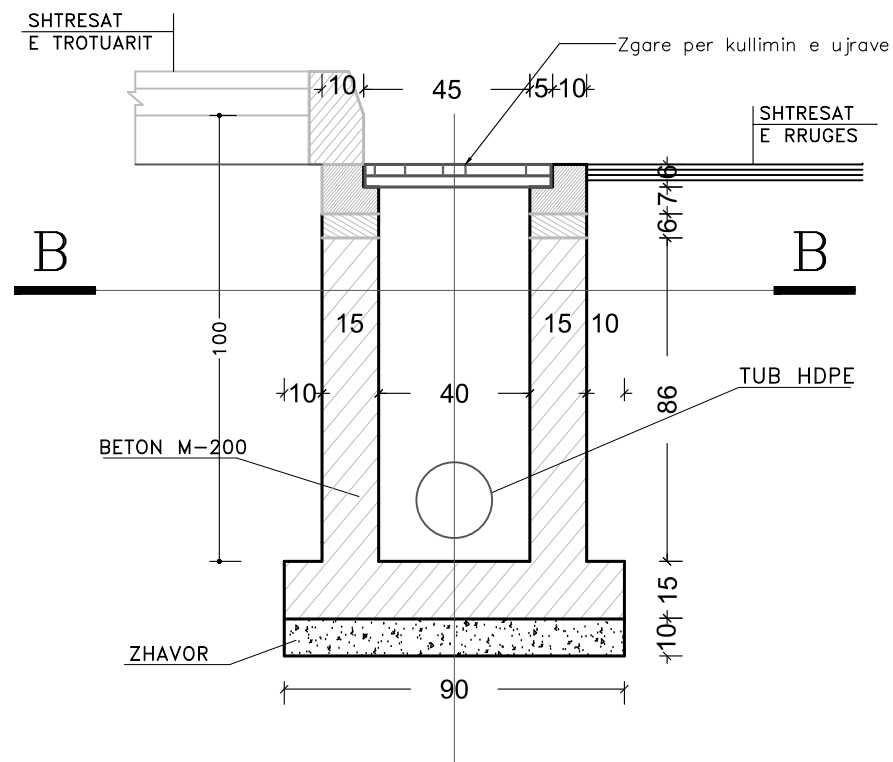
# PAMJE NGA LART

SHK. 1:20



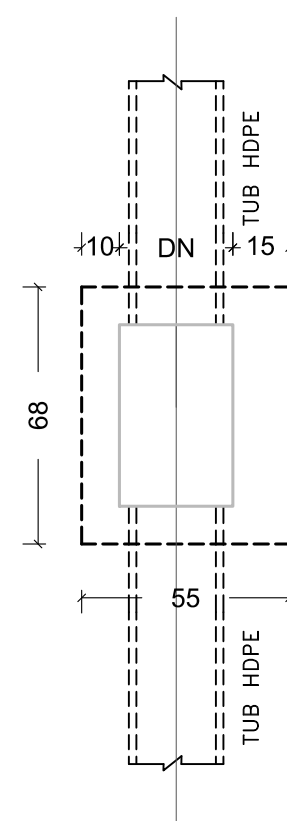
# PRERJA A-A

SHK. 1:20



# PRERJA B-B

SHK. 1:20



Porositi :  
Bashkia Diber

Adresa: Bulevardi "Elez ISUFI" Peshkopi

Projektoi:



Adresa:  
Karburanti "MEBA 96", Njësia Administrative Melan, Dibër  
Cel: 0673840009; E-mail: [trianglepmk@gmail.com](mailto:trianglepmk@gmail.com)

Objekti:

Projekt - Zbatim

Sistemim dhe asfaltim i rruges se Grumbullimit

Emertimi:

Detaje te realizimit te pusetave te UB

Sh 1:20

Gusht 2022

Fleta Nr. 6